

Transport technology / Platform superstructures / Tipper systems

Tipper systems

Hydraulic and air brake systems and accessories

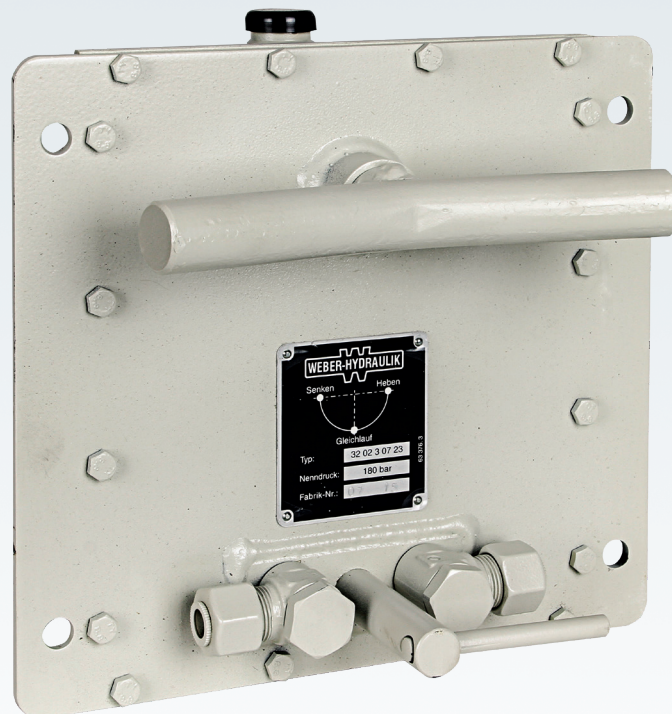


Table of Contents

Chapter	Product category		Page
	Accessories	Tipper bridge bearings	19.01.01.1
		Pivot ball bearings	19.01.01.2
		Tipper arm bearings	19.01.01.4
		Tipper supports	19.01.01.5

Product Index

Numeric

Article No.	Pg.	Article No.	Pg.
207 450 000	19.01.01.3	207 580 000	19.01.01.5
207 451 000	19.01.01.3	207 583 000	19.01.01.5
207 452 000	19.01.01.3		
207 453 000	19.01.01.3		
207 454 000	19.01.01.3		
207 456 000	19.01.01.3		
207 457 000	19.01.01.3		
207 462 000	19.01.01.3		
207 463 000	19.01.01.3		
207 465 000	19.01.01.3		
207 466 000	19.01.01.3		
207 467 000	19.01.01.3		
207 468 000	19.01.01.3		
207 469 000	19.01.01.3		
207 473 000	19.01.01.2		
207 473 000	19.01.01.3		
207 474 000	19.01.01.3		
207 475 000	19.01.01.3		
207 477 000	19.01.01.3		
207 478 000	19.01.01.3		
207 479 000	19.01.01.3		
207 479 000	19.01.01.4		
207 480 000	19.01.01.2		
207 480 000	19.01.01.3		
207 481 000	19.01.01.3		
207 485 000	19.01.01.2		
207 485 000	19.01.01.3		
207 486 000	19.01.01.3		
207 487 000	19.01.01.3		
207 491 000	19.01.01.3		
207 493 000	19.01.01.2		
207 493 000	19.01.01.3		
207 494 000	19.01.01.2		
207 495 000	19.01.01.2		
207 497 000	19.01.01.4		
207 498 000	19.01.01.4		
207 566 000	19.01.01.1		
207 567 000	19.01.01.1		
207 568 000	19.01.01.1		
207 570 000	19.01.01.5		
207 571 000	19.01.01.5		
207 572 000	19.01.01.5		
207 574 000	19.01.01.5		

Tipper bridge bearings

“POLYP” tipper bridge bearings

- Elastic tipper bridge bearing for double and triple sided tipper trailers, tipper trucks and all types of rear tippers
- Installing the “POLYP” safety gear gives the tipping body an elastic support
- The “POLYP” safety gear can also be used to hold the mechanism down and prevents the tipping body from bouncing up and down especially during empty tours on bad or uneven roads
- Depending on the size of the vehicle, between 2 and 4 “POLYP” tipper bridge bearings will be needed

Material:	Rubber impact shield All other parts made of untreated steel
Weight:	207 566 000 - approx. 1.0 kg/each 207 567 000 - approx. 1.1 kg/each 207 568 000 - approx. 0.8 kg/each
Article No.	207 566 000 - Elastic impact shield with hollow screw 207 567 000 - Cone-shaped bearing shell with tapered pin 207 568 000 - Lower bearing shell



207 567 000

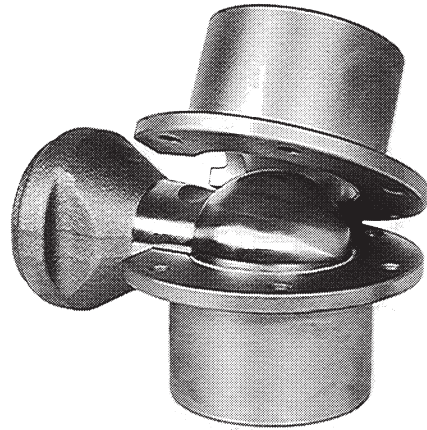


207 566 000
207 568 000

Pivot ball bearings

Pivot ball bearings

- For rear-tipping tipper trucks, rear-tipping tipper trailers rear-tipping semi-trailers up to a maximum weight of 36 t
- Includes sturdy, drop-forged ball as well as upper/lower pivot bearing sections with bolted-in Durethane shell - the ideal pivot bearing for all types of reverse tipper
- Thanks to the bolted-in Durethane shell, the pivot ball bearing runs wear-free throughout its long service life
- The tight-fitting screw fastener on the pivot ball bearing prevents all forms of dirt particles getting through



Description	Weight approx. [kg/each]	Article No.
Type 5000, 80 mm bearing for max. weight of 24 t		
Welded-on ball ø 80 mm, round pin ø 106 mm	5.98	207 473 000
Pivot ball bearing 80 mm, complete	6.07	207 494 000
Supplied loose for use as spare parts:	0.10	207 480 000
Replaceable plastic insert (Durethane) for 80 mm bearing		
Type 6000, 100 mm bearing for max. weight of 36 t		
Welded-on ball ø 100 mm, round pin ø 120 mm	9.8	207 485 000
Pivot ball bearing 100 mm, complete	10.2	207 495 000
Supplied loose for use as spare parts:	0.2	207 493 000
Replaceable plastic insert (Durethane) for 100 mm bearing		

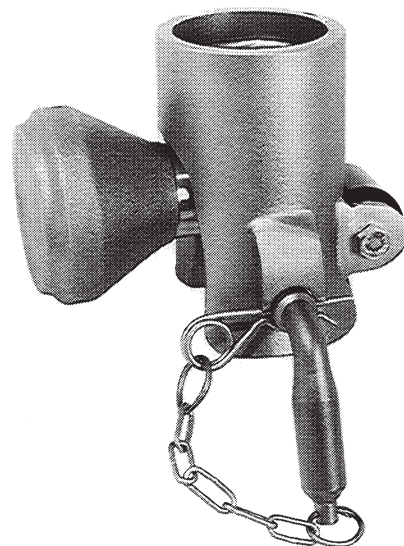
Pivot ball bearings

For agricultural tippers, tipper trucks, tipper trailers, tipper semi-trailers up to a maximum weight of 36 t

Outstanding benefits

- Built-in noise damping
- Easy installation
- Logical, maintenance-free design
- Drop-forged component
- Robust, cost-effective design based on high-quality materials
- Wear-resistant bearing materials
- Weight advantages incorporated into the design
- Max. tipping angle of up to 50°

For a detailed overview and article numbers, please see next page.



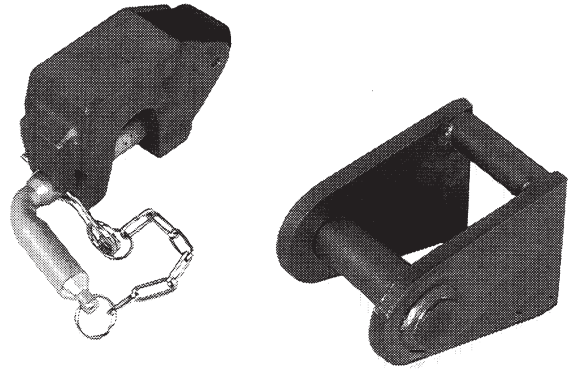
Pivot ball bearings

Description	Weight approx. [kg/each]	Article No.
Type 1000, ball ø 45 mm, up to 8 t total weight for agricultural vehicles and lightweight tipper mechanisms		
Welded-on ball ø 45 mm, round pin ø 45 mm	0.96	207 450 000
Pivot bearing with replaceable plastic insert, left	0.64	207 451 000
Pivot bearing with replaceable plastic insert, right	0.64	207 452 000
Locking pin with chain and cotter pin, ø 16 mm, smooth	0.31	207 453 000
Supplied loose for use as spare parts:		
Replaceable plastic insert (Durethane) for 45 mm bearing	-	207 454 000
Type 2000, ball ø 60 mm, up to 12 t total weight for tipper trucks and tipper trailers		
Welded-on ball ø 60 mm, round pin ø 65 mm	2.19	207 456 000
Welded-on ball ø 60 mm, rectangular pin ø 81 mm	2.19	207 457 000
Pivot ball bearing ø 60 mm, with replaceable plastic insert, with noise damping, hole 19/19 mm, left	1.79	207 462 000
Pivot ball bearing ø 60 mm, with replaceable plastic insert, with noise damping, hole 19/19 mm, right	1.79	207 463 000
Pivot ball bearing ø 60 mm, with replaceable plastic insert, with noise damping, hole 20/18 mm	1.82	207 465 000
Locking pin with chain and cotter pin, shaft ø 19 mm, smooth	0.50	207 466 000
Locking pin with chain and cotter pin, shaft ø 20/18 mm, offset	0.52	207 467 000
Supplied loose for use as spare parts		
Replaceable plastic insert (Durethane) for 60 mm bearing	0.10	207 468 000
Noise-damping roller (Vulkollan), 50 x 20 x 18 mm	0.10	207 469 000
Type 3000, ball ø 80 mm, up to 24 t total weight for tipper trucks, tipper trailers and tipper semi-trailers		
Welded-on ball ø 80 mm, pin ø 106 mm	5.98	207 473 000
Pivot ball bearing ø 80 mm, with replaceable plastic insert, with noise damping, hole 24/24 mm, left	3.88	207 474 000
Pivot ball bearing ø 80 mm, with replaceable plastic insert, with noise damping, hole 24/24 mm, right	3.88	207 475 000
Pivot ball bearing ø 80 mm, with replaceable plastic insert, with noise damping, hole 25/22 mm	3.85	207 477 000
Locking pin with chain and cotter pin, shaft ø 24 mm, smooth	0.87	207 478 000
Locking pin with chain and cotter pin, shaft ø 25/22 mm, offset	0.88	207 479 000
Supplied loose for use as spare parts		
Replaceable plastic insert (Durethane) for 80 mm bearing	0.10	207 480 000
Noise-damping roller (Vulkollan), 50 x 42 x 18 mm	0.10	207 481 000
Type 4000, ball ø 100 mm, up to 36 t total weight for tipper trucks, tipper trailers and tipper semi-trailers		
Welded-on ball ø 100 mm, pin ø 120 mm	9.80	207 485 000
Pivot ball bearing ø 100 mm, with replaceable plastic insert, with noise damping, hole 30/30 mm	6.72	207 486 000
Pivot ball bearing ø 100 mm, with replaceable plastic insert, with noise damping, hole 30/30 mm	6.72	207 487 000
Locking pin with chain and cotter pin, shaft ø 30 mm, smooth	1.40	207 491 000
Supplied loose for use as spare parts		
Replaceable plastic insert (Durethane) for 100 mm bearing	0.20	207 493 000
Noise-damping roller (Vulkollan), 50 x 42 x 18 mm	0.10	207 481 000

Tipper arm bearings

Tipper arm bearing type 8000

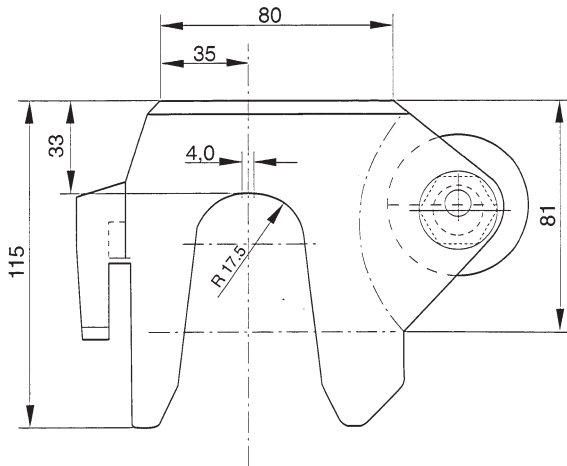
- With noise damping and lateral length compensation for use on tipper bodies with a gross vehicle weight of up to 28 t that only tip backwards or to one side
- Can be combined with pivot ball bearing \varnothing 80 mm, Article No. 207 474 / 475, in left-/right-hand configuration
- Also available to order with gross vehicle weight of up to 40 t



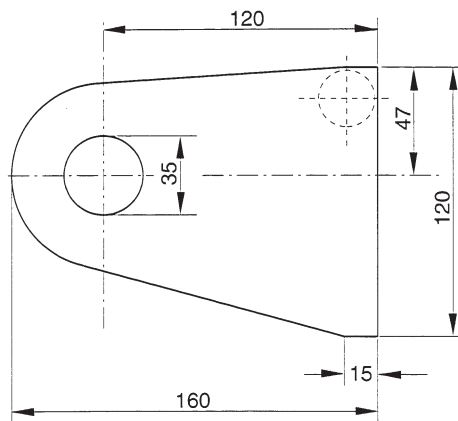
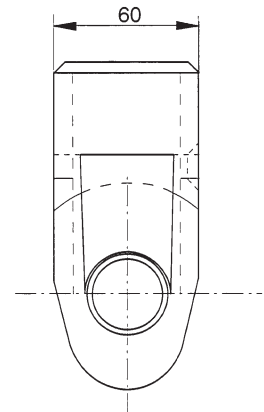
Material: Forged steel

Weight: 207 479 000 - approx. 0.88 kg/each
 207 498 000 - approx. 3.55 kg/each
 207 497 000 - approx. 3.85 kg/each

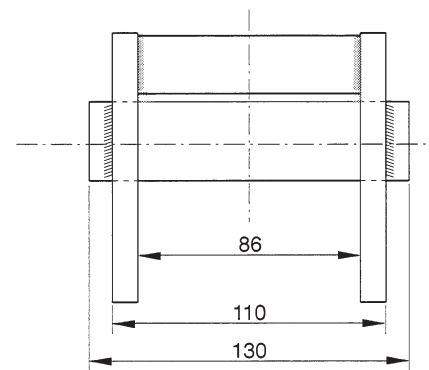
Article No. 207 479 000 - Locking pin, shaft \varnothing 25/22 mm, offset
 207 498 000 - Tipper arm bearing, hole 24/24 mm
 207 497 000 - Tipper arm yoke



207 498 000



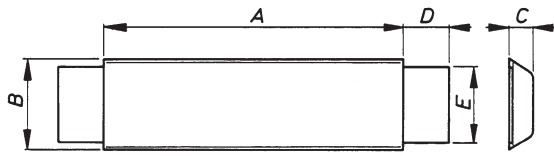
207 497 000



All technical specifications contained in this brochure are approximate and no guarantee is given as to their accuracy. Designs are subject to change.

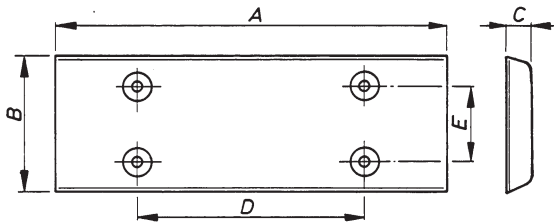
Tipper support

Weld-on plastic rail for tipplers



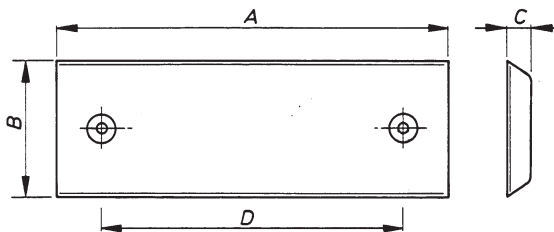
A	B	C	D	E	Weight approx.	Article No.
[mm]	[mm]	[mm]	[mm]	[mm]	[kg/each]	
200	65	13	35	45	0.361	207 580 000

Bolt-on, metal-reinforced tipper supports



A	B	C	D	E	Hole	Weight approx.	Article No.	
[mm]	[mm]	[mm]	[mm]	[mm]	Quantity [mm]	ø [mm]	[kg/each]	
260	70	20	150	35	4	7	0.607	207 570 000
	90	10	150	50	4	8	0.534	207 571 000
	90	20	150	50	4	9	0.800	207 572 000
600	90	25	500	50	4	9	2.038	207 574 000

Bolt-on, metal-reinforced tipper supports



A	B	C	D	Hole	Weight approx.	Article No.	
[mm]	[mm]	[mm]	[mm]	Quantity [mm]	ø [mm]	[kg/each]	
140	50	17	95	2	7	0.207	207 583 000

Titgemeyer GmbH & Co. KG

Hannoversche Straße 97
49084 Osnabrück / DE

P.O. Box 4320
49033 Osnabrück / DE

T +49 541 5822-0
E info@titgemeyer.com
W titgemeyer.com