

Lighting

Installation material, lights and reflectors

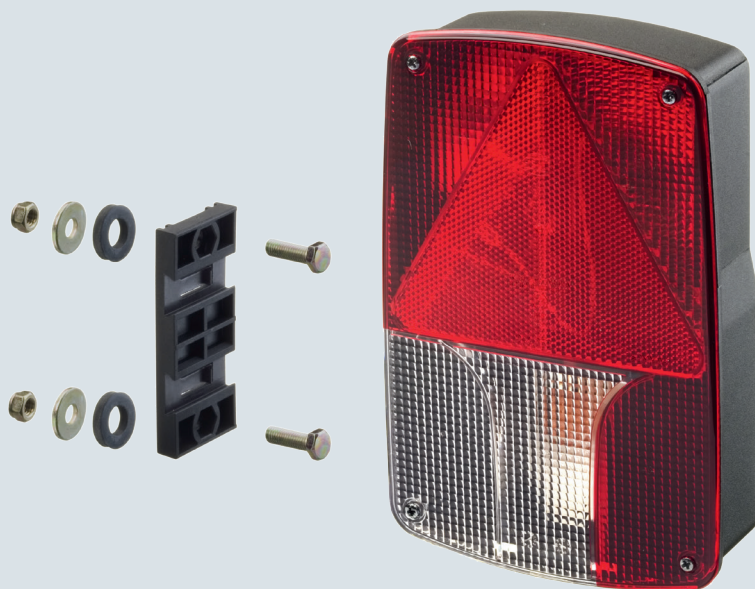


Table of Content

Chapter	Product category		Page
Lighting	Installation material	Vehicle wiring	67.01.01.1
		Cable and chassis clips	67.01.02.1
		Plugs and sockets	67.01.03.1
		Rear markings	67.01.04.1
	Lights	Tail lights	67.02.01.1
		Position and marker lights	67.02.02.1
		Roof lights	67.02.03.1
		Reversing lights	67.02.04.1
		Flood lights	67.02.04.5
	Reflectors	Reflectors	67.03.01.1

Product Index

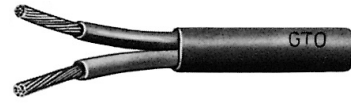
Numeric

Article No.	Pg.	Article No.	Pg.
670 209 000	67.01.01.1	671 466 000	67.02.01.3
670 229 000	67.01.01.1	671 471 000	67.02.01.2
670 303 000	67.01.02.1	671 471 000	67.02.01.5
670 515 000	67.01.03.1	671 887 000	67.02.02.2
670 535 000	67.01.03.1	671 888 000	67.02.02.1
670 549 000	67.01.03.1	671 889 000	67.02.02.1
670 610 000	67.01.03.2	672 080 000	67.02.03.1
670 617 000	67.01.03.2	672 082 000	67.02.03.2
670 625 000	67.01.03.2	672 084 000	67.02.03.2
670 628 000	67.01.03.3	672 094 000	67.02.03.3
670 715 000	67.01.03.3	672 111 050	67.02.03.4
670 725 000	67.01.03.4	672 113 050	67.02.03.4
670 740 000	67.01.03.4	672 113 100	67.02.03.4
670 747 000	67.01.03.5	672 221 000	67.02.03.3
670 748 000	67.01.03.5	672 760 000	67.02.04.2
670 815 000	67.01.04.1	672 761 000	67.02.04.2
670 820 000	67.01.04.1	672 765 000	67.02.04.3
670 825 000	67.01.04.1	672 766 000	67.02.04.5
670 830 000	67.01.04.3	672 768 000	67.02.04.6
670 831 000	67.01.04.3	675 614 010	67.02.04.1
670 860 000	67.01.04.4	679 001 000	67.03.01.1
670 861 000	67.01.04.4	679 007 000	67.03.01.2
670 862 000	67.01.04.4	679 016 000	67.03.01.1
670 863 000	67.01.04.4	679 203 000	67.03.01.2
670 864 000	67.01.04.4		
670 865 000	67.01.04.4		
670 870 000	67.01.04.4		
670 871 001	67.01.04.4		
670 872 000	67.01.04.4		
670 873 001	67.01.04.4		
670 874 000	67.01.04.4		
670 875 001	67.01.04.4		
670 880 000	67.01.04.5		
670 881 000	67.01.04.5		
671 122 000	67.02.01.4		
671 345 000	67.02.01.1		
671 348 000	67.02.01.1		
671 349 000	67.02.01.1		
671 440 000	67.02.01.2		
671 441 000	67.02.01.2		
671 442 000	67.02.01.2		
671 464 000	67.02.01.3		
671 465 000	67.02.01.3		

Vehicle wiring

Vehicle wiring type FLLK

- Construction:
- Bright fine wire copper conductor with plastic insulation
 - Single cores to DIN 72 551, form B
 - Additional plastic outer sheath, black



No. of cores [each]	Nominal cross-section [mm ²]	Copper no.	Wire-Strands	Ø [mm]	Cross-section, flat [mm]	Weight approx. [kg/m]	Article No.
7	1.5	29.0	21	0.3	3.9 x 6.6 mm.	0.054	670 209 000

Cable and chassis clips

Chassis clips

For chassis thicknesses up to approx. 5 mm

Material: Spring steel, burnished



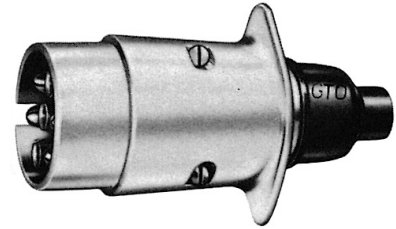
For outer cable ø [mm]	External dimensions [mm]	Weight approx. [kg/100 each]	Article No.
8	43 x 12 x 13	0.550	670 303 000

Plugs and sockets

Plug, 7 pin, metal with screw connection

- To B7 DIN 72 577
- Plug Socket \varnothing 36 mm
- Load capacity 7 x 22 amper, up to 12 volts

Overall length: 96 mm
 Max. \varnothing : 56 mm
 Material: Casing non-ferrous metal, solid, bright metal finish
 Weight: approx. 0.125 kg/each
 Article No. 670 515 000



Sockets, 7 contacts , metal

To A7 DIN 72 577

Max. \varnothing : 70 mm
 Height: 49 mm
 Material: Casing non-ferrous, solid, bright metal finish

Type of connections	Loading capacity up to 12 volts	Weight approx. [kg/m]	Article No.
screw connection	7x22 Amp.	0.140	670 535 000



Socket base

- Suitable for all 5 and 7 contact sockets to DIN 72 576 (superseded) and DIN 72 577 (not suitable for version 670 545 000)
- This base increases the cavity for connection of the socket and provides a water-tight seal
- Cable entry ferrule (projects into mounting face), \varnothing 18 x 12 mm depth

Outer \varnothing : 77 mm
 Internal \varnothing : 70 mm
 Height: 385 mm
 Material: Rubber, black
 Weight: approx. 0.120 kg/each
 Article No. 670 549 000



Plugs and sockets

Plug, 13 pin, 12 V, plastic with screw connection, bayonet type fastening

– To DIN ISO 11446

Overall length:	96 mm
Max. ø:	56 mm
Material:	Casing plastic, black
Weight:	approx. 0.150 kg/each
Accessory:	Parking socket Article No. 670 619 000
Article No.	670 610 000



Sockets with disconnect contact for NES, 13 contacts, 12 V, plastic with screw connection

– To DIN ISO 11446

Overall-ø:	77 mm
Height:	60 mm
Material:	Casing plastic, black
Weight:	approx. 0.140 kg/each
Article No.	670 617 000



Short adapter, 13/7 contacts, 12 V, plastic

– 13 pin plug and 7 contact socket to DIN ISO 11446 to ISO 1724

Overall length:	104 mm
Max. ø:	56 mm
Material:	Casing plastic, black
Weight:	approx. 0.210 kg/each
Article No.	670 625 000



Plugs and sockets

Short mini-adapter, 7/13-pin, 12 V, plastic

- 7-pin plug and 13-pin socket ISO 1724 to ISO 11446

Total length:	76 mm
Total-ø:	58 mm
Material:	Casing, plastic, black
Weight:	approx. 0.08 kg/each
Article No.	670 628 000



Plug socket, 7-pin, metal, 24 V, conforming to ISO 1185, contact 31 with contact pin

- Solid metal construction with screw-in terminals, rubber gasket
- In sealing cap, including cable-protection bush
- Load capacity 7 x 20 amper at 24 volts, total length 52 mm

Material:	Bright metal housing
Weight:	approx. 0.170 kg/each
Article No.	670 715 000



Plugs and sockets

Plug socket, 7-pin, metal, 24 Volts, conforming to ISO 3731, contact 1 with contact sleeve

- Solid metal construction with screw-in terminals, rubber gasket
- In sealing cap, including cable-protection bush
- Load capacity 7 x 20 amper at 24 volts

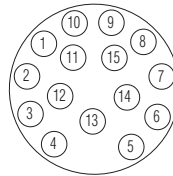
Total length:	52 mm
Material:	Bright metal housing
Weight:	approx. 0.170 kg/each
Article No.	670 725 000



Plug, 15-pin, ADR/GGVS, 24 V, conforming to ISO 12098, plastic, with crimp connectors

- For standard cable and PUR cable (ADR/GGVS) 3 x 2.5; 10 x 1.5 and 2 x 1.0 mm²
- Securely fixed by means of a metal clip.
- Load capacity 20 amper at 24 volts

Total length:	115 mm
Material:	Plastic housing Metal clip
Weight:	approx. 0.230 kg/each
Article No.	670 740 000



Plugs and sockets

Spiral cable, 15-core, ADR/GGV5, 24 V, conforming to ISO 12098, PUR cable with 2 x plastic plugs

- Configuration 12 x 1.5 and 3 x 2.5 mm²
- Length when stretched 4000 mm
- Securely fixed by means of a metal clip, diameter of spiral 60 mm

Material:	PUR cable Plastic plug Metal clip
Weight:	approx. 2.300 kg/each
Article No.	670 747 000



Spiral cable, 15-core to 2 x 7-core, 24 V, ISO 12098 to ISO 1185/3731

- 1 x 15-pin plug and 2 x 7-pin plugs, for connection of tractor vehicle with 15-pin socket to trailer with two 7-pin plug sockets
- Length when stretched 4000 mm
- Securely fixed by means of a metal clip
- Diameter of spiral 90 mm.

Material:	PVC cable Plastic/metal plugs Metal clip
Weight:	approx. 1.810 kg/each
Article No.	670 748 000



Switches

All technical specifications contained in this brochure are approximate and no guarantee is given as to their accuracy. Designs are subject to change.

Rear markings

Reflecting and yellow/red fluorescent rear marking

- For identification of trucks / tractor units with a load capacity of
- More than 3.5 t, in accordance with ECE European standard - 70
- 1 set right / left for attachment to double rear doors

Format:	565 x 130 x 1.0 mm (semi marking)
Material:	Aluminium panel
Single part:	Right bearing - Article No. 670 816 000 Left bearing - Article No. 670 817 000
Article No.	670 815 000



left bearing

right bearing

Reflecting and yellow/red fluorescent rear marking

- For identification of trailers / semi-trailers with a load capacity of more than 3.5 t, in accordance with ECE European standard - 70

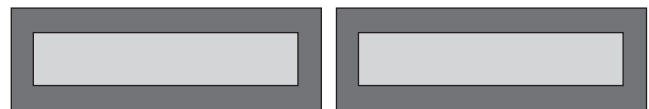
Format:	1130 x 195 x 1.0 mm (full marking)
Material:	Aluminium panel
Article No.	670 820 000



Reflecting and yellow/red fluorescent rear marking

- For identification of trailers / semi-trailers with a load capacity of more than 3.5 t, in accordance with ECE European standard - 70
- 1 set right / left bearing for attachment to double rear doors

Format:	565 x 195 x 1.0 mm (semi marking)
Material:	Aluminium panel
Article No.	670 825 000

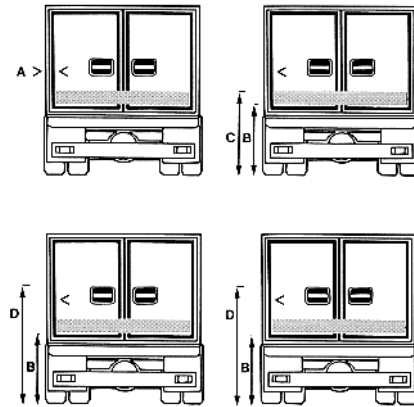


Attachment of rear markings see catalogue page 67.01.05.2

Rear markings

Attachment layout for rear markings for
trucks / tractor units and trailers / semi trailers

- A = max. 400 mm
- B = min. 350 mm
- C = max. 1700 mm
- D = max. 2200 mm

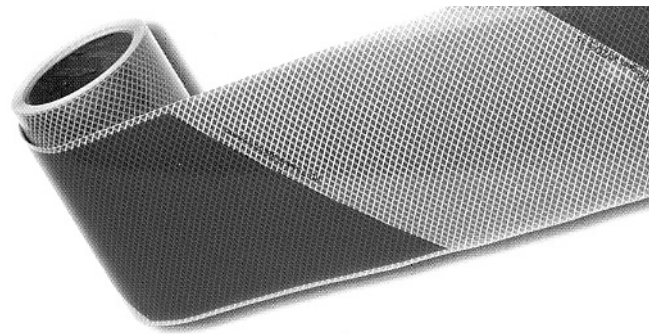
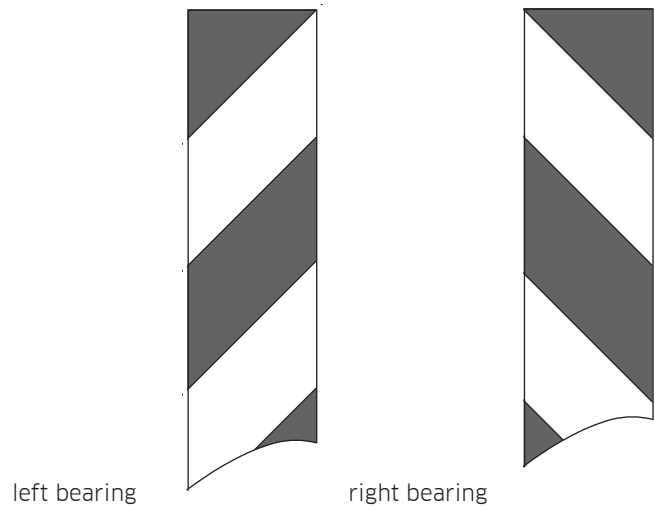
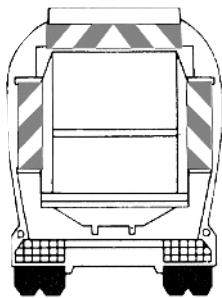


Rear markings

Motor vehicle warning markings on roll

- For vehicles with special rights in compliance with Sect. 35 German Highway Code [StVZO] (may stop on any road side)
- Safety markings on vehicles in compliance with DIN 30 710, high-reflective PVC honeycomb film, self-adhesive and adjustable (can be repositioned or removed within around 20 seconds of being applied) in compliance with DIN 67520 Part 2, white/red in compliance with DIN 6171

Width: 141 mm
Material: PVC film
Article No. **670 830 000** right bearing, roll length 9 metres
670 831 000 left bearing, roll length 9 metres



Rear markings

Retro-reflective warning marking



- Conforming to ECE R 104, for the warning illumination of commercial vehicles
- High-quality design with secure all-round seal
- Without exposed sharp edges. Easy handling and straightforward fitting
- Roll length 50 m

Self-adhesive, microprismatic, reflective foil for fixed bodies / rigid surfaces / width 55 mm:

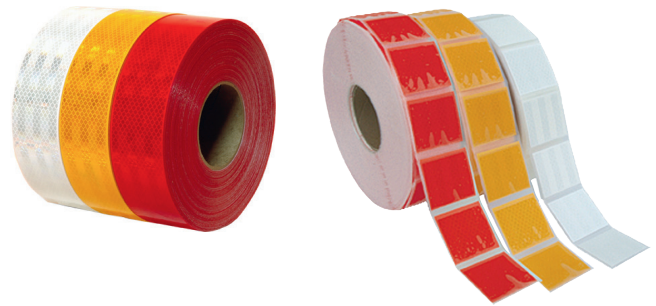
Article No. 670 860 000 White for front/side
 Article No. 670 862 000 Yellow for rear/side
 Article No. 670 864 000 Red for rear

Eight-year warranty, subject to observance of fitting and cleaning instructions

Self-adhesive, segmented, microprismatic, reflective foil for curtainsider bodies / width 51 mm:

Article No. 670 861 000 White for front/side
 Article No. 670 863 000 Yellow for rear/side
 Article No. 670 865 000 Red for rear

Three-year warranty, subject to observance of fitting and cleaning instructions



Retro-reflective warning marking



- Conforming to ECE R 104, for the warning illumination of commercial Vehicles
- Easy handling and straightforward fitting.
- Width 50 mm, roll length 50 m

Self-adhesive, single-layer, prismatic foil for fixed bodies / rigid surfaces:

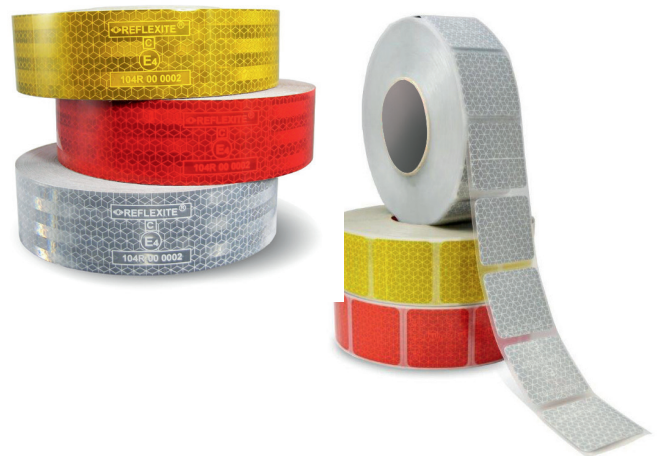
Article No. 670 870 000 White for front/side
 Article No. 670 872 000 Yellow for rear/side
 Article No. 670 874 000 Red for rear

Ten-year warranty, subject to observance of fitting and cleaning instructions

Self-adhesive, single-layer, prismatic foil for curtainsider bodies:

Article No. 670 871 001 White for front/side
 Article No. 670 873 001 Yellow for rear/side
 Article No. 670 875 001 Red for rear

Three-year warranty, subject to observance of fitting and cleaning instructions



Contour markings designed to increase the visibility of trucks and trailers

Obligatory equipment for all new registrations issued in accordance with European law, effective as of 10.07.2011 (for trucks with a total weight of > 7.5 t and trailers weighing > 3.5 t).

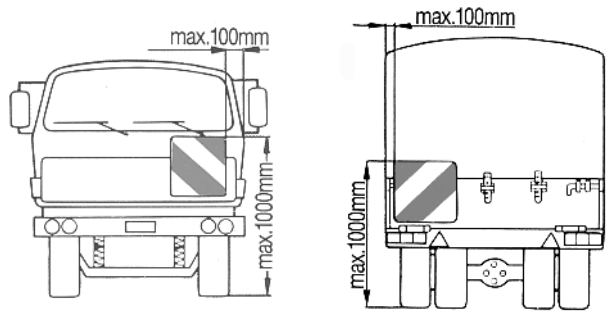
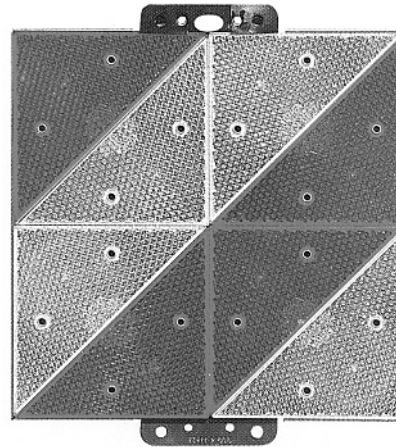
Rear markings

Parking warning board in accordance with § 17 StVO

- (German Road Traffic Regulations), homologated in accordance with § 22a StVZO
- Attachment note in accordance with § 51c (6) StVZO for parked vehicles greater than 2.8 t and all trailers in built-up areas
- Reflectors and licence number may not be covered up!

Foldable park warning board with 8 prism reflectors, white-red complete with fastening holes and revolving lock

Format:	285 x 285 mm
Weight:	approx. 0.850 kg
Article No.	670 880 000 - left bearing, front
Article No.	670 881 000 - right bearing, rear



Tail lights

Tail, brake and indicator light (SBBL)

- Compact twin-chamber light (three functions)
- Cable connection via flat pin plug

Type test

conformity ref.:	E1 43 370
Dimensions:	122 x 122 mm, depth 56 mm
Fixing:	2 fixing holes for M6 screw hole pitch 45 mm
Colour of casing:	grey
Material:	Casing and lens - plastic
Weight:	approx. 0.210 kg/each
Bulb:	not included in supply
Article No.	671 345 000



Tail, brake and indicator light

Brake light and indicator, light with reflectors.
Type test conformity ref.:E1 153 329

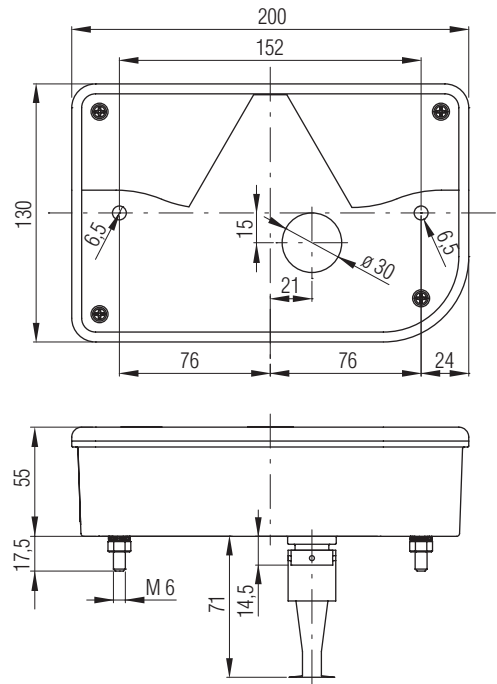
Dimensions:	158 x 64 mm, height 56 mm
Material:	Baseplate aluminium Casing plastic
Weight:	approx. 0.160 kg/each
Article No.	671 348 000 / 671 349 000



Tail lights

JOKON 12-volt multi-purpose light for car trailers

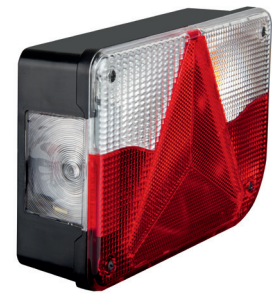
- Horizontal light
- With built-in triangular rear lamp
- Supplied complete with bulbs
- Watertight 5-pole bayonet connector fitted to cable and lamp for easy installation
- With connecting cable for the towing vehicle. Connects to a 13-pole connector
- Cable with two auxiliary connectors for side marker, position and other lamps
- Two M6 mounting bolts, spaced 152 mm apart
- Type test conformity ref. E2 06061



671 441 000 - left



671 442 000 - right



671 440 000 - right

JOKON Multi-purpose light

Type	Installs in direction of vehicle	Dimensions			Material	Surface	Weight approx. [kg/each]	Article No.
		L [mm]	B [mm]	H [mm]				
SBBLNESDR ¹	left	200	130	55	Plastic	smooth	0.5	671 441 000
SBBLRLDR ²	right	200	130	55	Plastic	smooth	0.5	671 442 000
SBBLDR ³	right	200	130	55	Plastic	smooth	0.5	671 440 000

¹ Rear, brake, indicator, registration plate and rear fog lamp

² Rear, brake, indicator, registration plate and reversing lamp

³ Rear, brake, indicator, registration plate lamp

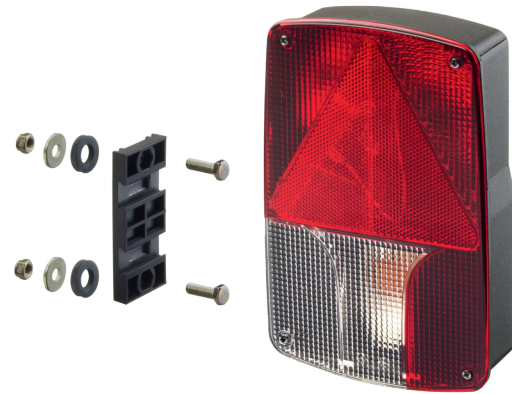
Connecting cable set

Article No. 671 471 000 - 10000 mm

Tail lights

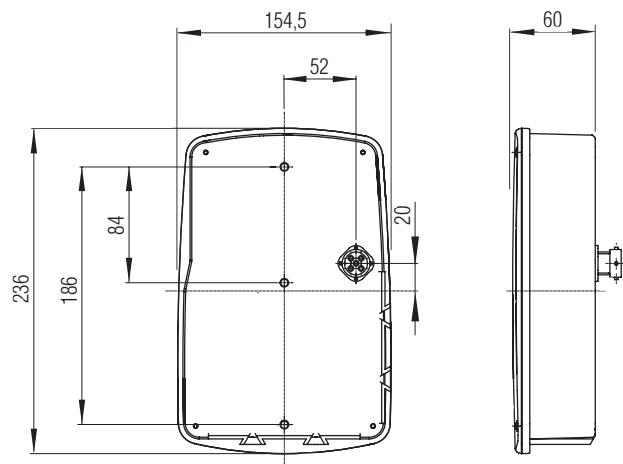
Tail, brake, indicator and rear fog lights-lamp SBBLNES

Dimensions:	236 x 154.5 x 60 mm (L x W x H)
Fixing:	With quick-mounting plate and fixing screws for horizontal or vertical mounting
Type test conformity ref.:	E4 10162
Weight:	approx. 0.630 kg/each
Accessory:	Light cover - Article No. 671 483 000
Article No.	671 465 000 - left



Tail, brake and indicator lamps SBBL

Dimensions:	236 x 154.5 x 60 mm (L x W x H)
Fixing:	With quick-mounting plate and fixing screws for horizontal or vertical mounting
Type test conformity ref.:	E4 10162
Weight:	approx. 0.630 kg/each
Accessory:	Light cover - Article No. 671 482 000
Article No.	671 464 000 - right



Tail, brake, indicator and rear fog lights-lamp SBBLR

Dimensions:	236 x 154.5 x 60 mm (L x W x H)
Fixing:	With quick-mounting plate and fixing screws for horizontal or vertical mounting
Type test conformity ref.:	E4 10162
Weight:	approx. 0.630 kg/each
Accessory:	Light cover - Article No. 671 482 000
Article No.	671 466 000 - right

All lamps are supplied with their corresponding 12-volt bulb

For vertical configuration
(Article No. 671464 000-466 000)

Tail light:	Festoon bulb
Brake light:	Spherical bulb, 21 W
Yellow indicator light:	Spherical bulb, 21 W
Rear fog light:	Spherical bulb, 21 W
Reversing light:	Spherical bulb, 21 W

Tail lights

3rd LED safety brake light

As of 1.11.2013, a 3rd brake light is required for trucks with a gross vehicle weight of up to 3.5t (EC vehicle category N1).

- 3rd brake light with 6 LEDs
- Can be fitted horizontally or vertically

Fixing: 2 holes for fixing screws \varnothing 4.2 mm
Hole spacing: approx. 212 mm

Installation height: max. 150 mm below the rear window
or min. 850 mm off the ground

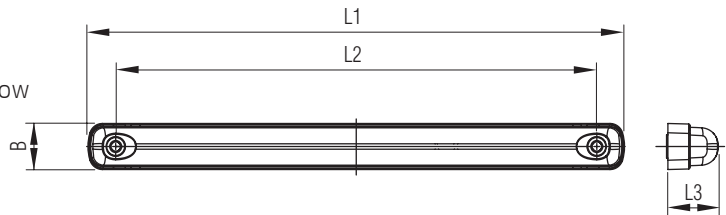
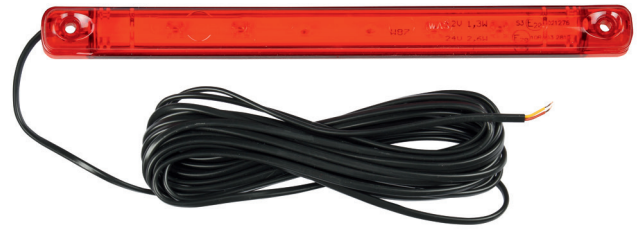
Input voltage: 12 - 24 volt

Power consumption: 1.3 watts at 12 volts; 2.6 watts at 24 volts

Protection class: IP68

Cable cross section: 2 x 0.75 mm²

Material: Light cover plastic red



Dimensions				Cable length	Weight approx.	Article No.
L1	L2	L3	B			
[mm]	[mm]	[mm]	[mm]	[mm]	[kg/each]	
237	212	22	20.5	7000	0.29	671 122 000

Tail lights

Connecting cable set

Plug:	Completely mounted with a 13-pin synthetic material plug ISO 11446
Connector:	2 off 5-pin central plug with waterproof bayonet connection and double shroud
Note:	From the bayonet connection, each cable has a 500 mm, approx. 2-core auxiliary connection for connecting additional position or side marker lamps.
Side designation:	green = right yellow = left
Weight:	Approx. 1.6 kg
Article No.	10000 mm



Core colours

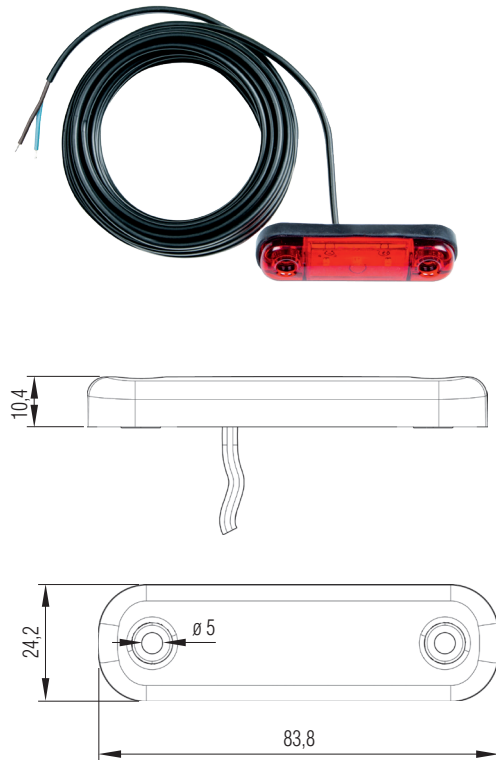
Designation	left	right
Rear light	black	brown
Brake light	red	red
Indicator light	yellow	green
Chassis	white	white
Rear fog light	blue	
Reversing light		blue
Registration plate light	black	brown

Position and marker lights

LED marker light, red

- With 5000 mm cable, with open end
- Right and left facing direction of travel, incl. TPE seal, light for use on GETO Van body kit
- EMC-approved (electromagnetic compatibility)
- With 3 LEDs
- 0.3 watts at 12 volts
- 0.7 watts at 24 volts
- Version: multi-volt 12-24 volts
- IP code: IP 68
- ECE-approved

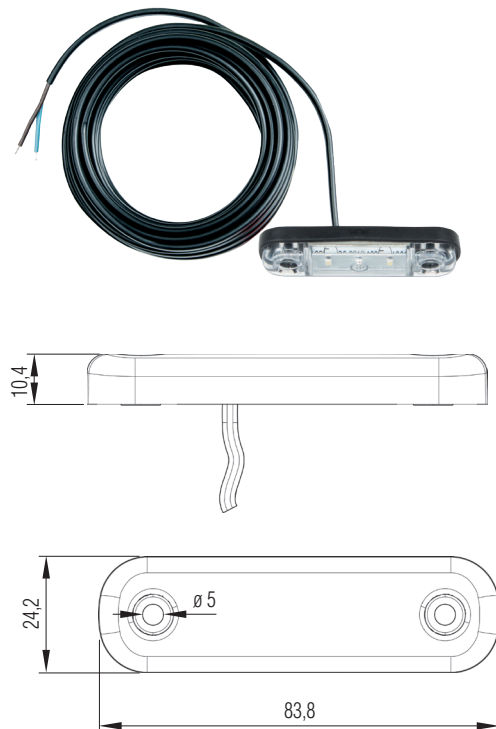
Article No. 671 888 000



LED marker light, white

- With 5000 mm cable, with open end
- Right and left facing direction of travel, incl. TPE seal
- Light for use on GETO Van body kit
- EMC-approved (electromagnetic compatibility)
- With 3 LEDs
- 0.3 watts at 12 volts
- 0.7 watts at 24 volts
- Version: multi-volt 12-24 volts
- IP code: IP 68
- ECE-approved

Article No. 671 889 000

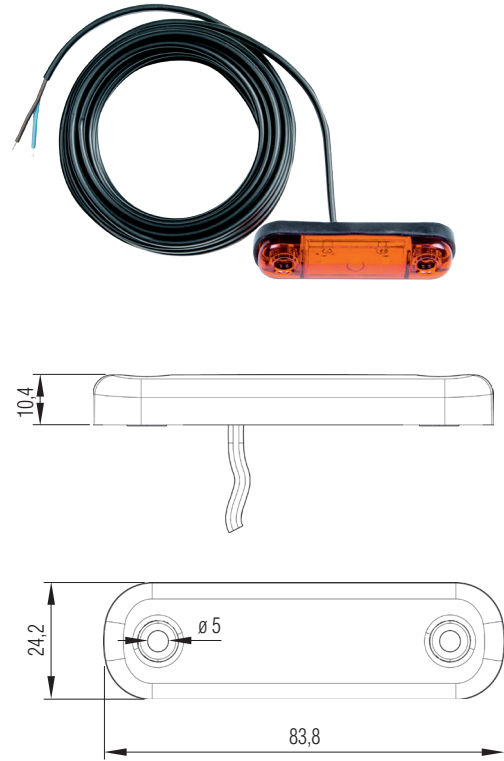


Position and marker lights

LED marker light, yellow

- With 5000 mm cable, with open end
- Right and left facing direction of travel, incl. TPE seal
- Light for use on GETO Van body kit
- EMC-approved (electromagnetic compatibility)
- With 3 LEDs
- 0.2 watts at 12 volts
- 0.5 watts at 24 volts
- Version: multi-volt 12-24 volts
- IP code: IP 68
- ECE-approved

Article No. 671 887 000



Roof lights

LED ceiling light

- Interior light with 4 x LEDs, extremely flat profile, cable terminals
- Fitted with press-on sleeve connectors, securely sealed all round

Power consumption: 28 volts at 1.4 watts

Dimensions: 110 x 50 mm, unit height 12 mm

Fixing: 2 x holes for M5 fixing screws;
hole distance 97 mm

Material: Housing light-grey polycarbonate
Lamp lens clear PMMA (clear acrylic)

Operating temperature: -40 °C to +40 °C

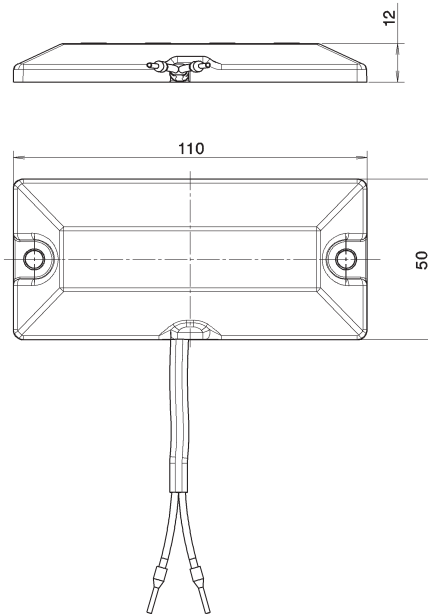
IP protection rating: IPXK9K, IPXK4K

Service life: 30000 hours,
depending on ambient temperature

Cable length: 4900 mm

Weight: approx. 0.330 kg

Article No. 672 080 000

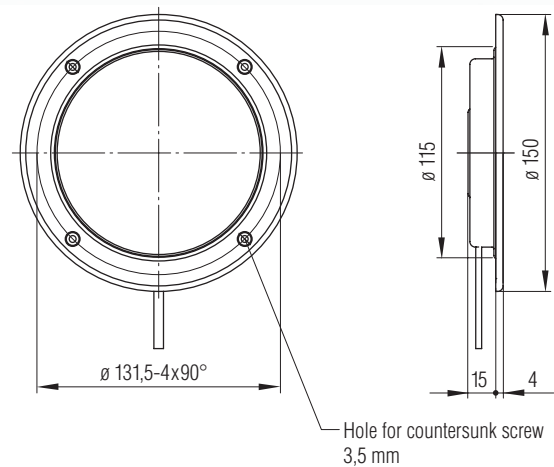


Roof lights

Recessed LED roof light LD 110-E

- Interior light with 18 LEDs
- Multiple-voltage version: Connection voltage 12 - 30 volts
- Power consumption 4 watts
- Protection rating IP 68
- Luminous intensity 300 lumens
- Current consumption (depending on voltage) 0.15 - 0.35 amper
- Service life approx. 50000 hrs.
- Screw fitting
- Withstands temperatures down to -25°C to +80 °C
- Cable outlet bipolar
- Uniform illumination of the cargo area through bulge of the light sheet

Housing material:	Aluminium, powder coated in white RAL 9016
Lens material:	PMMA (acrylic glass), milk glass optics, high impact resistance
Wiring configuration:	Length 1300 mm, colour white
Weight:	0.180 kg
Article No.	672 082 000 - aluminium, white



Surface-mounted LED roof light LD 110-A

- Interior light with 18 LEDs
- Multiple-voltage version: Connection voltage 12 - 30 volts
- Power consumption 4 watts
- Protection rating IP 68
- Luminous intensity 300 lumens
- Current consumption (depending on voltage) 0.15 - 0.35 amper
- Service life approx. 50000 hrs.
- Adhesive fitting
- Withstands temperatures down to -25°C to +80 °C
- Cable outlet bipolar
- Uniform illumination of the cargo area through bulge of the light sheet

Housing material:	Aluminium, powder coated in white RAL 9016
Lens material:	PMMA (acrylic glass), milk glass optics, high impact resistance
Wiring configuration:	Length 1300 mm, colour white
Weight:	0.180 kg
Dimensions:	External $\varnothing 150$ mm Installation height 20 mm
Article No.	672 084 000 - aluminium, white



Fitting recommendation for the surface-mounted version

Adhesive attachment with 3-point iSR 70-05 AP (Article No. 816 852 000) and preliminary fixing with Fixpoints (Article No. 860 201 000).
Pre-cleaning with PrepM (Article No. 816 890 000)

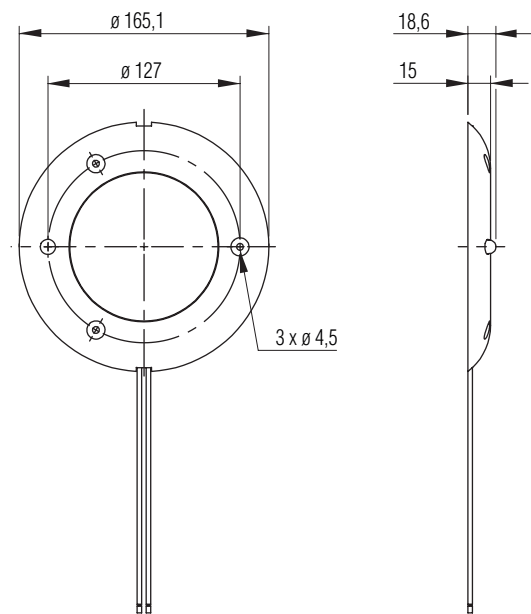
Roof lights

Surface-mounted LED roof light LED-S-100-Multivolt

- Interior light with 12 high-performance white LEDs
- Even, full-surface coverage of light with built-in motion sensor with a radius of up to 3 metres
- Diffusion 120°
- Luminosity 560 lumen
- Power consumption 0.6 A at 14 volts / 0.3 A at 28 volts
- Screw-fitted
- Withstands temperatures of between -20 and +50 °C
- ECE-R10



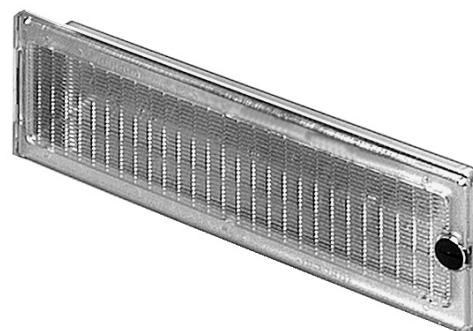
- Housing material:** PC (polycarbonate), white, enhanced impact resistance
- Lens material:** PC (polycarbonate), enhanced impact resistance
- Cable connector:** 2-wire with bare end
- Cable length:** approx. 200 mm
- Weight:** 0.154 kg
- Dimensions:** Exterior \varnothing 165 mm
Installation height \varnothing 15 mm
- Article No.** 672 094 000 - Multivolt, with motion sensor



Recess type roof light

- Area of emitted light approx. 73 x 332 mm.
- The casing for inserting into an opening in the roof of the vehicle has a recess depth of 35 mm, is silver in colour and therefore highly light-reflecting, which contributes to providing optimal lighting of the vehicle.
- Lens is hinged and can be opened by way of a rotary lock.

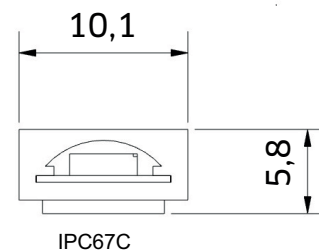
- Dimensions:** Overall size 106 x 360 mm
Height 43.5 mm
Recess depth 35 mm
Cutout 73 x 332 mm
- Fixing:** 4 fixing holes \varnothing 4 mm
- Material:** Acrylic plastic
- Weight:** approx. 0.35 kg/each
- Bulb:** not included in supply
- Recommended bulbs:** Options
3 festoon lamps 15W/12V
3 festoon lamps 15W/24V
- Article No.** 672 221 000



Roof lights

LED-Stripes interior light

- Flexible interior lights for body kits
- 60 LED / metre
- Diffusion 120°
- Luminosity 480 lumen / metre
- Complies to DIN EN 60598-1
- Service life approx. 20.000 hrs at an ambient temperature of 25°C
- Colour temperature: white (6500K)
- Voltage: 12V or 24V
- Can be shortened as required and extended at marked positions
- 2 end caps / rolls are included
- Fixation with full-surface adhesive tape by 3M on the back
- Withstands temperatures of between -30 and +40 °C



IP-protection rating: IP67

Cable length: ca. 200 mm

Roll length 12V 5.000 mm

Roll length 24V 5.000 mm or 10.000 mm

Article No. 672 111 050 -

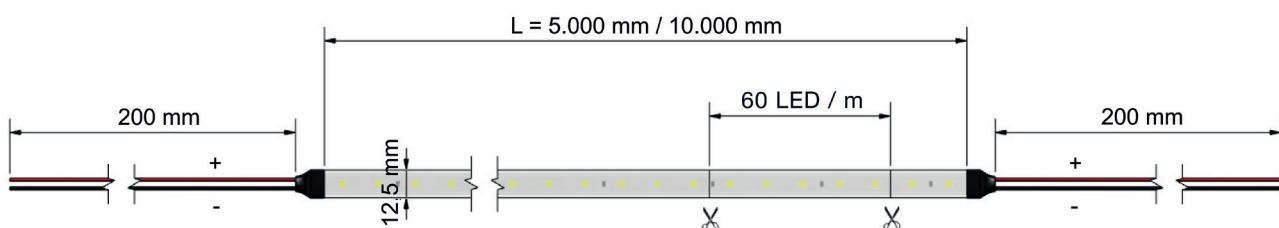
12V, Length: 5.000 mm

Article No. 672 113 050 -

24V, Length: 5.000 mm

Article No. 672 113 100 -

24V, Length: 10.000 mm



Fitting recommendation

For optimum cleaning of the substrate we recommend the use of Körasolv WL (1.000 ml / can), Article No. 870 810 000

Reversing lights

Additional ULTRA Beam H 3 reversing lamp

- The use of halogen lamp technology combined with "H3" lighting, 24 volts, 70 watts, provides extremely high and intense illumination of the rear area when reversing and parking
- Its compactness keeps it well-protected when installed in the underrun protection system
- Vertical tilt: 12°
- ADR/GGVs-approved

Included with delivery:

all mounting components,
easy installation

Approval:

E12 23005

Cable length:

1000 mm with fitted 2-pole EC NG right-angle connector to connect to the EC NG rear light on the right or left-hand side facing the direction of travel

Light bulbs:

H3, 24 volts, 70 watts

Weight:

approx. 0.7 kg/each

Material:

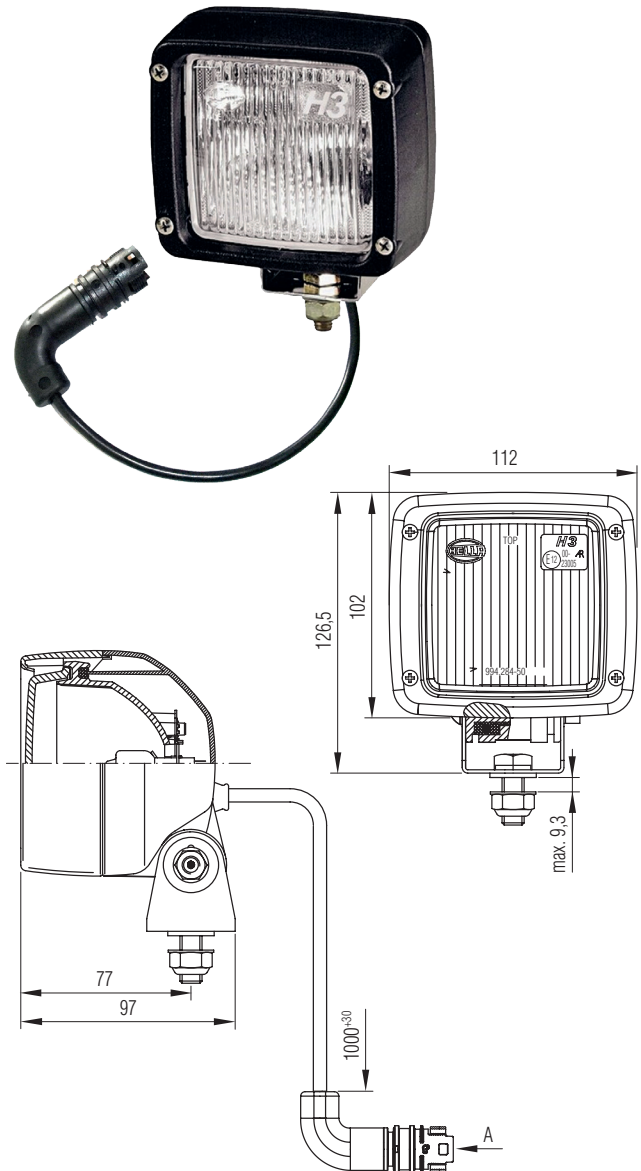
Reversing lamp housing made of synthetic material
All metal parts galvanised

Colour:

black

Article No.

675 614 010



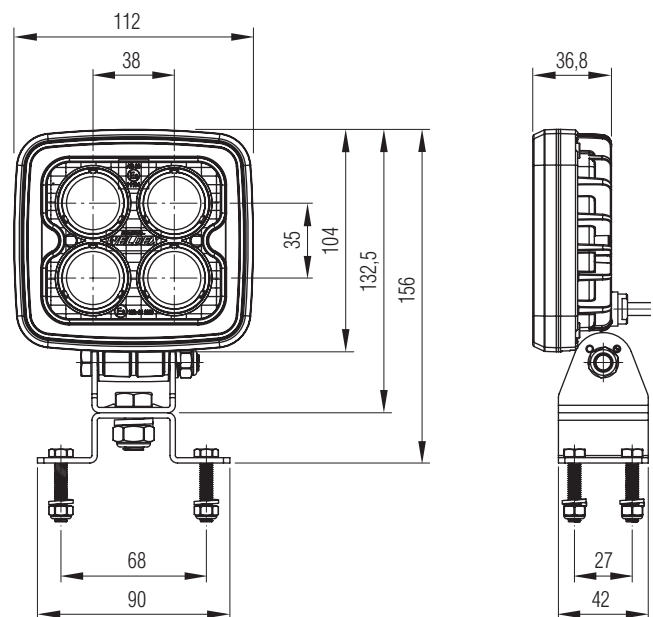
Reversing lights

LED reversing and flood light - 12 or 20 watts

- LED light in a die cast aluminium housing for maximum heat conduction, with ribbed rear housing
- 4 white light LEDs
- Adjustable bracket fixture for perfect angling. Swivel base with M 10 fixing screw
- Polycarbonate lens
- Low power consumption
- Approved for use as reversing light
- Complies with ECE-R-23, ECE-R-10 guidelines
- 2-core 1,000 mm connecting cable with bare end
- ADR- / GGVS approved
- Can be combined with EasyConn lighting system



Input voltage:	10 - 48 volts
Current consumption (12V, 12 watts):	0.91 amperes
Current consumption (12V, 20 watts):	1.70 amperes
Wattage:	12 watts or 20 watts
Operating temperature:	-40 °C - 80 °C
Rating:	IP69K
Lumens (12 watts):	1000 lm
Lumens (20 watts):	1600 lm
Housing colour:	black
Vibration strength:	15 G
Angle of radiation:	60°
LED service life:	approx. 50000 hours
Mark of conformity:	E9 11104
Weight:	0.61 kg
Article No.	672 760 000 - 12 watts 672 761 000 - 20 watts

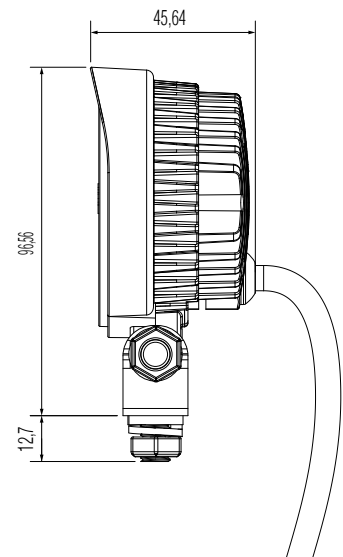
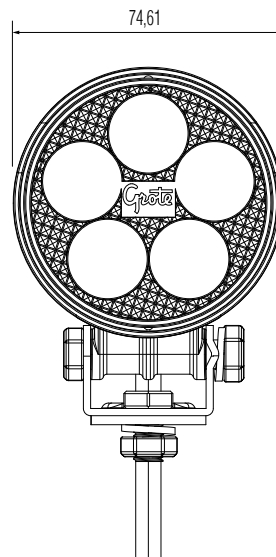


Reversing lights

LED reversing and flood light - 14 watts, multi-volt

- LED flood light in a die cast aluminium housing
- Very compact, low-diameter design (75 mm) for various applications
- 5 white light LEDs
- Polycarbonate lens
- Adjustable stainless steel bracket fixture for perfect angling, swivel base with M 8 fixing screw
- 2-core 450 mm connecting cable with bare end

Input voltage:	12 - 36 volts
Wattage:	14 watts
Operating temperature:	-40°C until +45°C
Rating:	IP67
Lumens:	1240 lm
Housing colour:	black, powder-coated
Weight:	0.206 kg
Article No.	672 765 000



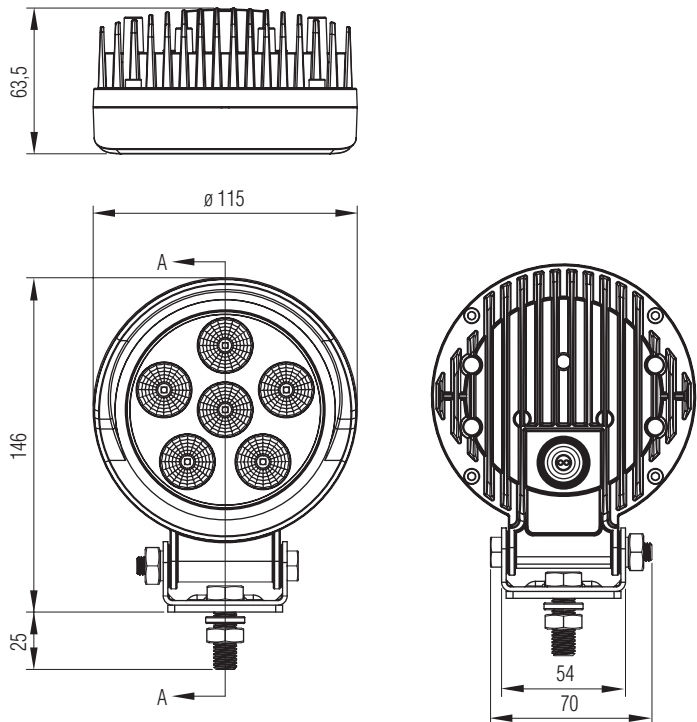
All technical specifications contained in this brochure are approximate and no guarantee is given as to their accuracy. Designs are subject to change.

Flood lights

LED flood light - 18 watts, multi-volt

- LED flood light in a die cast aluminium housing
- 6 white light LEDs
- Polycarbonate lens
- Adjustable stainless steel bracket fixture for perfect angling, swivel base with M 10 fixing screw
- 2-core, 450 mm connecting cable with bare end

Input voltage: 9 - 32 volts
Wattage: 18 watts
Operating temperature: -40°C until +50°C
Rating: IP67K
Lumens: 1600 lm
Housing colour: black, powder-coated
Weight: 0.8 kg
Article No. 672 766 000

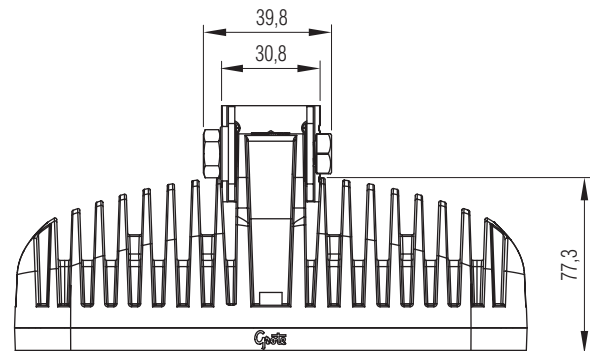
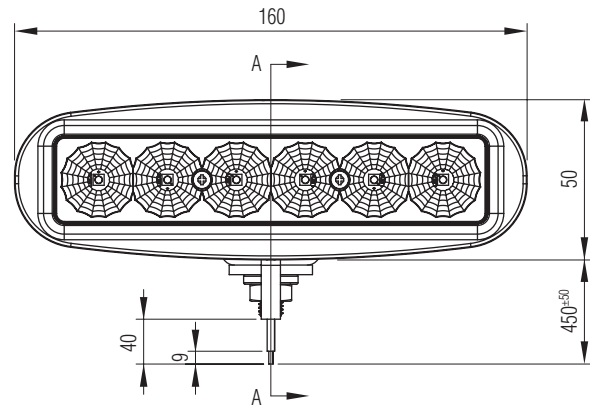


Flood lights

LED flood light - 17 watts, multi-volt Slim design

- LED flood light in a die cast aluminium housing
- 6 white light LEDs
- Polycarbonate lens
- Adjustable stainless steel bracket fixture for perfect angling, swivel base with M 8 fixing screw
- 2-core, 450 mm connecting cable with bare end
- Very compact, low-height design

Input voltage:	9 - 32 volts
Wattage:	17 watts
Operating temperature:	-40°C until +50°C
Rating:	IP67K
Lumens:	1400 lm
Housing colour:	black, powder-coated
Weight:	0.7 kg
Article No.	672 768 000



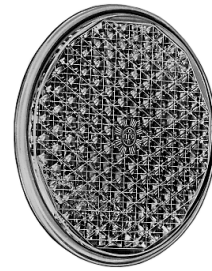
Reflectors

Reflector, round

Plastic reflector, air and water-tight with welded plastic protective baseplate

Height: 8 mm (7 mm)
Fixing: Self-adhering film, heat resistant and resistant to the effects of fuel

Diameter of reflection [mm]	European type test ref.	Weight approx. [kg/m]	Article No.
56	E2 330	0.013	679 016 000

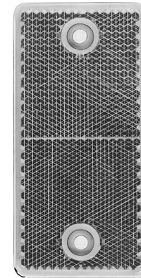


Reflector, rectangular

Plastic reflector, air and water-tight with welded plastic protective baseplate. Horizontal and vertical mounting possible.

Height: 8 mm
Fixing: 2 fixing holes \varnothing 4 mm, pitch 70 mm

Diameter of reflection [mm]	European type test ref.	Weight approx. [kg/m]	Article No.
90 x 40	21 396	0.020	679 001 000

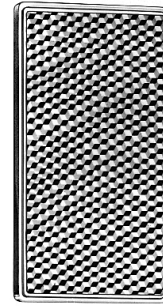


Reflectors

Reflector, rectangular

Plastic reflector, air and water-tight with welded plastic protective baseplate.

Height: 7 mm
Fixing: self-adhering film, heat resistant and resistant to the effects of fuel

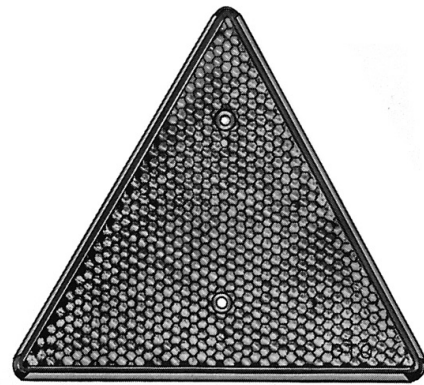


Diameter of reflection [mm]	European type test ref.	Weight approx. [kg/m]	Article No.
40 x 90	E1 0231374	0.023	679 007 000

Triangular reflector

- European type test conformity ref. IA E1 02 135
- With bright anti-corrosive metal bezel
- Length of side 159 mm
- Height 138 mm
- Thickness 6 mm
- In conformity with DIN 72 618.2 screw holes \varnothing 6 mm, complete with bushes, pitch 70 mm

Material: Plastic
Weight: approx. 0.065 kg/each
Article No. 679 203 000



Titgemeyer GmbH & Co. KG

Hannoversche Straße 97
49084 Osnabrück / DE

P.O. Box 4320
49033 Osnabrück / DE

T +49 541 5822-0
E info@titgemeyer.com
W titgemeyer.com