

Ventilation

Windows, lifting roof lights, roof ventilators,
ventilation flaps and wall ventilators

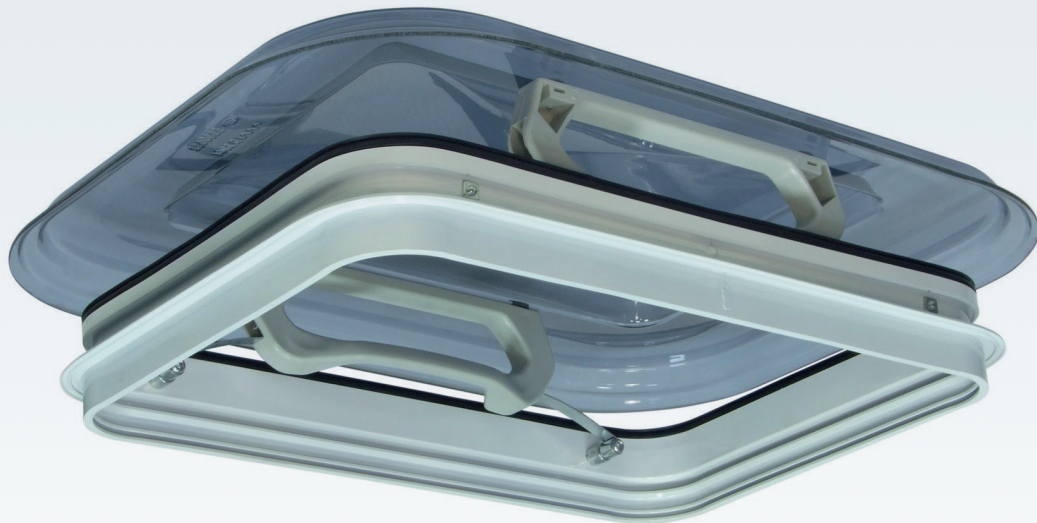


Table of Contents

Chapter	Product category		Page
Ventilation	Windows	Fixed window	64.01.01.1
		Sliding window	64.01.02.1
	Lifting roof lights	Light and ventilation hood	64.02.01.1
	Roof ventilators	Wind-powered roof ventilators	64.03.01.1
		Electric roof ventilators	64.03.02.1
		Accessories for roof ventilators	64.03.03.1
	Ventilation flaps	Ventilation flaps	64.04.01.1
	Wall ventilators	Sliding ventilator	64.05.01.1
		Covering sheets	64.05.02.1

Product index

Numeric

Article No.	Pg.	Article No.	Pg.
640 110 000	64.05.01.3	643 612 000	64.01.02.1
640 115 000	64.05.01.3	643 620 001	64.01.01.1
640 120 000	64.05.01.3	643 620 002	64.01.01.1
640 130 000	64.05.01.3	643 620 003	64.01.01.1
640 140 000	64.05.01.3	643 621 000	64.01.01.1
640 150 000	64.05.01.3	643 621 000	64.01.02.1
640 180 000	64.05.01.3	643 621 001	64.01.01.1
640 190 000	64.05.01.3	643 621 001	64.01.02.1
640 200 000	64.05.01.3	643 621 002	64.01.01.1
640 300 000	64.05.01.1	643 621 002	64.01.02.1
640 320 000	64.05.01.1	643 621 003	64.01.01.1
640 325 000	64.05.01.1	643 621 003	64.01.02.1
640 335 000	64.05.01.1	643 622 000	64.01.02.1
640 340 000	64.05.01.1	643 622 001	64.01.02.1
640 345 000	64.05.01.1	643 622 002	64.01.02.1
640 360 000	64.05.01.1	643 622 003	64.01.02.1
640 370 000	64.05.01.1	643 623 000	64.01.02.1
640 625 000	64.05.01.2	643 623 001	64.01.02.1
640 640 000	64.05.01.2	643 623 002	64.01.02.1
641 012 000	64.04.01.1	643 623 003	64.01.02.1
641 082 000	64.04.01.1		
641 092 000	64.04.01.1		
641 164 000	64.02.01.1		
642 140 000	64.03.01.2		
642 305 001	64.03.02.1		
642 307 001	64.03.02.3		
642 310 001	64.03.02.1		
642 313 001	64.03.02.3		
642 315 001	64.03.02.4		
642 317 001	64.03.02.5		
642 320 001	64.03.02.4		
642 322 001	64.03.02.5		
642 325 001	64.03.02.6		
642 350 000	64.03.03.2		
642 355 002	64.03.03.1		
642 357 000	64.03.03.2		
642 360 000	64.03.03.2		
642 365 002	64.03.03.1		
642 370 000	64.03.01.1		
643 600 000	64.01.01.1		
643 601 000	64.01.01.1		
643 610 000	64.01.02.1		
643 611 000	64.01.02.1		

Fixed window

Titgemeyer fixed window

- Designed for screw-in support frame (please order separately - see below)
- Single-glazed safety window (ESG), 5 mm, clear
- EC test mark (E17 43R- 00399)

Material: Frame: Aluminium, black (RAL9005), powder coated
Sealing: EPDM



Technical data

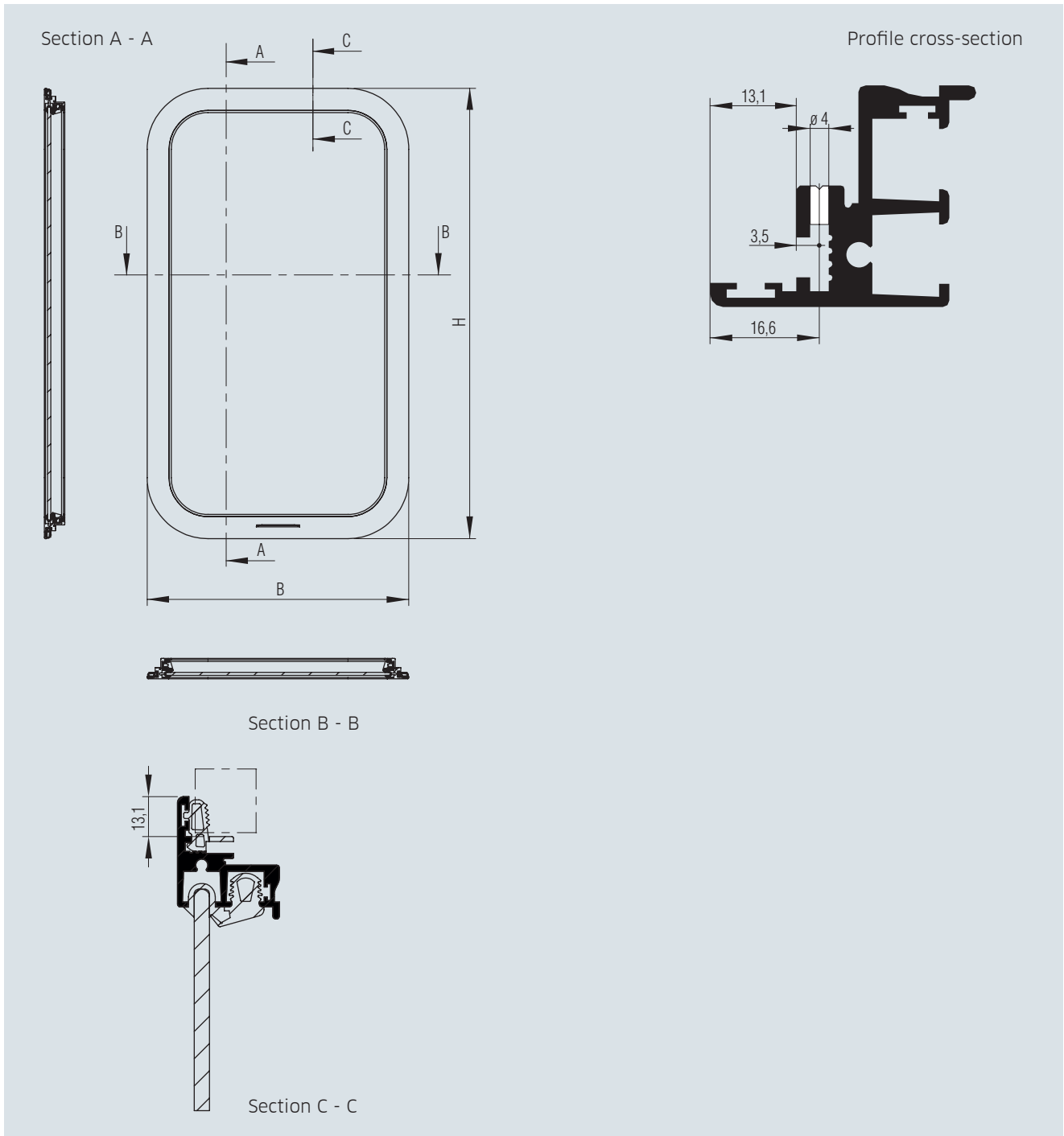
Width		Height		Radius	Weight approx.	Article No.
B	Wall opening (cutout)	H	Wall opening (cutout)	Wall opening (cutout)		
Frame outside [mm]	[mm]	Frame outside [mm]	[mm]	[mm]	[kg/each]	
430	407	740	717	88.5	5.1	643 600 000
636	613	740	717	88.5	7.2	643 601 000

Support frame

Including Philips countersunk self-tapping screws A2, EN ISO 7050

For			Incl. screw materials			Weight approx.	Article No.
Window size	Article No.	Wall thickness	No. of screws per set	Screw dimensions $\varnothing \times L$	For wall thickness from / to		
[mm]		[mm]	[Pieces]	[mm]	[mm]	[kg/each]	
430 x 740	643 600 000	25-35	10	4,8 x 32 / 4,8 x 38	25-28 / 29-35	0.7	643 620 001
		36-46	10	4,8 x 38 / 4,8 x 45	36-37 / 38-46	0.7	643 620 002
		47-57	10	4,8 x 50 / 4,8 x 60	47-52 / 53-57	0.8	643 620 003
636 x 740	643 601 000	14-24	10	4,8 x 22 / 4,8 x 32	14-22 / 23-24	0.6	643 621 000
		25-35	10	4,8 x 32 / 4,8 x 38	25-28 / 29-35	0.8	643 621 001
		36-46	10	4,8 x 38 / 4,8 x 45	36-37 / 38-46	0.8	643 621 002
		47-57	10	4,8 x 50 / 4,8 x 60	47-52 / 53-57	0.9	643 621 003

Fixed window



All technical specifications contained in this brochure are approximate and no guarantee is given as to their accuracy. Designs are subject to change.

Sliding window

Titgemeyer sliding window

- Designed for screw-in support frame (please order separately - see below)
- Single-glazed safety window (ESG), 5 mm, clear
- EC test mark (E17 43R- 00399)

Material Frame: Aluminium, black (RAL9005), powder coated
 Sealing: EPDM, mullion - brush seal



Technische Daten

Width		Height		Radius	Weight approx.	Article No.
B	Wall opening	H	Wall opening	Wall opening		
Frame outside	(cutout)	Frame outside	(cutout)	(cutout)	[kg/each]	
[mm]	[mm]	[mm]	[mm]	[mm]		
636	613	740	717	88.5	8.3	643 610 000
839	816	740	717	88.5	10.3	643 611 000
1246	1223	740	717	88.5	14.7	643 612 000

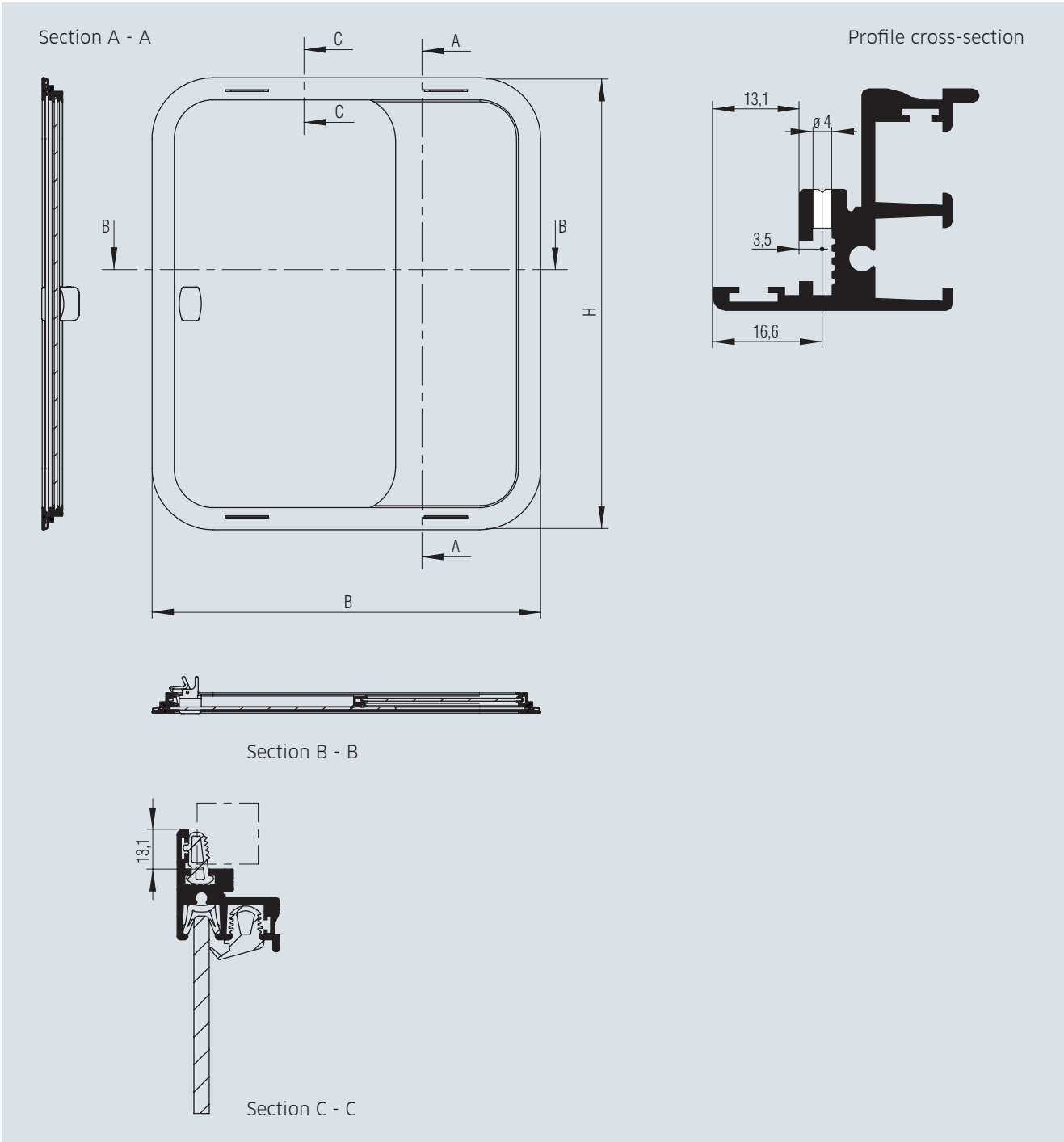
Support frame

Including Philips countersunk self-tapping screws A2, EN ISO 7050

For			Incl. screw materials			Weight approx.	Article No.
Window size	Article No.	Wall thickness	No. of screws	Screw dimensions	For wall thickness		
[mm]		[mm]	per set	ø x L	from / to	[kg/each]	
			[Pieces]	[mm]	[mm]		
636 x 740	643 610 000	14-24	10	4,8 x 22 / 4,8 x 32	14-22 / 23-24	0.5	643 621 000
		25-35	10	4,8 x 32 / 4,8 x 38	25-28 / 29-35	0.8	643 621 001
		36-46	10	4,8 x 38 / 4,8 x 45	36-37 / 38-46	0.8	643 621 002
		47-57	10	4,8 x 50 / 4,8 x 60	47-52 / 53-57	0.9	643 621 003
839 x 740	643 611 000	14-24	14	4,8 x 22 / 4,8 x 32	14-22 / 23-24	0.9	643 622 000
		25-35	14	4,8 x 32 / 4,8 x 38	25-28 / 29-35	0.9	643 622 001
		36-46	14	4,8 x 38 / 4,8 x 45	36-37 / 38-46	1.0	643 622 002
		47-57	14	4,8 x 50 / 4,8 x 60	47-52 / 53-57	1.2	643 622 003
1246 x 740	643 612 000	14-24	14	4,8 x 22 / 4,8 x 32	14-22 / 23-24	1.1	643 623 000
		25-35	14	4,8 x 32 / 4,8 x 38	25-28 / 29-35	1.1	643 623 001
		36-46	14	4,8 x 38 / 4,8 x 45	36-37 / 38-46	1.3	643 623 002
		47-57	14	4,8 x 50 / 4,8 x 60	47-52 / 53-57	1.5	643 623 003

All technical specifications contained in this brochure are approximate and no guarantee is given as to their accuracy. Designs are subject to change.

Sliding window



All technical specifications contained in this brochure are approximate and no guarantee is given as to their accuracy. Designs are subject to change.

Light and ventilation hood

Skylight, smokey grey

- Acrylic skylight with spring-loaded latches opens on all sides
- Safety-tested to German TÜV standards

Dimensions: Roof cut-out 350 x 500 mm; corner radius 50 mm
For roof thicknesses upwards of: 25 mm
Installation height when closed: 92 mm
Installation height when open: 152 mm
Opening clearance: 335 x 485 mm
Skylight: 605 x 462 mm

Material:

- Frame - aluminium, white
- Skylight - acrylic glass, smokey grey
- Handle - Plastic, light grey
- Seal - rubber, black

Weight: approx. 2.5 kg

Spare part: Replacement skylight smokey grey, Article No. 641 163 000

Article No. 641 164 000



Wind-powered roof ventilators

Dynamic ventilator DE 200

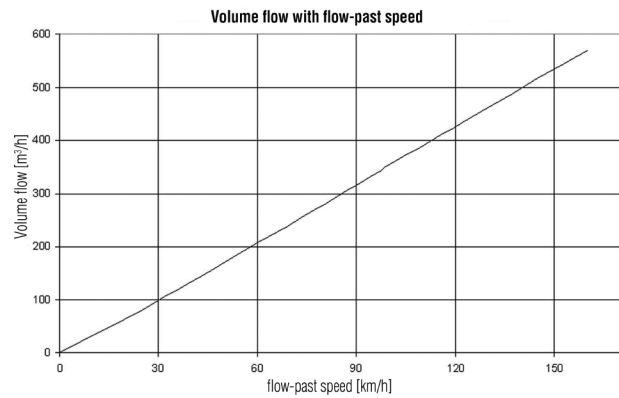
- Wind-actuated roof ventilator, without electrical drive mechanism
- Air outlet with fine-mesh protector to prevent entry of foreign bodies, details of anti-insect mesh available on request
- Fitting is by means of screws, with an O-ring to provide a vehicle seal

Material: All-aluminium construction powder-coated in RAL 7035 (light grey)

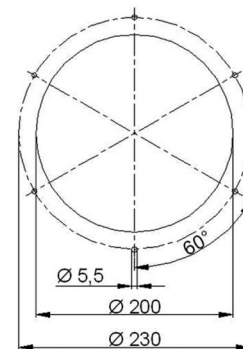
Weight: approx. 0.57 kg/each

- Accessories:**
- Roof catch without lamp Article No. 642 350 000
 - Roof catch with lamp Article No. 642 355 000
 - Roof catch with star handle / RAL 7035 Article No. 642 357 000

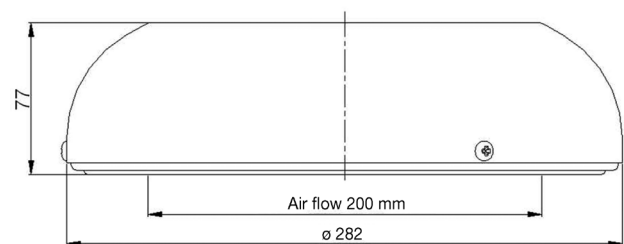
Article No. 642 370 000



Flow-past [km/h]	Volume flow [m³/h]	Pressure difference [max. Pa]
20	71	27
40	142	55
60	213	82
80	285	109
100	356	137
120	427	164
140	498	191
160	569	218
180	640	246



Required roof cut-out



Dimensions

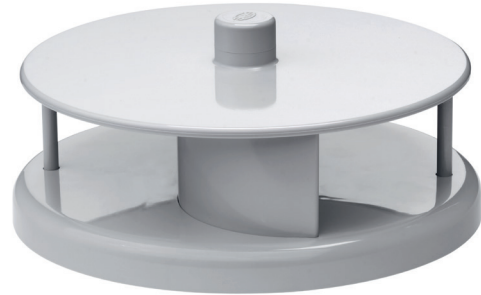
Wind-powered roof ventilators

Rotating roof vent

- Operated by air stream, ball-bearing rotor
- Approved for vehicle speeds up to 170 km/h (105 mph)
- Screw holes, diameter 5.2 mm, 4 holes

Material: Plastic, light grey RAL 7035
Weight: approx. 0.7 kg/each
Accessories: Customs grid, Article No. 642 145 000 (please order separately)

Outer Ø [mm]	Height [mm]	Air passage Ø [mm]	Screw hole circle Ø [mm]	Air capacity 50 km/h [m³/min.]	Article No.
242.5	124	97	124.4	2	642 140 000



Electric roof ventilators

DL 195 roof-mounted fan for ventilation & deaeration 12V/24V

- Very sturdy aluminium housing. One-piece design in ideal dimensioning in accordance with the requirements. Powder-coated in RAL 7035 Light Grey. Sealed to vehicle using EPDM round cord. With type approval from the Federal Office for Motor Traffic (e1 sign).
- The ventilator is generally equipped with two stages for the user to select either full or half air performance. All required cables are laid to the connector shell. Lower performance cables are connected. A reversible switch allows the motor to be reversed for ventilation/extraction.
- Note: The motor must be set to "0" and come to a halt before the flow direction of the fan is reversed.

Type of installation: Screw-in assembly

Drive: D.C. magneto-electric motor

Cable connection: Flat lug 6.3 mm in 2-pin AMP housing

System of protection: IP 68

Accessories:

- Protective grille
Article No. 642 337 000
- Reversible switch for DC power
Article No. 642 330 000
- Roof cover without lamp
Article No. 642 350 002
- Roof cover with lamp
Article No. 642 355 000
- Roof catch with star handle /
RAL 7035
Article No. 642 357 000

Weight: 1.6 kg/each

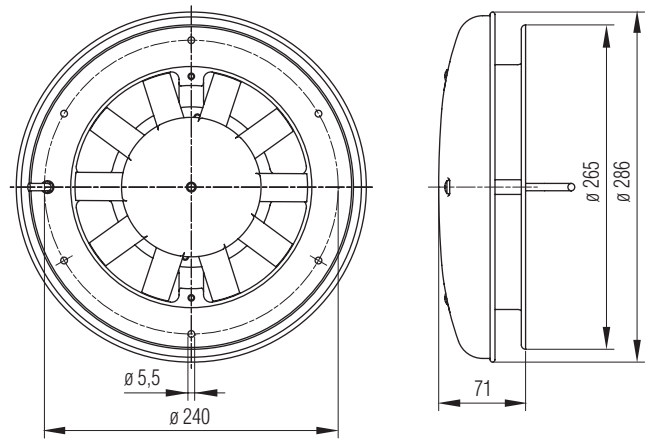
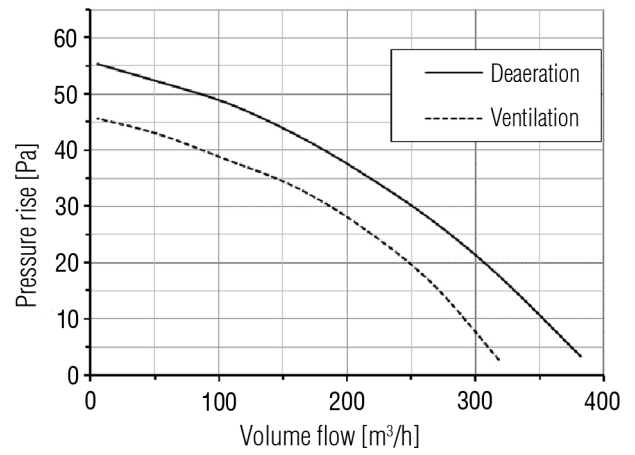
Article No. 642 305 001 / 12 volts

642 310 001 / 24 volts



Electric roof ventilators

Performance data	Ventilation	Deaeration
Air throughput free blowing (m ³ /h)	320/610	390/740
Pressure rise (Pa)	46/165	56/200
Max power consumption (W)	34/70	34/70
Speed (1/min.)	2300/3800	2300/3800
Weight (kg)	1.6	1.6



All technical specifications contained in this brochure are approximate and no guarantee is given as to their accuracy. Designs are subject to change.

Electric roof ventilators

DL 195 EC roof-mounted fan for ventilation & deaeration 12V/24V

- Very sturdy aluminium housing. One-piece design in ideal dimensioning in accordance with the requirements
- Sealed to vehicle using EPDM round cord
- Equipped with an electronically commutated outside rotor motor (commutator-free DC motor). Service life: ~40,000 hrs. The brushless design ensures virtually noiseless running of the EC motor, with an outstanding EMC rating. A reversible switch allows the motor to be reversed for ventilation/extraction. High air flow with low power consumption.
- Note: The motor must be set to “0” and come to a halt before the flow direction of the fan is changed by means of the reversing switch.

Type of installation: Screw-in assembly

Cable connection: Flat plug 2.8 mm in 4-pin AMP housing

- Accessories:**
- Protective grille
Article No. 642 337 000
 - Roof cover without lamp
Article No. 642 350 000
 - Roof cover with lamp
Article No. 642 355 000
 - Roof catch, RAL 7035, with star handle
Article No. 642 357 000
 - Polished roof catch with star handle
Article No. 642 358 000
 - Reversing switch for EC motor
Article No. 642 332 000

Material: Aluminium

Surface: Chromated and powder coated in light grey RAL 7035

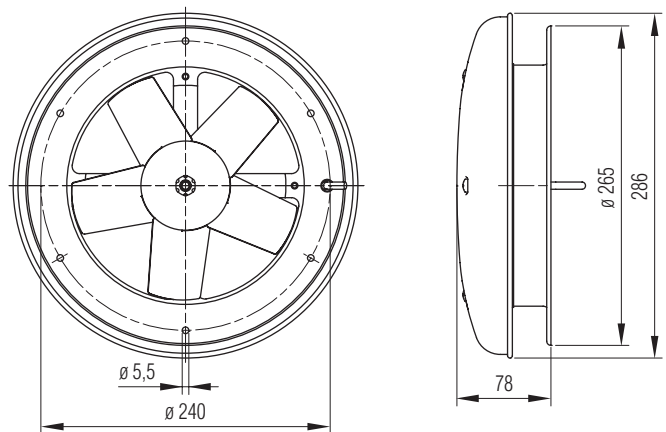
Motor housing: Black coated

Weight: 1.2 kg/each

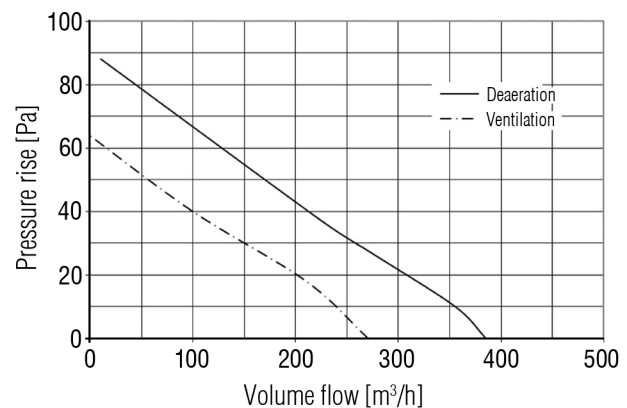
Article No. 642 307 001 / 12 volts
642 313 001 / 24 volts

The advantages at a glance:

- Long service life of ~40,000 hrs.
- Brushless -> maintenance-free
- Virtually noiseless
- Outstanding EMC rating
- Reversible



Performance data	Ventilation	Deaeration
Air throughput free blowing (m ³ /h)	270	385
Pressure rise (Pa)	62	83
Max power consumption (W)	22	25
Noise emissions [dB(A)]	58	57
Speed (1/min.)	2150	2280
Weight (kg)	1.2	1.2



Electric roof ventilators

DL 230 roof-mounted fan for ventilation & deaeration 12V/24V

- Very sturdy aluminium housing. One-piece design in ideal dimensioning in accordance with the requirements
- Sealed to vehicle using EPDM round cord.
- With type approval from the Federal Office for Motor Traffic (e1 sign).
- The ventilator is generally equipped with two stages for the user to select either full or half air performance. All required cables are laid to the connector shell. Lower performance cables are connected. A reversible switch allows the motor to be reversed for ventilation/extraction. Note: The motor must be set to "0" and come to a halt before the flow direction of the fan is reversed.

Type of installation: Screw-in assembly

Drive: D.C. magneto-electric motor

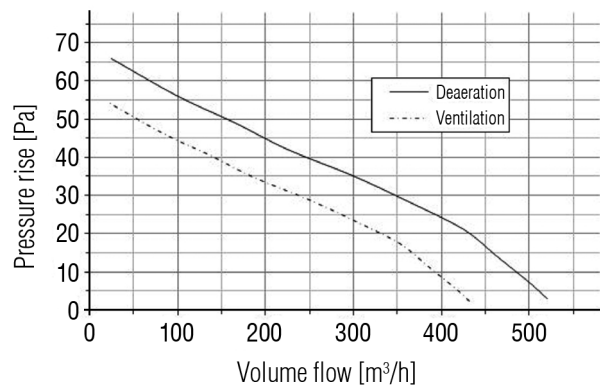
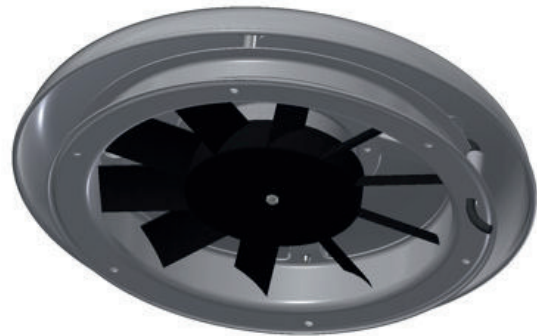
Cable connection: Flat plug 6.3 mm in 2-pin AMP housing

System of protection: IP 68

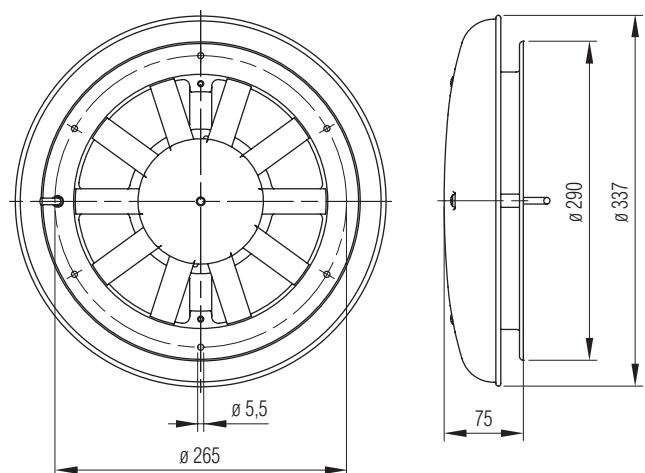
- Accessories:**
- Replacement skylight Article No. 642 338 000
 - Reversing switch for AC power Article No. 642 330 000
 - Roof cover without lamp Article No. 642 360 000
 - Roof cover with lamp Article No. 642 365 000

Material: Aluminium
Surface: Powder-coated in RAL 7035 Light Grey

Weight: 1.6 kg/each
Article No. 642 315 001 / 12V
 642 320 001 / 24V



Performance data	Ventilation	Deaeration
Air throughput free blowing (m³/h)	440/880	530/1060
Pressure rise (Pa)	58/205	70/250
Max power consumption (W)	36/96	36/96
Speed (1/min.)	2500/3600	2500/3600
Weight (kg)	1.6	1.6



All technical specifications contained in this brochure are approximate and no guarantee is given as to their accuracy. Designs are subject to change.

Electric roof ventilators

DL 230 EC roof-mounted fan for ventilation & deaeration 12V/24V

- Very sturdy aluminium housing. One-piece design in ideal dimensioning in accordance with the requirements
- Sealed to vehicle using EPDM round cord.
- Equipped with an electronically commutated outside rotor motor (commutator-free DC motor). Service life: ~40,000 hrs. The brushless design ensures virtually noiseless running of the EC motor, with an outstanding EMC rating. A reversible switch allows the motor to be reversed for ventilation/extraction. High air flow with low power consumption.
- Note: The motor must be set to "0" and come to a halt before the flow direction of the fan is changed by means of the reversing.

The advantages at a glance:

- Long service life of ~40,000 hrs.
- Brushless -> maintenance-free
- Virtually noiseless
- Outstanding EMC rating
- Reversible

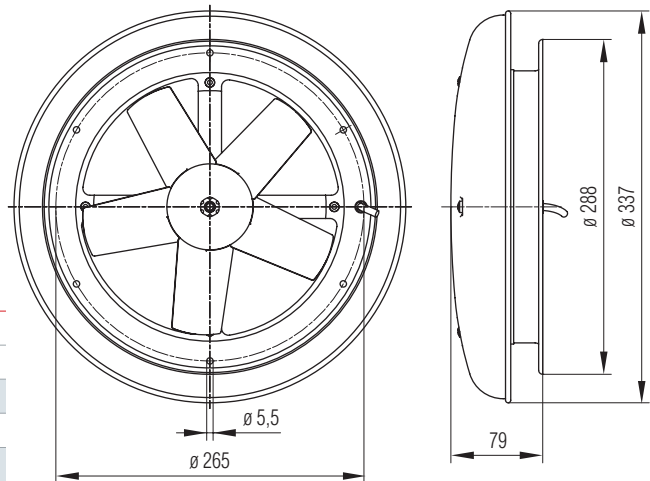
Type of installation: Screw-in assembly

Cable connection: Flat plug 2.8 mm in 4-pin AMP housing

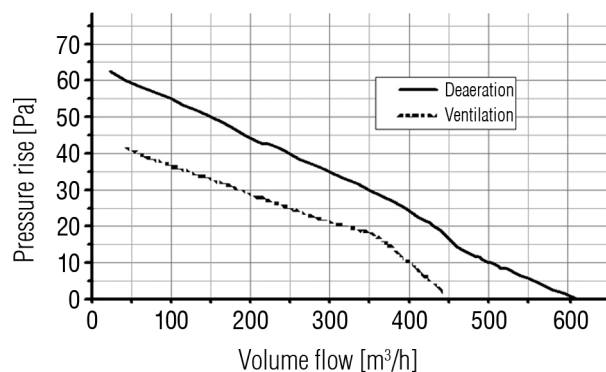
- Accessories:**
- Protective grille
Article No. 642 338 000
 - Roof cover without lamp
Article No. 642 360 000
 - Roof cover with lamp
Article No. 642 365 000
 - Reversing switch for EC motor
Article No. 642 332 000

Material: Aluminium
Surface: Chromated and powder-coated in light grey RAL 7035
Motor housing: Black coated

Weight: 1.2 kg/each
Article No. 642 317 001 / 12 volts
642 322 001 / 24 volts



Performance data	Ventilation	Deaeration
Air throughput free blowing (m³/h)	530	620
Pressure rise (Pa)	41	64
Max power consumption (W)	30	30
Speed (1/min.)	1900	1900
Weight (kg)	1.2	1.2



Electric roof ventilators

DLW 230 roof-mounted fan for ventilation & deaeration 230V~

- Very sturdy aluminium housing. One-piece design in ideal dimensioning in accordance with the requirements
- Sealed to vehicle using EPDM round cord.
- Sickle-type impellers manufactured in galvanised sheet steel.
- Note: The motor must be set to “0” and come to a halt before the flow direction of the fan is changed by means of the reversing switch. Configured as a reduced-length outside rotor motor.

Motor: single-phase motor with start/run capacitor, reversible.
Set up as an external rotor with correspondingly shorter overall motor length.

Insulation class: B

Type of installation: Screw-in assembly

Voltage: 230 V

Cable connection: Flexible lead with crimped end ferrules

System of protection: IP 44, with moisture protected

Insulation: B

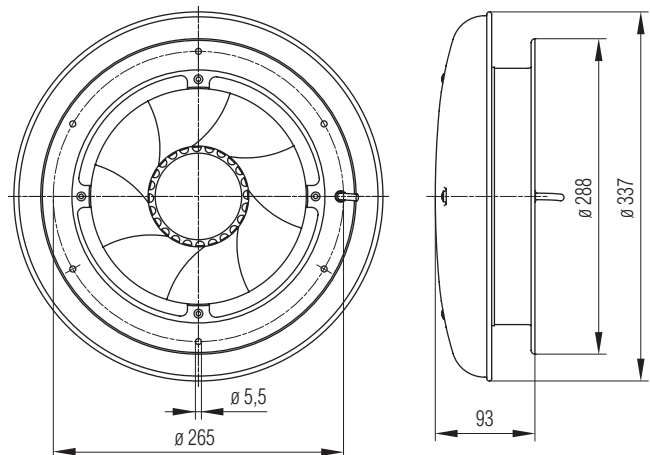
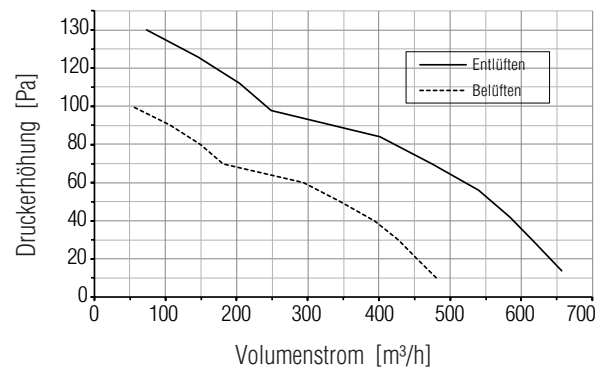
- Accessories:**
- Protective grille
Article No. 642 338 000
 - Reversing switch for AC power
Article No. 642 331 000
 - Roof cover without lamp
Article No. 642 360 000

Material: Aluminium

Surface: Powder-coated in RAL 7035 light grey

Weight: 2.4 kg/each

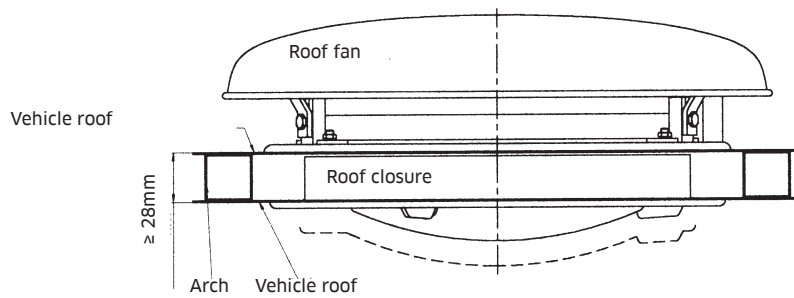
Article No. 642 325 001



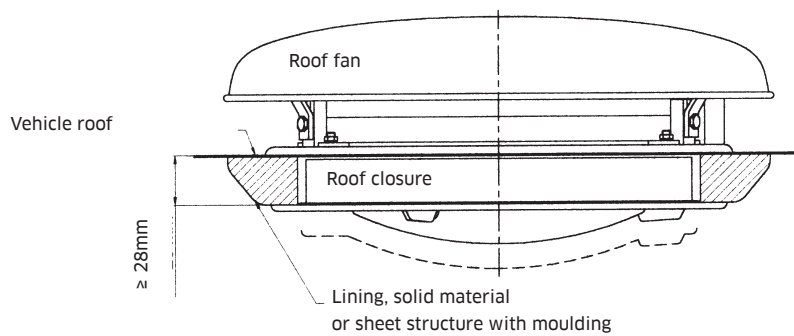
Performance data	Ventilation	Deaeration
Air throughput free blowing (m³/h)	480	650
Pressure rise (Pa)	110	150
Max power consumption (W)	60	67
Speed (1/min.)	2600	2550
Weight (kg)	2.4	2.4

Electric roof ventilators

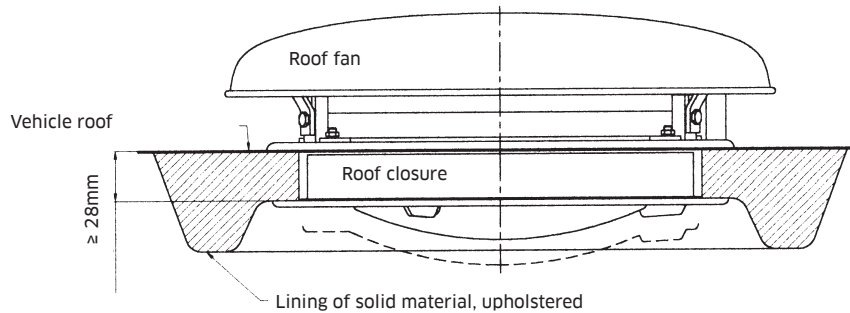
Scenario a) Installation in a vehicle with appropriate roof thickness



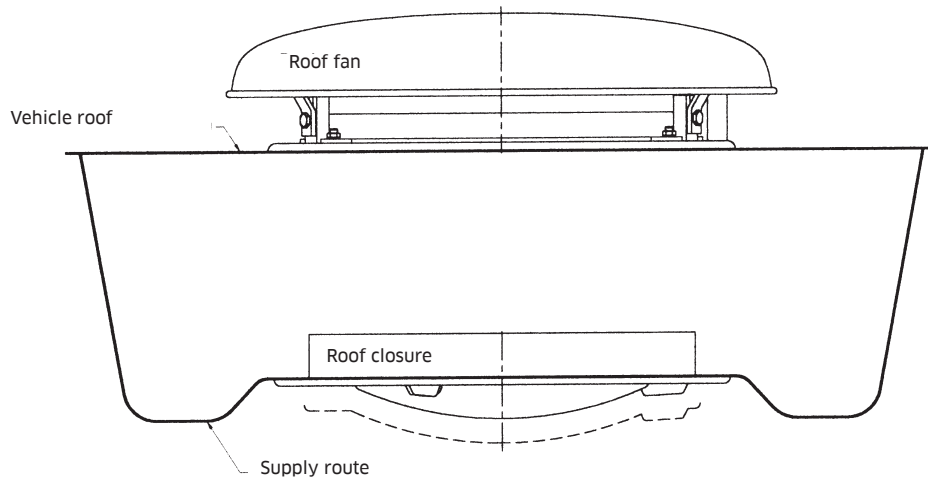
Scenario b) For installation in a vehicle without strut with filling elementelement



Scenario c) Installation in a vehicle without arch with upholstered lining. Used as head protection in low vehicles (ambulance).



Scenario d) Installation in a vehicle with supply route (RTW)



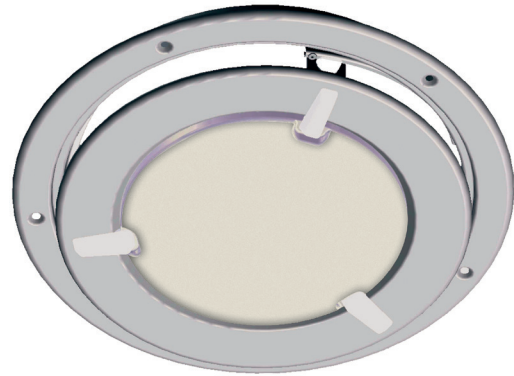
All technical specifications contained in this brochure are approximate and no guarantee is given as to their accuracy. Designs are subject to change.

Accessories for roof ventilators

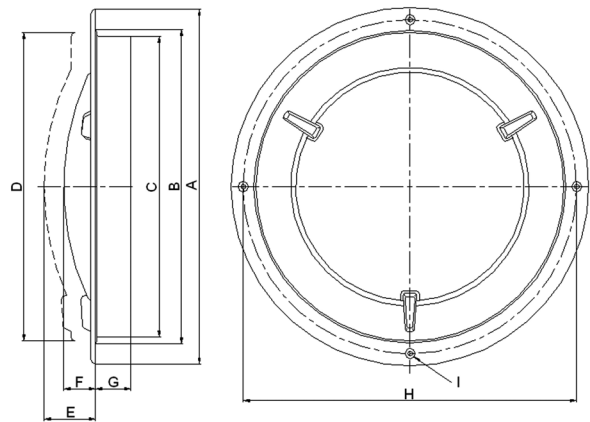
Roof cover with LED light for 12V/24V

- For infinitely adjustable air control with integrated lamp.
- Ring and cover constructed of aluminium, chromated and powder-coated in RAL 7035 light grey
- Glare shield constructed of polycarbonate, opal

Weight: 0.30 kg / 0.38 kg
 Article No. 642 355 002 for DL 195 / DE 200
 642 365 002 for DL 230



Type	A	B	C	D	E	F	G	H	I
	∅	∅	∅	∅	∅	∅	∅	∅	∅
	[mm]	[mm]	[mm]	[mm]	[mm]	[mm]	[mm]	[mm]	[mm]
642 355 002	245	208	197	203	40,5	25	28	223	5x3.9
642 365 002	282	248	237	243	40,5	25	28	263	4x3.9



Accessories for roof ventilators

Roof cover without lamp

For infinitely adjustable air control

Material: Ring and cover constructed of aluminium
Covering pane constructed of ABS, black, finely grained

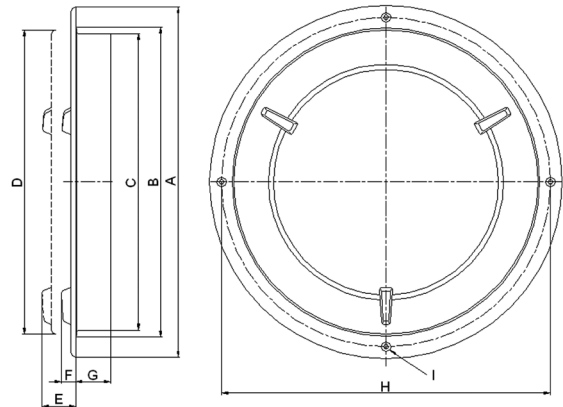
Surface: chromated and powder-coated in RAL 7035 light grey

Weight: 0.25 kg / 0.33 kg

Article No. 642 350 000 for DL 195 / DE 200
642 360 000 for DL 230 / DLW 230



Type	A	B	C	D	E	F	G	H	I
	Ø	Ø	Ø	Ø	Ø	Ø	Ø	Ø	Ø
	[mm]	[mm]	[mm]	[mm]	[mm]	[mm]	[mm]	[mm]	[mm]
642 350	245	208	197	203	27	11,5	28	223	5x3.9
642 360	282	248	237	243	27	11,5	28	263	4x3.9



Roof closure with star handle

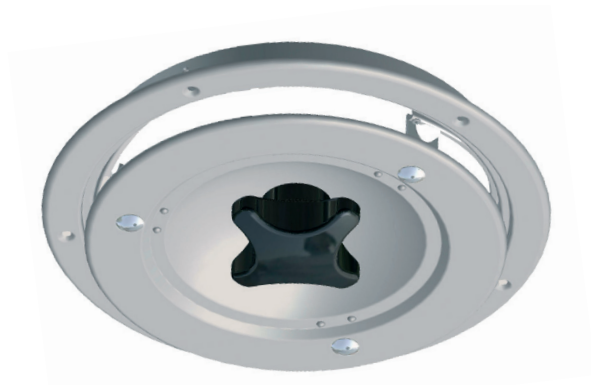
For gradual ventilation adjustment

Material: Ring and cover made of brushed aluminium
Star handle made of black plastic

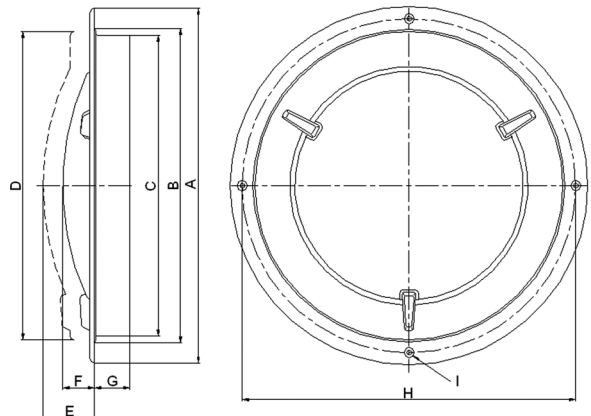
Surface: chromated and powder-coated in RAL 7035 light grey

Weight: approx. 0.36 kg/each

Article No. 642 357 000 for DL 195 / DE 200



Type	A	B	C	D	E	F	G	H	I
	Ø	Ø	Ø	Ø	Ø	Ø	Ø	Ø	Ø
	[mm]	[mm]	[mm]	[mm]	[mm]	[mm]	[mm]	[mm]	[mm]
642 357	245	208	197	203	30.5	15	28	223	5x3.9



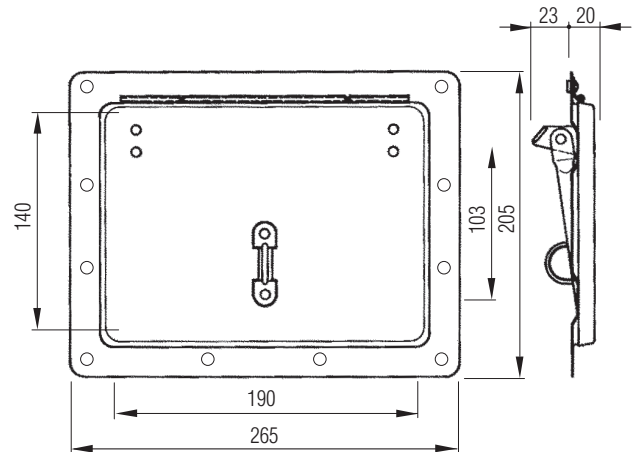
Ventilation flaps

Ventilation flap

- Especially suitable for roofs, front and rear walls, as well as for tailboards on superstructures and commercial vehicles
- Flap has inner control grip, frame is even with perforated edge
- Holes with a diameter of 4 mm. Light opening 190 x 140 mm.

Material	Outer dimensions [mm]	Weight approx. [kg/each]	Article No.
Aluminium, polished	265 x 210	0.44	641 012 000 ¹

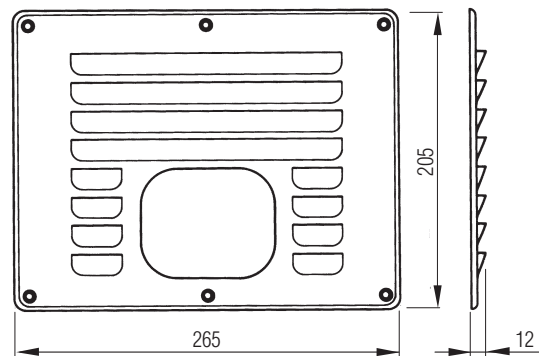
¹ with inside and outside mounted operating handle



Inner masking sheet

- with grip opening and ventilation slits, suitable for Article No. 641 010 000, 641 012 000.
- Six countersunk screw holes \varnothing 5.0 mm

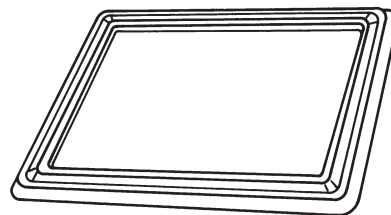
Material:	Aluminium, polished
Dimensions:	265 x 205 mm
Weight:	approx. 0.115 kg/each
Article No.	641 092 000



Sealing frame

- To be built in between the ventilation flap 641 010 000/ 641 012 000 and the roof of the vehicle, unperforated

Material:	Rubber, black
Dimensions:	260 x 205 mm
Weight:	approx. 0.15 kg/each
Article No.	641 082 000

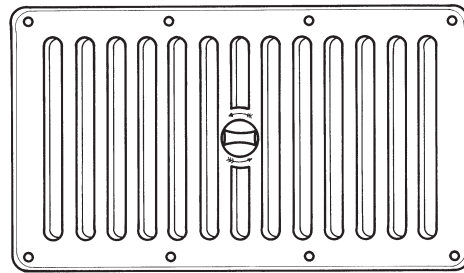


Sliding ventilator

Sliding ventilator, plastic

- With 13 flat channels, length 165 mm each.
- 8 screw holes, diameter 3,2 mm. The ventilator is opened and shut by means of a central turning handle with cam action

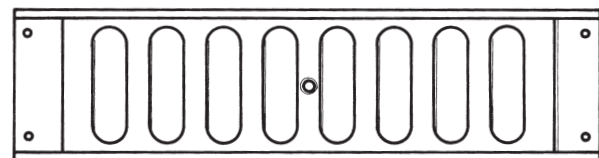
Material: Polystyrol, ivory coloured
Dimensions: Outer 385 x 220 mm
 Assembly dimensions 355 x 186 mm
 Assembly depth 11 mm
Weight: approx. 0.365 kg/each
Article No. 640 300 000



Sliding ventilator, aluminium, polished

- With flat channels and aluminium control button
- 4 screw holes, diameter 3 mm

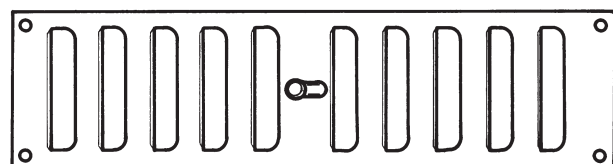
Width [mm]	Length [mm]	Channels		Weight approx. [kg/each]	Article No.
		Number [each]	Length [mm]		
70	250	6	50	0,065	640 320 000
	350	9	50	0,085	640 325 000
100	310	8	75	0,105	640 335 000
	410	11	75	0,145	640 340 000
	500	14	75	0,180	640 345 000



Sliding ventilator, aluminium, polished

- With cochate channels and aluminium control button
- 4 screw holes, diameter 3 mm

Width [mm]	Length [mm]	Channels		Weight approx. [kg/each]	Article No.
		Number [each]	Length [mm]		
110	280	6	80	0,155	640 360 000
	410	10	80	0,225	640 370 000



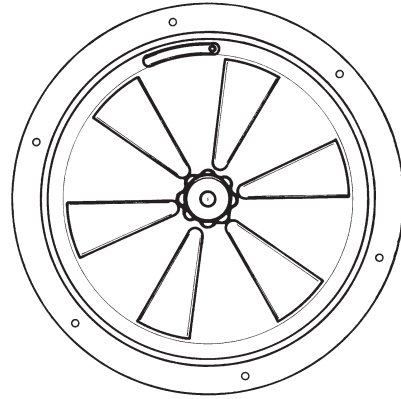
All technical specifications contained in this brochure are approximate and no guarantee is given as to their accuracy. Designs are subject to change.

Sliding ventilator

Drop base ventilation rosette, aluminium, polished

- Rotatable, air stream can be regulated by means of a handwheel
- Screw hole diameter 3,5 mm

Outer-ø [mm]	Installation opening ø [mm]	Fastening holes [each]	Weight approx. [kg/each]	Article No.
160	140	4	0,095	640 625 000
250	210	6	0,195	640 640 000



Covering sheets

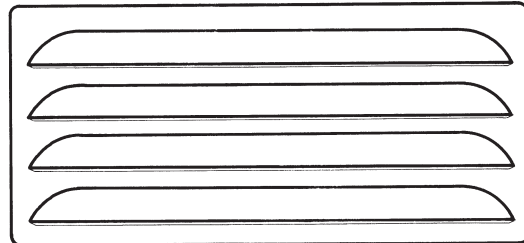
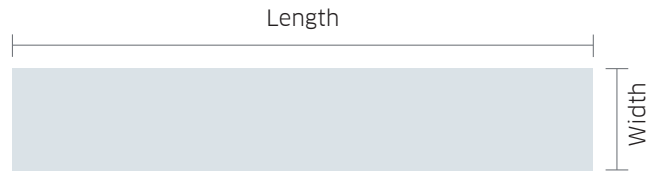
Covering sheets, aluminium, mill finished

With horizontal conchate channelling

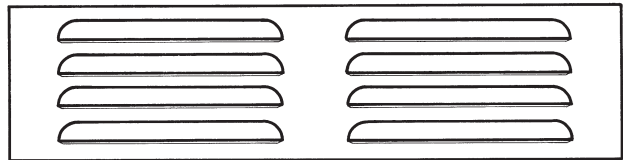
Width	Length	Channels		Weight approx.	Article No.
		Number	Length		
[mm]	[mm]	[each]	[mm]	[kg/each]	
80	250	3	200	0.05	640 110 000
	310	3	260	0.06	640 115 000
	400	3	320	0.09	640 120 000
110	310	4	260	0.09	640 130 000
	410	4	320	0.12	640 140 000
	500	2x4	180	0.15	640 150 000
200	440	4	400	0.33	640 180 000

Approximate air-flow rates

640 110: 36.0 cm ²	640 140: 76.8 cm ²
640 115: 39.0 cm ²	640 150: 86.4 cm ²
640 120: 57.6 cm ²	640 180: 224.0 cm ²
640 130: 52.0 cm ²	



640 110 000 - 640 180 000

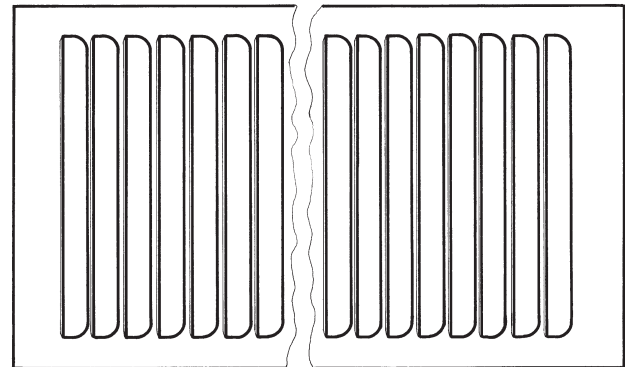


640 150 000

Covering sheet

With 27 vertical conchate channels, each 180 mm long

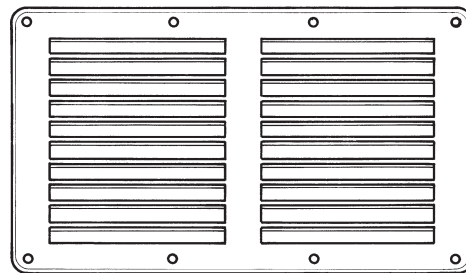
Material:	Aluminium, mill finished
Dimensions:	560 x 220 mm (length x width)
Weight:	approx. 0.33 kg/each
Air-flow:	229.5 cm ²
Article No.	640 190 000



Covering sheet, plastic

With 2 x 10 horizontal conchate channels to the inside, 8 screw holes, diameter 3.2 mm.

Material:	Polystyrol, ivory coloured
Dimensions:	Outer 385 x 220 mm Assembly dimensions 355 x 186 mm Assembly depth 16 mm
Weight:	approx. 0.415 kg/each
Article No.	640 200 000



Titgemeyer GmbH & Co. KG

Hannoversche Straße 97
49084 Osnabrück / DE

P.O. Box 4320
49033 Osnabrück / DE

T +49 541 5822-0
E info@titgemeyer.com
W titgemeyer.com