

Part No. 99-0150

# HL 85

Double-lever hand tool  
for installation of rivet nuts  
and rivet studs  
from M3 to M8



## Scope of use:

Rivet nuts	M3	M4	M5	M6	M8	M10	M12
Aluminium, Brass	✓	✓*	✓*	✓*	✓		
Steel	✓	✓*	✓*	✓*	✓		
Stainless	✓	✓*	✓*	✓*	✓		

Mandrels & anvils  
included

	✓	✓	✓	✓		
--	---	---	---	---	--	--

\* including pulling bolts

## Technical parameters:

Model	HL 85
Working stroke	7 mm
Weight	1.9 kg
Length	130 mm
Height	410 mm

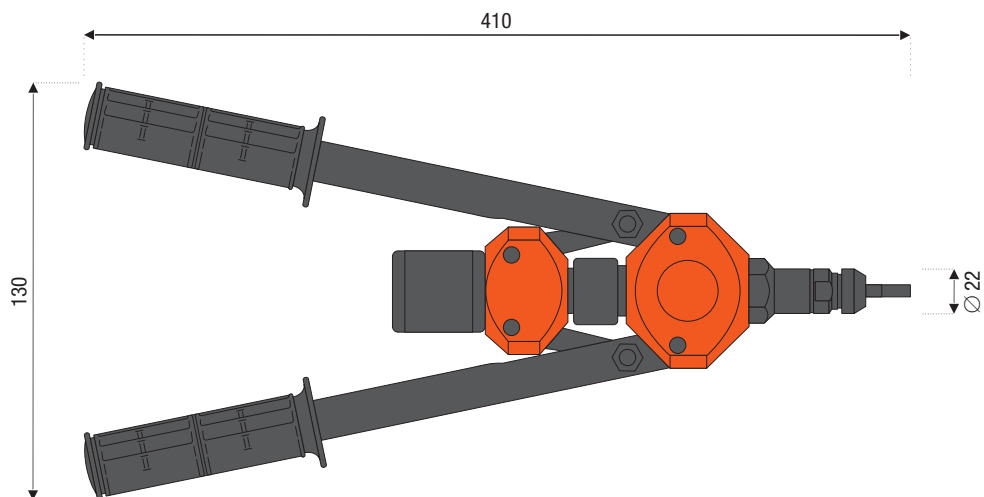
## Description:

- used to install medium and large series of standard rivet nuts and rivet studs
- easy adjustable stroke
- robust construction
- comfortable and fast operation
- low purchase price
- compact dimensions
- low weight



Dimensions of tool:

# HL 85



## Standard accessories:

Description	Part No.
Mandrel M4	87-0040
Mandrel M5	87-0041
Mandrel M6	87-0042
Mandrel M8	87-0043
Anvil 4	87-0027
Anvil 4.8/5	87-0028
Anvil 6	87-0029
Anvil 8	87-0030

## Optional accessories:

Description	Part No.
Pulling bolt M4	87-0046
Pulling bolt M5	87-0047
Pulling bolt M6	87-0048
Pulling bolt M8	87-0049
Mandrel M3	87-0039
Anvil 3	87-0026