

TIFAS[®] bulb-tite blind rivets



Copyright

All texts, images, technical documents and other information contained in this catalogue are subject to copyright held by Titgemeyer GmbH & Co. KG. Any reproduction or disclosure, whether as a copy or other form of duplication or use, is expressly prohibited without the prior consent of Titgemeyer GmbH & Co. KG.

Registered trademarks

The trademarks BÖRTI, GETO, GETO therm, GETOVAN, GTO, LockBolt, MEGA PORT, plasti van, PLYFIX, POLYSTIC, press-ti, RIEKO, RIV-TI, ROLL-TO, TIBOLT, TIBULB, TIFAS, TILA, TIOS and Titgemeyer are registered trademarks and the intellectual property of Titgemeyer GmbH & Co. KG.

Term of Delivery and Payment

All deliveries are carried out in compliance with our Terms of Delivery and Payment.

Limitation of liability

All technical data, performance descriptions, drawings, illustrations, measurements, weights or any other performance data, recommendations and guidelines contained in this catalogue and relating to the installation of parts that we supply are only binding if so expressly agreed. Moreover, the user is obliged at all times to check each individual use and decide whether the components that we supply can be used as needed.

We accept liability in the case of wilful intent, gross negligence and infringement of cardinal contractual duties as well as for errors in respect of express or implied representations. Notwithstanding this, any claims for compensation not explicitly agreed to in these terms and conditions are hereby excluded in the case of customers who are not consumers and, in the case of such customers, who are not consumers, at all events limited to the damage foreseeable at the time of concluding the contract as well as to the value of the delivered consignment. To the extent that our liability is excluded or limited, this shall extend accordingly to the personal liability of employees, legal representatives and vicarious agents. In all instances of gross negligence committed by vicarious agents, we shall solely be liable to customers, who are not consumers, to compensate for typically foreseeable damage. The statutory regulation governing the burden of proof shall remain unaffected. The aforementioned limitation of liability shall not apply to claims resulting from product liability, for damage resulting from injury to life, limb or health, or for damage to privately used property.

All technical specifications contained in this brochure are approximate and no guarantee is given as to their accuracy. Designs are subject to change.

Contents

Page

TIFAS® bulb-tite blind rivets	Overview		4
	Flat head	with neoprene washer, aluminium/aluminium	6
	Flat head	without neoprene washer, aluminium/aluminium	7
	Truss head	with neoprene washer, aluminium/aluminium	8
	Truss head	without neoprene washer, aluminium/aluminium	9
	Truss head	with neoprene washer, steel/steel	10
	Truss head	without neoprene washer, steel/steel	11

TIFAS®

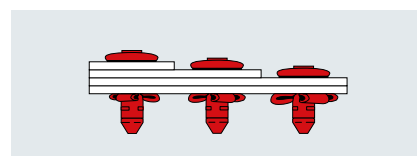
bulb-tite blind rivets



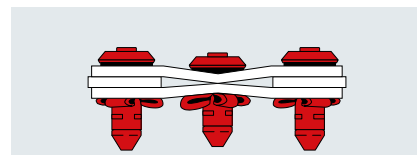
The outstanding feature of TIFAS® bulb-tite blind rivets is their clamp strength. During the installation process, three star-shaped legs are formed on the blind side to create a wide, blind side footprint big enough to cover even large drilled hole tolerances. This feature makes TIFAS® bulb-tite blind rivets suitable for materials with deviating thicknesses and uneven surfaces as well as for soft and thin material. The high shear strength and secure (vibration-resistant) retention of the mandrel sets the TIFAS® bulb-tite blind rivet apart from other blind side folding leg rivets (large grip range, clamp force distribution across a large area). Versions with a pre-fitted neoprene washer can also be used for airtight and watertight rivet applications.

Installation is also possible on offset drilled holes so long as the rivet head can be pushed through. With the aid of a blind rivet installation tool fitted with a special nose piece, the installed blind rivets are mechanically secured and annular. Blind rivet installation tools with a suitable range of performance and fitted with a special nose piece are required. TIFAS® bulb-tite blind rivets have long since proven their worth as the ideal fastener in roof and facade construction as well as bodywork and vehicle construction.

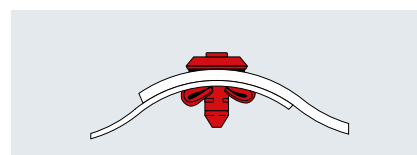
Large grip range



High clamp force



Curved mating surfaces

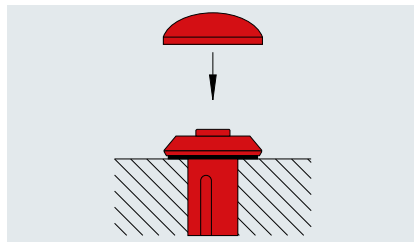


Benefits at a glance

- Universal use
- Mandrel remains secured; the mandrel always snaps off at the same position or inside the rivet head.
- Large grip range reduces storage needs
- Corrosion-resistant - aluminium and galvanised steel rivets
- Watertight in combination with a neoprene washer
- Ideal for hard/soft connections
- Large blind-side footprint
- Quick and secure installation
- Permanent secure fixing
- Heatless installation means component will not warp
- Eliminates extensive refinishing
- Combines various materials such as metals and plastics
- Ideal for lightweight constructions
- One-sided installation. No back access required
- Securely retained mandrel ensures spent mandrel is very snugly fitted inside the installed rivet
- Shock-proof through patented rivet installation
- Little to no bearing pressure, resulting in no damage to hole surface
- Versatile use on flat or curved surfaces
- Special designs can be manufactured for larger order volumes

Applications

- General industry
- Automotive industry
- Bodywork and vehicle manufacture
- Construction industry, especially roof and facade construction

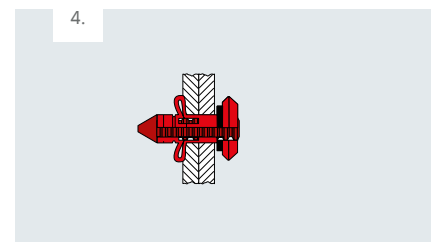
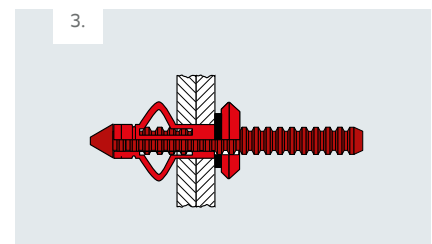
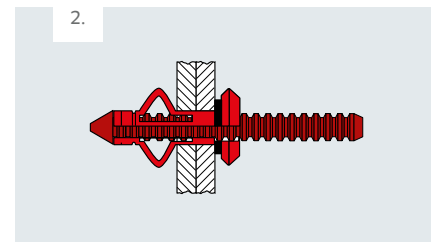
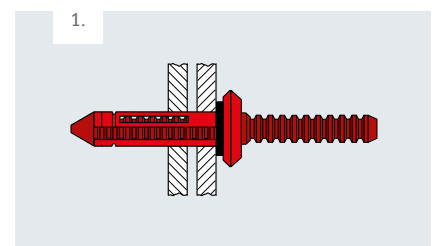


Coloured plastic caps

Matching plastic caps in numerous RAL colours are available for TIFAS® bulb-tite blind rivets. TIFAS® bulb-tite blind rivets can also be supplied with powder-coated or varnished heads, including in a desired RAL colour.

Miscellaneous

- General building control approval No. Z-14.1-4 Annex 2.10 and Z-14.1-537
- A special nose piece is required for installation.



TIFAS® bulb-tite blind rivets

Flat head with neoprene washer

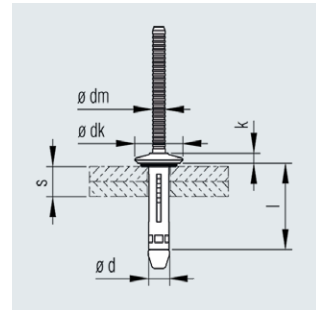
Material

Sleeve

Aluminium AlMg 5,
waxed

Mandrel

Aluminium AlCuMg 1,
waxed



Nominal \varnothing d [mm]	Bore \varnothing [mm]	Grip range s [mm]	Blind sleeve l ± 0.5 [mm]	Blind rivet head		Mandrel \varnothing dm nom. [mm]	Nominal strength at break*		Article No.
				\varnothing dk ± 0.4 [mm]	Height k max [mm]		Shear N	Tensile N	
4.1	4.2	1.7 - 6.4	20.3	8.9	2.6	2.4	1550	1000	410 002 000
		6.4 - 12.7	25.1	8.9	2.6	2.4	1550	1000	410 003 000
5.2	5.3 - 5.5	1.3 - 4.7	17.5	11.6	3.2	2.9	2700	1900	410 008 000
		2.7 - 6.4	19.1	11.6	3.2	2.9	2700	1900	410 009 000
		4.7 - 9.5	22.2	11.6	3.2	2.9	2700	1900	410 010 000
		7.9 - 12.7	25.4	11.6	3.2	2.9	2700	1900	410 011 000
		11.1 - 15.9	28.6	11.6	3.2	2.9	2700	1900	410 012 000
		14.3 - 19.1	31.8	11.6	3.2	2.9	2700	1900	410 013 000

* Strengths at break relate to rivet failure

* DIBT approval no. Z-14.1-4

Matching plastic caps in a variety of colours available on request for TIFAS® folding leg blind rivets.

Blind rivet installation tools with a suitable range of performance and fitted with a special nose piece required.

Other designs available on request.

TIFAS® bulb-tite blind rivets

Flat head without neoprene washer

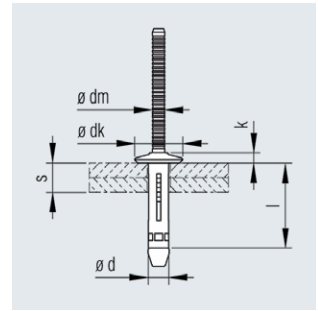
Material

Sleeve

Aluminium AlMg 5,
waxed

Mandrel

Aluminium AlCuMg 1,
waxed



Nominal Ø d [mm]	Bore Ø [mm]	Grip range s [mm]	Blind sleeve l ±0.5 [mm]	Blind rivet head		Mandrel Ø dm nom. [mm]	Nominal strength at break*		Article No.
				Ø dk ±0.4 [mm]	Height k max [mm]		Shear N	Tensile N	
4.1	4.2	1.7 - 6.4	20.3	8.9	2.6	2.4	1550	1000	410 032 000
		6.4 - 12.7	25.1	8.9	2.6	2.4	1550	1000	410 033 000
5.2	5.3 - 5.5	1.3 - 4.7	17.5	11.6	3.2	2.9	2700	1900	410 038 000
		2.7 - 6.4	19.1	11.6	3.2	2.9	2700	1900	410 039 000
		4.7 - 9.5	22.2	11.6	3.2	2.9	2700	1900	410 040 000
		7.9 - 12.7	25.4	11.6	3.2	2.9	2700	1900	410 041 000
		11.1 - 15.9	28.6	11.6	3.2	2.9	2700	1900	410 042 000
		14.3 - 19.1	31.8	11.6	3.2	2.9	2700	1900	410 043 000

* Strengths at break relate to rivet failure

* DIBT approval no. Z-14.1-4

Matching plastic caps in a variety of colours available on request for TIFAS® folding leg blind rivets.

Blind rivet installation tools with a suitable range of performance and fitted with a special nose piece required.

Other designs available on request.

TIFAS® bulb-tite blind rivets

Truss head with neoprene washer

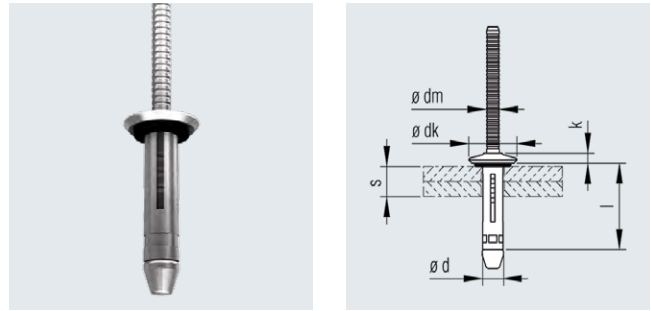
Material

Sleeve

Aluminium AlMg 5,
waxed

Mandrel

Aluminium AlCuMg 1,
waxed



Nominal \varnothing d [mm]	Bore \varnothing [mm]	Grip range s [mm]	Blind sleeve l ± 0.5 [mm]	Blind rivet head		Mandrel \varnothing dm nom. [mm]	Nominal strength at break*		Article No.
				\varnothing dk ± 0.4 [mm]	Height k max [mm]		Shear N	Tensile N	
6.3	6.4 - 6.6	3.2 - 9.5	23.40	14.0	3.9	3.9	4200	2500	410 022 000
		6.4 - 12.7	26.50	14.0	3.9	3.9	4200	2500	410 023 000
		9.5 - 15.8	29.70	14.0	3.9	3.9	4200	2500	410 024 000

* Strengths at break relate to rivet failure

Matching plastic caps in a variety of colours available on request for TIFAS® folding leg blind rivets.

Blind rivet installation tools with a suitable range of performance and fitted with a special nose piece required.

Other designs available on request.

TIFAS® bulb-tite blind rivets

Truss head without neoprene washer

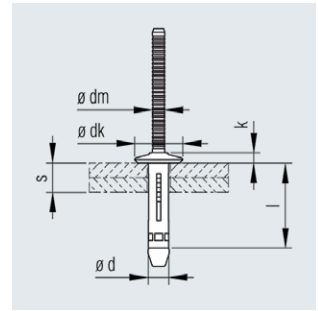
Material

Sleeve

Aluminium AlMg 5,
waxed

Mandrel

Aluminium AlCuMg 1,
waxed



Nominal \varnothing d [mm]	Bore \varnothing [mm]	Grip range s [mm]	Blind sleeve l ± 0.5 [mm]	Blind rivet head		Mandrel \varnothing dm nom. [mm]	Nominal strength at break*		Article No.
				\varnothing dk ± 0.4 [mm]	Height k max [mm]		Shear N	Tensile N	
6.3	6.4 - 6.6	3.2 - 9.5	23.40	14.0	3.9	3.9	4200	2500	410 052 000
		6.4 - 12.7	26.50	14.0	3.9	3.9	4200	2500	410 053 000
		9.5 - 15.8	29.70	14.0	3.9	3.9	4200	2500	410 054 000

* Strengths at break relate to rivet failure

Matching plastic caps in a variety of colours available on request for TIFAS® folding leg blind rivets.

Blind rivet installation tools with a suitable range of performance and fitted with a special nose piece required.

Other designs available on request.

TIFAS® bulb-tite blind rivets

Truss head with neoprene washer

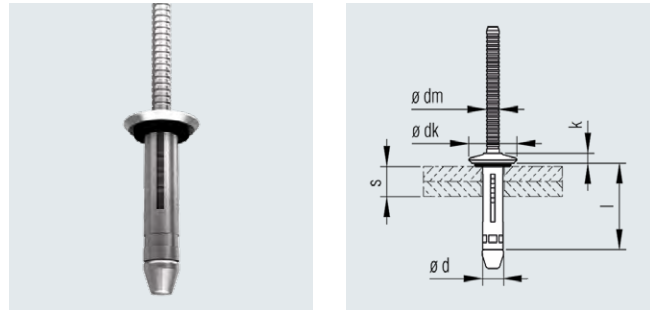
Material

Sleeve

Steel, galvanised,
waxed

Mandrel

Steel, galvanised,
waxed



Nominal \varnothing d [mm]	Bore \varnothing [mm]	Grip range s [mm]	Blind sleeve l ± 0.5 [mm]	Blind rivet head		Mandrel \varnothing dm nom. [mm]	Nominal strength at break*		Article No.
				\varnothing dk ± 0.4 [mm]	Height k max [mm]		Shear N	Tensile N	
6.3	6.4 - 6.6	1.0 - 6.4	20.2	14	3.9	3.9	5500	4200	410 120 000
		3.2 - 9.5	23.4	14.0	3.9	3.9	5500	4200	410 121 000
		6.4 - 12.7	26.5	14.0	3.9	6.3	5500	4200	410 122 000
		9.5 - 15.8	29.7	14.0	3.9	6.3	5500	4200	410 123 000

* Strengths at break relate to rivet failure

Blind rivet installation tools with a suitable range of performance and fitted with a special nose piece required.

Other designs available on request.

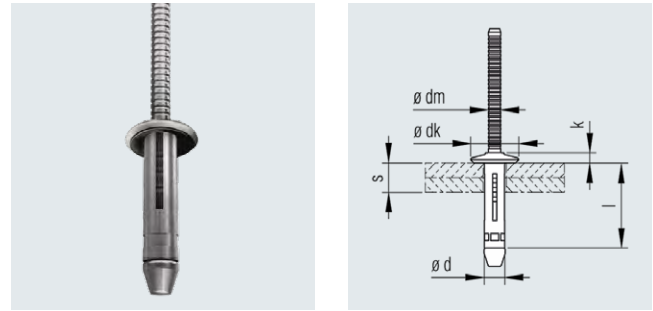
TIFAS® bulb-tite blind rivets

Truss head without neoprene washer

Material

Sleeve
Steel, galvanised,
waxed

Mandrel
Steel, galvanised,
waxed



Nominal \varnothing d [mm]	Bore \varnothing [mm]	Grip range s [mm]	Blind sleeve l ± 0.5 [mm]	Blind rivet head		Mandrel \varnothing dm nom. [mm]	Nominal strength at break*		Article No.
				\varnothing dk ± 0.4 [mm]	Height k max [mm]		Shear N	Tensile N	
6.3	6.4 - 6.6	1.0 - 6.4	20.2	14	3.9	3.9	5500	4200	410 150 000
		3.2 - 9.5	23.4	14.0	3.9	3.9	5500	4200	410 151 000
		6.4 - 12.7	26.5	14.0	3.9	6.3	5500	4200	-
		9.5 - 15.8	29.7	14.0	3.9	6.3	5500	4200	-

* Strengths at break relate to rivet failure

Blind rivet installation tools with a suitable range of performance and fitted with a special nose piece required.

Other designs available on request.

About us

The Titgemeyer Group is a leading company for fastening technology and vehicle components at 15 locations in Europe.

The traditional company develops, manufactures and sells more than 30,000 fastening elements, tools and vehicle components – in series production and on request.

Headquarters

Titgemeyer GmbH & Co. KG
Hannoversche Straße 97
49084 Osnabrück / DE

PO Box 4320
49033 Osnabrück / DE

T +49 541 5822-0
E info@titgemeyer.com
W titgemeyer.com



Sales locations

Titgemeyer Austria GmbH
Brunner Straße 77 - 79
1230 Wien / AT

T +43 (0) 1/6 67 90 40 - 0
E sales@titgemeyer.com
W titgemeyer.at

Titgemeyer CZ spol. s r. o.
U Vodárny 1506
397 01 Písek / CZ

T +420 382 2067 - 25
E sales@titgemeyer.com
W titgemeyercz.cz

Titgemeyer Polska sp. z o.o.
Cypriana Bazylika 17
98-200 Sieradz / PL

T +48 (0) 43 828 20 - 15
E sales@titgemeyer.com
W titgemeyer.pl

Titgemeyer Skandinavien A/S
Lunikvej 32
2670 Greve / DK

T +45 4360 0966
E info@titgemeyer.dk
W titgemeyer.dk

Titgemeyer Skandinavien A/S
Box 3218
550 03 Jönköping / SE

T +46 36 128350
E info@titgemeyer.se
W titgemeyer.se

Titgemeyer Skandinavien A/S
Korkeakoulunkatu 7
33720 Tampere / FI

T +358 (0) 400 448 401
E info@titgemeyer.fi
W titgemeyer.fi

Titgemeyer Turkey Baglanti Teknolojileri San. ve Tic. A.S.
Barbaros Mah. Is Merkezi No.1
Kat: 8 D.58
34746 Atasehir, Istanbul / TUR

T +90 (0) 21 66 88 20 - 27
E sales@titgemeyer.com.tr
W titgemeyer.com.tr

Titgemeyer (UK) Limited
A2 Link One Industrial Park
George Henry Road
DY4 7BU Tipton / UK

T +44 (0) 1 21 5 57 97 - 77
E sales@titgemeyer.co.uk
W titgemeyer.co.uk

Production sites

Cirteq Limited
'Hayfield' Colne Road,
Glusburn, Keighley,
West Yorkshire, BD20 8QP

T +44 1535 633333
E sales@cirteq.com
W cirteq.com

Titgemeyer Tools & Automation spol s.r.o.
U Vodárny 1506
397 01 Písek / CZ

T +42 382 2067 - 11
E info@rivetec.cz
W rivetec.cz

RIEKO GmbH
Robert-Bosch-Straße 9
72124 Pliezhausen / DE

T +49 7127 9744 - 0
E info@rieko-web.com
W rieko-web.com

Titgemeyer GmbH & Co. KG Werk Lotte
Daimlerstraße 13 - 15
49504 Lotte / DE

T +49 5404 9666 - 0
E info@titgemeyer.com
W titgemeyer.com

TS Gesellschaft für Transport- und Sicherungssysteme mbH
Haßlinghauser Straße 156
58285 Gevelsberg / DE

T +49 541 5822 - 900
E ts@cargocontrol.de
W wir-sind-ladungssicherung.de