

Part No. 99-0015

HL 6

Double-lever hand tool
for installation of blind rivets
from 4 to 6.4 mm



Scope of use:

Ø of the rivet	2.4	3 / 3.2	4	4.8 / 5	6	6.4
Aluminium, Copper, Brass			✓	✓	✓	✓
Steel			✓	✓	✓	✓
Stainless			✓	✓	✓	✓

Nosepieces
included:

		✓	✓	✓	✓
--	--	---	---	---	---

Technical parameters:

Model	HL 6
Working stroke	11.5 mm
Weight	1.8 kg
Length	480 mm
Height	150 mm

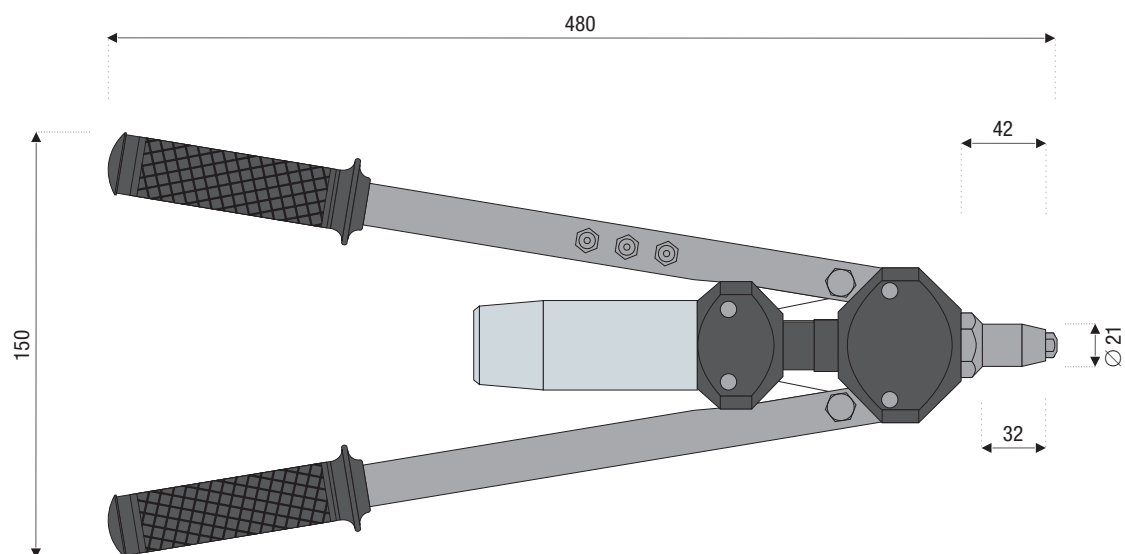
Description:

- used to install small and medium series of standard rivets
- high efficiency
- low maintenance demands
- comfortable operation



Dimensions of tool:

HL 6



Standard accessories:

Description	Part No.
Nosepiece 4	87-0018
Nosepiece 4.8/5	87-0019
Nosepiece 6	87-0020
Nosepiece 6.4	87-0021
Jaws Set	87-0052
Mandrel Collector	87-0287