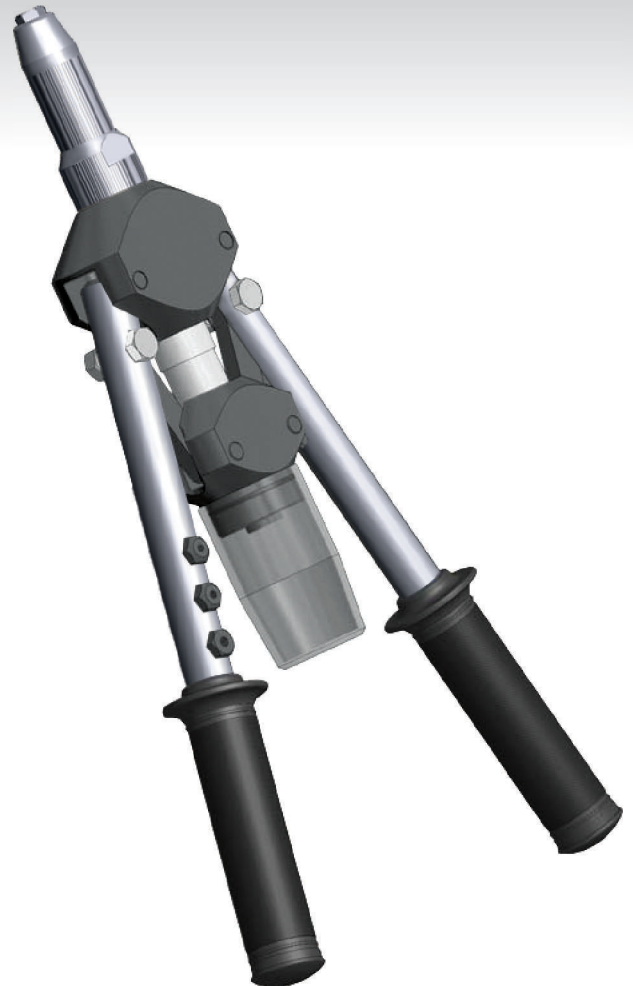


Part No. 99-0014

# HL 5M

Double-lever hand tool for installation of blind rivets from 4 to 6.4 mm

Adjustable nozzle allows the optimal setting of pliers for comfortable riveting



## Scope of use:

Ø of the rivet	2.4	3 / 3.2	4	4.8 / 5	6	6.4
Aluminium, Copper, Brass			✓	✓	✓	✓
Steel			✓	✓	✓	
Stainless				✓	✓	✓

Nosepieces included:

		✓	✓	✓	✓
--	--	---	---	---	---

## Technical parameters:

Model	HL 5M
Working stroke	11.5 mm
Weight	1.7 kg
Length	430 mm
Height	130 mm

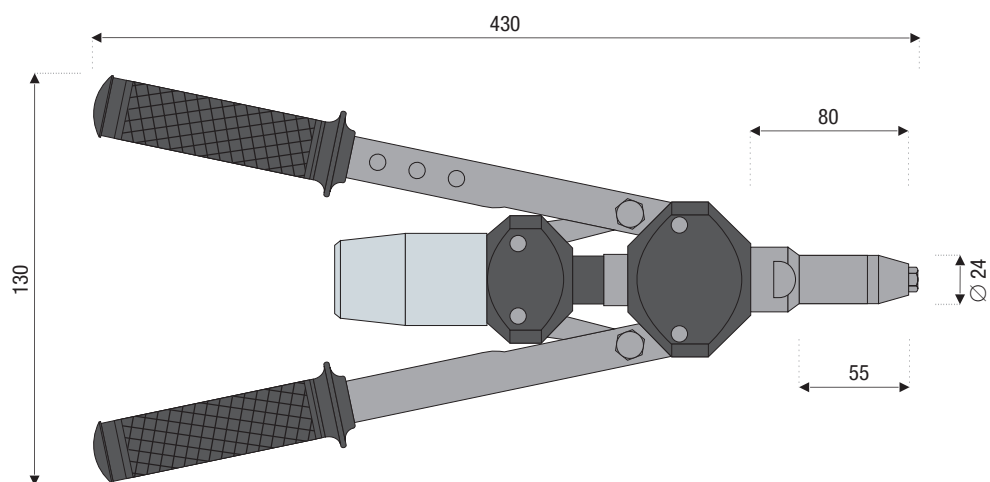
## Description:

- used to install small and medium series of rivets
- nozzle allows the adjustment of the tool for comfortable riveting
- high efficiency and reliability
- robust construction
- comfortable operation
- spare nosepieces in the handle of the tool
- compact dimensions
- low weight



Dimensions of tool:

# HL5M



## Standard accessories:

Description	Part No.
Nosepiece 4	87-0018
Nosepiece 4.8/5	87-0019
Nosepiece 6	87-0020
Nosepiece 6.4	87-0021
Jaws Set	87-0052
Mandrel Collector	87-0286