

Body fittings

Ramming protection, struts and gas springs, steps and ladders, mud flaps and accessories

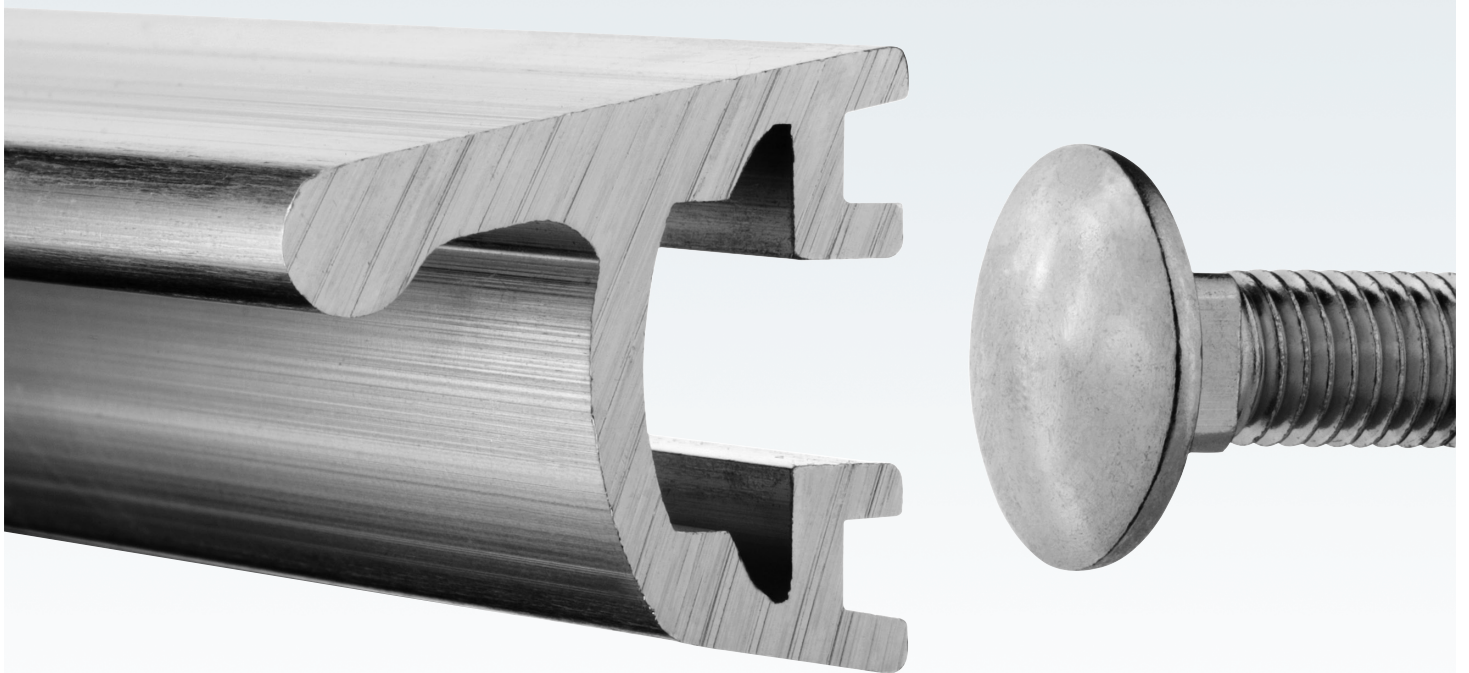


Table of Contents

Chapter	Product category		Page
Body fittings	Ramming protection	Small bumpers	60.01.01.1
		Large bumpers	60.01.02.1
		Buffer strips	60.01.03.1
		Bumper strips	60.01.04.1
	Struts and gas springs	Mechanical struts	60.02.01.1
		Gas pressured springs	60.02.02.1
	Steps and ladders	Folding steps, foldable steps	60.03.01.1
		Ladder steps, extractable ladders	60.03.02.1
		Service bridges	60.03.04.1
		Foot steps	60.03.05.1
	Mud flaps	Rear apron	60.04.01.1
		Universal-mud flaps	60.04.02.1
	Accessories	Bonnet holder	60.05.01.1
		Tarpaulin accessories	60.05.02.1
		Type plates	60.05.03.1

Product index

Numeric

Article No.	Pg.	Article No.	Pg.	Article No.	Pg.	Article No.	Pg.
299 114 000	60.01.03.1	601 480 000	60.01.04.1	602 002 000	60.06.03.1	602 195 000	60.04.02.2
589 944 000	60.01.01.1	601 485 000	60.01.04.1	602 060 000	60.04.01.1	602 196 000	60.04.02.2
601 150 000	60.01.02.13	601 490 000	60.01.04.1	602 070 000	60.04.01.1	602 203 000	60.04.02.4
601 151 000	60.01.02.13	601 495 000	60.01.04.1	602 075 230	60.04.01.1	602 204 000	60.04.02.4
601 152 000	60.01.02.13	601 505 000	60.01.03.1	602 120 000	60.04.02.1	602 206 000	60.04.02.4
601 205 000	60.01.01.1	601 506 000	60.01.03.1	602 121 000	60.04.02.1	602 207 000	60.04.02.4
601 210 000	60.01.01.1	601 510 000	60.01.03.1	602 125 000	60.04.02.2	603 990 000	60.02.02.3
601 251 000	60.01.01.1	601 517 000	60.01.03.2	602 126 000	60.04.02.2	603 992 000	60.02.02.3
601 265 000	60.01.01.1	601 518 000	60.01.03.2	602 127 000	60.04.02.2	604 000 000	60.02.02.3
601 280 000	60.01.01.2	601 625 000	60.06.02.2	602 130 000	60.04.02.2	604 002 000	60.02.02.3
601 285 000	60.01.01.2	601 635 000	60.06.02.2	602 131 000	60.04.02.2	604 004 000	60.02.02.3
601 300 000	60.01.01.2	601 637 000	60.06.02.1	602 132 000	60.04.02.2	604 006 000	60.02.02.3
601 310 000	60.01.02.1	601 644 000	60.06.02.1	602 135 000	60.04.02.2	604 010 000	60.02.02.3
601 315 000	60.01.02.1	601 661 000	60.06.02.2	602 136 000	60.04.02.2	604 012 000	60.02.02.3
601 320 000	60.01.02.1	601 675 000	60.06.02.3	602 137 000	60.04.02.2	604 014 000	60.02.02.3
601 325 000	60.01.02.1	601 693 000	60.06.02.3	602 140 000	60.04.02.2	604 016 000	60.02.02.3
601 330 000	60.01.02.2	601 699 000	60.06.02.3	602 141 000	60.04.02.2	604 020 000	60.02.02.3
601 331 000	60.01.02.2	601 805 000	60.03.05.1	602 142 000	60.04.02.2	604 022 000	60.02.02.3
601 332 000	60.01.02.2	601 809 000	60.03.01.1	602 145 000	60.04.02.2	604 024 000	60.02.02.3
601 337 000	60.01.02.3	601 812 001	60.03.02.1	602 146 000	60.04.02.2	604 026 000	60.02.02.3
601 340 000	60.01.02.3	601 814 001	60.03.02.1	602 150 000	60.04.02.2	604 032 000	60.02.02.3
601 343 000	60.01.02.5	601 820 000	60.03.02.2	602 151 000	60.04.02.2	604 034 000	60.02.02.3
601 345 000	60.01.02.5	601 822 000	60.03.02.2	602 152 000	60.04.02.2	604 036 000	60.02.02.3
601 350 000	60.01.02.6	601 834 000	60.03.04.1	602 155 000	60.04.02.2	604 037 175	60.02.02.3
601 351 000	60.01.02.6	601 835 000	60.03.01.2	602 156 000	60.04.02.2	604 037 200	60.02.02.3
601 352 000	60.01.02.7	601 835 500	60.03.01.2	602 160 000	60.04.02.2	604 038 000	60.02.02.3
601 354 000	60.01.02.7	601 837 001	60.03.01.3	602 161 000	60.04.02.2	604 039 000	60.02.02.3
601 361 000	60.01.02.10	601 838 001	60.03.01.3	602 162 000	60.04.02.2	604 065 000	60.02.02.3
601 361 000	60.03.01.1	601 840 001	60.03.01.3	602 165 000	60.04.02.2	604 067 000	60.02.02.3
601 370 000	60.01.02.9	601 846 004	60.03.01.3	602 166 000	60.04.02.2	604 069 000	60.02.02.2
601 377 000	60.01.02.8	601 847 003	60.03.01.3	602 170 000	60.04.02.2	604 069 000	60.02.02.3
601 385 000	60.01.02.10	601 848 001	60.03.01.3	602 171 000	60.04.02.2	604 080 000	60.02.02.3
601 386 000	60.01.02.10	601 850 005	60.03.01.1	602 172 000	60.04.02.2	604 101 000	60.02.02.3
601 388 000	60.01.02.11	601 852 000	60.03.04.1	602 175 000	60.04.02.2	604 101 230	60.02.02.3
601 390 000	60.01.02.12	601 868 000	60.03.04.1	602 176 000	60.04.02.2	604 102 000	60.02.02.3
601 392 000	60.01.02.11	601 872 000	60.03.04.1	602 180 000	60.04.02.2		
601 395 000	60.01.02.9	601 874 000	60.03.04.1	602 181 000	60.04.02.2		
601 400 000	60.01.02.4	601 876 000	60.03.04.1	602 182 000	60.04.02.2		
601 403 000	60.01.02.8	601 878 000	60.03.04.1	602 185 000	60.04.02.2		
601 405 000	60.01.02.8	601 890 000	60.03.01.3	602 186 000	60.04.02.2		
601 407 000	60.01.02.8	601 892 000	60.03.01.3	602 190 000	60.04.02.2		
601 409 000	60.01.02.8	601 951 000	60.06.01.1	602 191 000	60.04.02.2		
601 440 000	60.01.02.4	602 001 000	60.06.03.1	602 192 000	60.04.02.2		

Product index / Numeric

Article No.	Pg.
604 103 000	60.02.02.3
604 104 000	60.02.02.3
604 105 000	60.02.02.3
604 106 000	60.02.02.3
604 205 000	60.02.01.1
604 210 000	60.02.01.1
605 001 075	60.02.02.2
605 003 000	60.02.02.2
605 005 000	60.02.02.2
605 021 015	60.02.02.2
605 023 000	60.02.02.2
605 025 000	60.02.02.2
605 027 000	60.02.02.2
605 029 000	60.02.02.2
605 030 000	60.02.02.2
605 041 015	60.02.02.2
605 043 000	60.02.02.2
605 045 000	60.02.02.2
605 047 000	60.02.02.2
605 049 000	60.02.02.2
605 050 000	60.02.02.2
605 063 000	60.02.02.2
605 065 000	60.02.02.2
605 067 000	60.02.02.2
605 069 000	60.02.02.2
605 070 000	60.02.02.2
605 085 000	60.02.02.2
605 087 000	60.02.02.2
605 089 000	60.02.02.2
605 090 000	60.02.02.2
605 095 000	60.02.02.2
605 097 000	60.02.02.2
605 099 000	60.02.02.2
605 150 000	60.02.02.4
605 152 000	60.02.02.4
605 160 000	60.02.02.4
605 162 000	60.02.02.4
605 166 000	60.02.02.4
605 167 000	60.02.02.4
605 174 000	60.02.02.2
605 178 000	60.02.02.2
605 182 000	60.02.02.2
605 186 000	60.02.02.2
605 190 000	60.02.02.2
605 194 000	60.02.02.2
661 822 000	60.01.03.1
661 822 000	60.01.04.2

All technical specifications contained in this brochure are approximate and no guarantee is given as to their accuracy. Designs are subject to change.

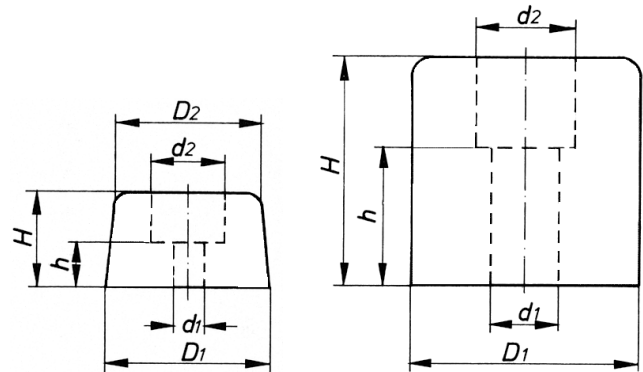
Small bumpers

GETO® Bumper

– Conical and cylindrical

Material: Rubber
 Colour: black

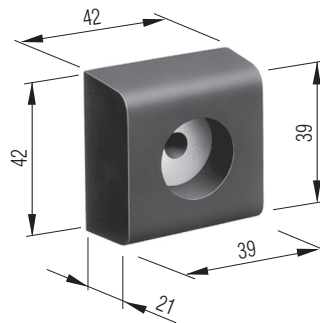
D1 [mm]	D2 [mm]	d1 [mm]	d2 [mm]	H [mm]	h [mm]	Weight approx. [kg/each]	Article No.
conical							
21.0	8.0	5.0	11.0	10.0	6.0	0.005	601 205 000
26.0	22.0	4.0	12.0	15.0	5.0	0.006	601 210 000
cylindrical							
20.0	-	2.5	8.0	16.0	8.5	0.006	601 251 000
40.0	-	6.0	17.0	33.0	16.0	0.014	601 265 000



elasti-Bumper

– With foam padded steel limpet washer

Fixing: 10 mm sunken
 Bore: 6.5 mm
 Material: Polyurethane foam
 Colour: black
 Weight: approx. 0.027 kg/each
 Article No. 589 944 000



elasti: is the brand name for TITGEMEYER parts made from Polyurethane foam

A word, at this point, about PUR integral foam. Moulded parts made of this innovative chemical substance are characterised by their clean, smooth, non-absorbent, pore-free surface. The outer coating is very tough and highly tear-resistant. The inner cellular structure forms the elastic core, which is a vital part of any moulded component designed to withstand blows and impacts. High tensile strength, extra tear resistance, the extremely favourable intrinsic weight of the moulded components and their high resistance to most oil and grease products, petrol, low-strength acids, diluted caustic solutions, etc. are all characteristics that favour the use of PUR integral foam.

We produce moulded components on the basis of samples, drawings or your specifications, in a wide range of shapes and sizes, with different foam characteristics, strengthening elements, etc. Access to our own toolmaking facilities adds even more value for your benefit. Please contact us.

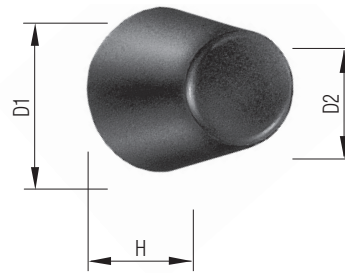
Small bumpers

GETO® Bumper with screw

- Rubber form on metal plate with screw moulded on M 10 x 27 mm
- Invisible, streamlined attachment

Material: Rubber; metal part - steel, galvanized
Colour: black

D1 [mm]	D2 [mm]	H [mm]	Weight approx. [kg/each]	Article No.
38	30	35	0.075	601 280 000
43	30	50	0.105	601 285 000

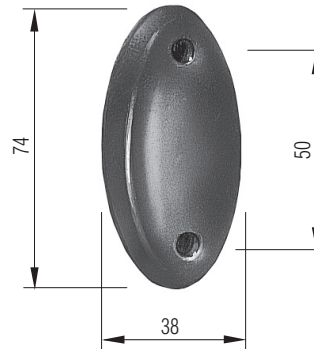


View of the rear side of the base plate with screw moulded on.

GETO® Bumper

- Good spring effect due to hollow form
- Bumper surfaces slightly cambered at every angle

Height: 27 mm
Fixing: Two countersunk screw holes with a depth of 12 mm, ø 5 mm
Material: Rubber
Colour: black
Weight: approx. 0.04 kg/each
Article No. 601 300 000

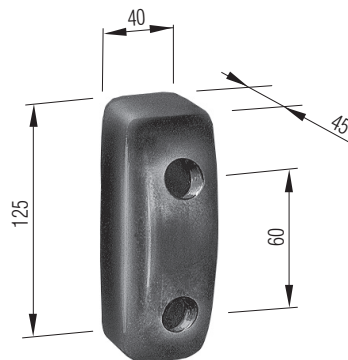


Large bumpers

GETO® Bumper 125, light

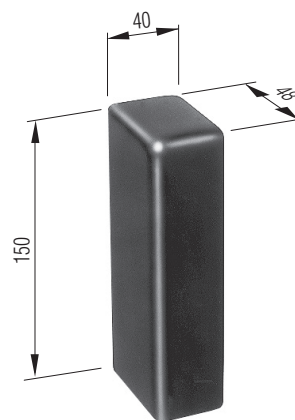
– Longitudinal bumper surfaces cambered

Fixing: Two countersunk mounting holes with a depth of 20 mm, \varnothing 8 mm
Material: Rubber
Colour: black
Weight: approx. 0.205 kg/each
Article No. 601 310 000



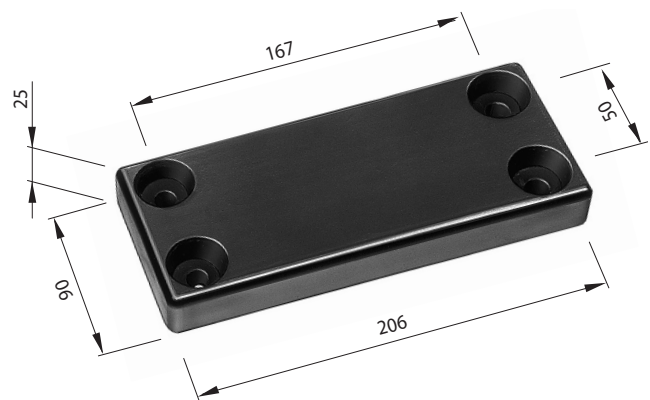
GETO® Bumper 150

Fixing: Concealed fastener, no longer visible after installation, two M 8 vulcanised saucer-head screws
Thread length: 20 mm
Space: 90 mm
Material: Rubber
Colour: black
Weight: approx. 0.36 kg/each
Article No. 601 320 000



elasti-Bumper plate

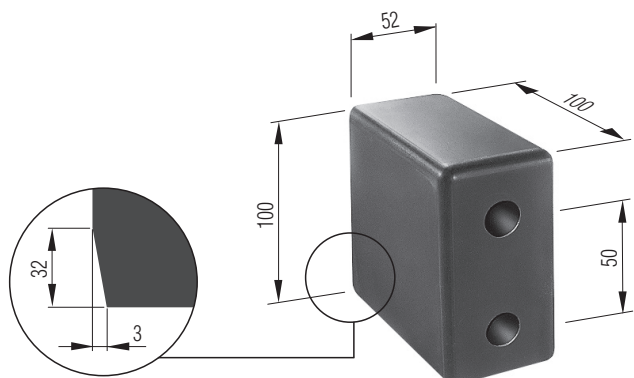
Fixing: Foam-padded steel limpet washer, with a square hole, depth 13 mm
To be attached by means of saucer-head screws with square neck M 10
Material: Polyurethane foam
Colour: black
Weight: approx. 0.41 kg/each
Article No. 601 325 000



elasti-Bumper 100

– The foam-covered spacers placed under the washers help keep the pressure force constant

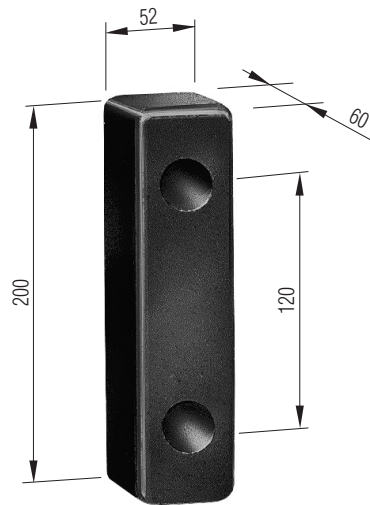
Fixing: Two 70 mm countersunk fixing holes with foam-covered steel washers
Material: Polyurethane foam
Colour: black
Weight: approx. 0.395 kg/each
Article No. 601 315 000



Large bumpers

GETO® Bumper 200

Height:	60 mm
Fixing:	<ul style="list-style-type: none"> – Two mounting holes, depth 20 mm and moulded on steel limpet washer with square hole – Saucerhead screws with square neck M 10
Material:	Rubber
Colour:	black
Weight:	approx. 0.8 kg/each
Article No.	601 330 000



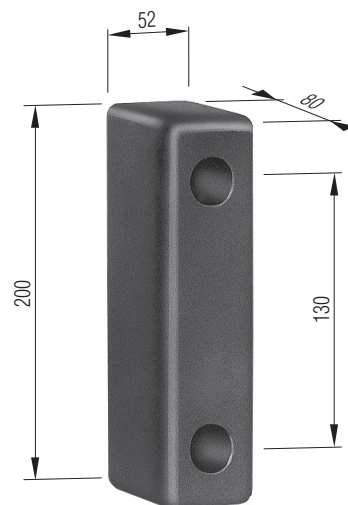
elasti Bumper 200

Height:	60 mm
Fixing:	<ul style="list-style-type: none"> – Two mounting holes, depth 20 mm and moulded on steel limpet washer with square hole – Saucerhead screws with square neck M 10
Material:	Polyurethane foam
Colour:	black
Weight:	approx. 0.3 kg/each
Article No.	601 331 000



GETO Bumper 200

Height:	80 mm
Fixing:	<ul style="list-style-type: none"> – Two 25 mm high moulded on steel limpet washers with square hole – Saucerhead screws with square neck (coach bolts)
Material:	Rubber
Colour:	black
Weight:	approx. 1.1 kg/each
Article No.	601 332 000

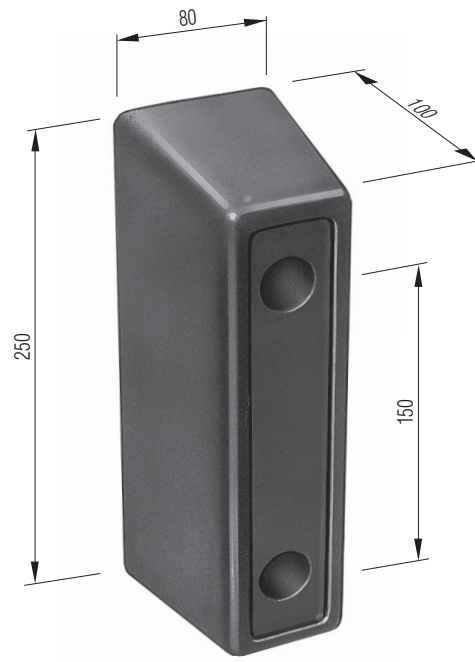


Large bumpers

elasti Bumper 250 x 80

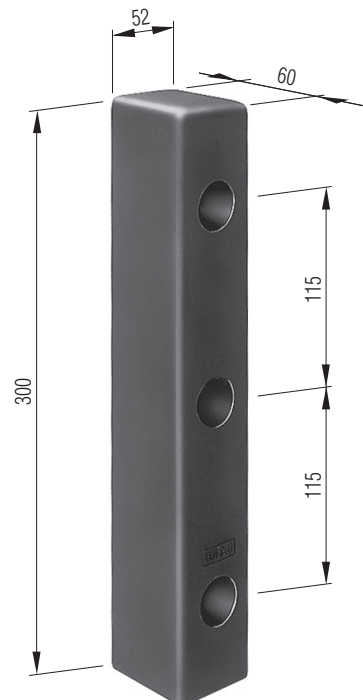
- Good spring effect, especially shock absorbing due to the inverted cavity between the mounting holes
- Between the limpet washers is a foam padded lining, hence constant pressure during mounting

Height:	100 mm
Fixing:	- Foam padded steel limpet washers in a depth of 23 mm - Square hole to be mounted with coach bolts M 10
Material:	Polyurethane foam
Colour:	black
Weight:	approx. 0.85 kg/each
Article No.	601 337 000



GETO® Bumper 300

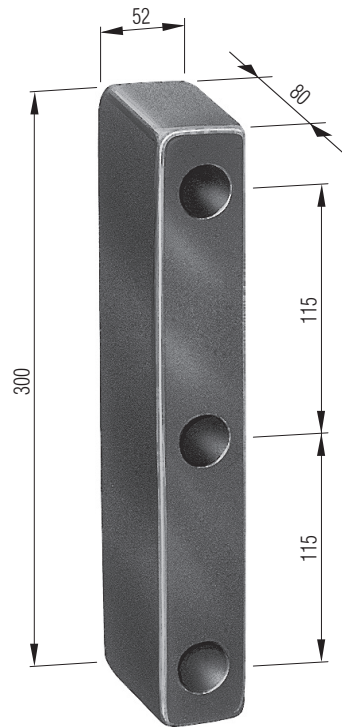
Height:	60 mm
Fixing:	- Three mounting holes countersunk, depth of 20 mm with moulded on steel limpet washers with square hole - Saucerhead screw with square neck M 10 (coach bolt)
Material:	Rubber
Colour:	black
Weight:	approx. 1.2 kg/each
Article No.	601 340 000



Large bumpers

GETO® Bumper 300

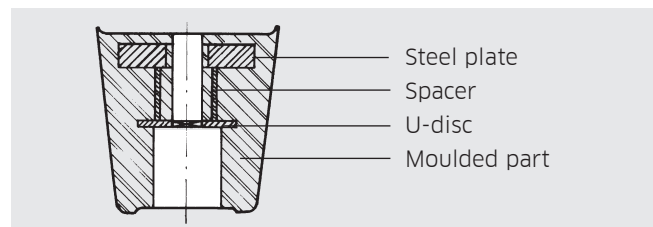
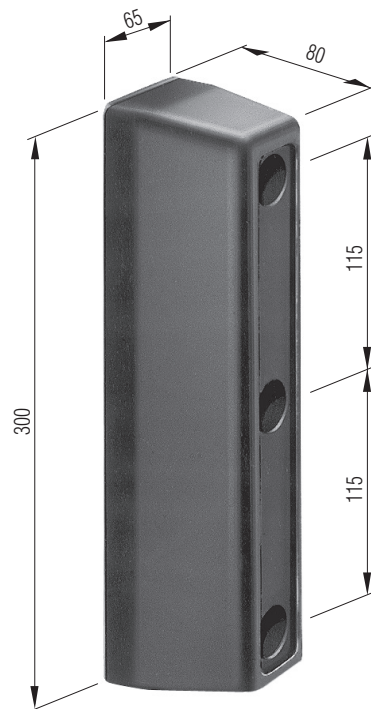
- Height:** 80 mm
- Fixing:**
- Three mounting holes countersunk, depth of 20 mm with moulded on steel limpet washers with square hole
 - Saucerhead screw with square neck M 10 (coach bolt)
- Material:** Rubber
- Colour:** black
- Weight:** approx. 1.55 kg/each
- Article No.** 601 400 000



elasti Bumper 300

- With inverted, foam padded, 10 mm thick steel plate, the large area dispersing the form which hits the bumper
- Constant pressure by distancing rods between the limpet washers and the steel plate

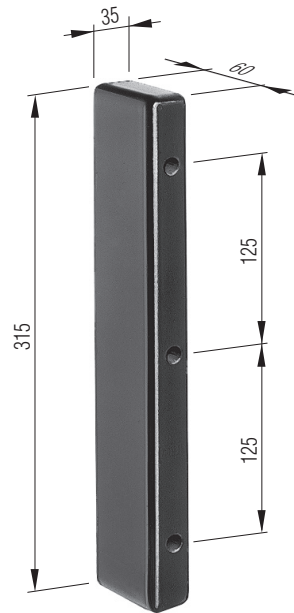
- Height:** 80 mm
- Fixing:**
- Three mounting holes with foam padded limpet washers countersunk, height 32 mm and square hole
 - Saucerhead screw with square neck M 10 (coach bolt)
- Material:** Polyurethane foam
- Colour:** black
- Weight:** approx. 2.05 kg/each
- Article No.** 601 440 000



Large bumpers

GETO® Bumper 315

Height:	60 mm
Fixing:	Three mounting holes with a countersunk depth of 21.5 mm
Material:	Rubber
Colour:	black
Weight:	approx. 0.385 kg/each
Article No.	601 345 000



GETO® Bumper 315

– On a GETO Van, the bumper can also be fitted along with doors.

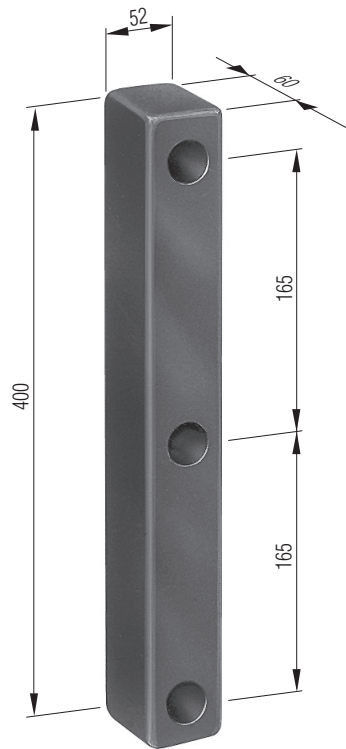
Height:	70 mm
Fixing:	– Three mounting holes countersunk and square hole – Saucerhead screws with square neck (coach screw) M 10
Material:	Rubber
Colour:	black
Weight:	approx. 0.7 kg/each
Article No.	601 343 000



Large bumpers

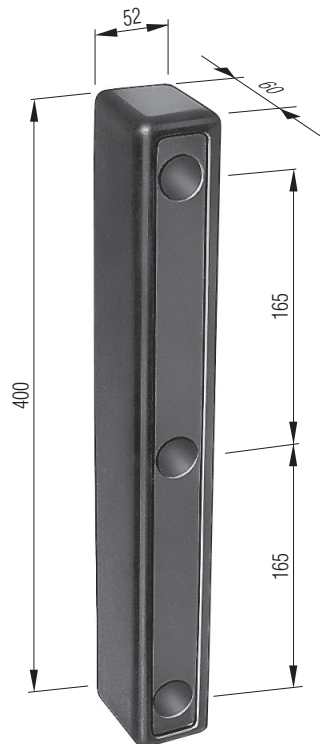
GETO® Bumper 400

Height:	60 mm
Fixing:	<ul style="list-style-type: none"> – Three mounting holes countersunk, depth 20 mm with moulded on steel limpet washers with square hole – Saucerhead screws with square neck (coach screw) M 10
Material:	Rubber
Colour:	black
Weight:	approx. 1.7 kg/each
Article No.	601 350 000



elasti Bumper 400

Height:	60 mm
Fixing:	<ul style="list-style-type: none"> – Three mounting holes countersunk, depth 20 mm with foam padded limpet washers with square hole – Saucerhead screws with square neck (coach screw) M 10
Material:	Polyurethane foam
Colour:	black
Weight:	approx. 0.6 kg/each
Article No.	601 351 000



Large bumpers

GETO® Bumper 400

Height: 80 mm

Fixing:

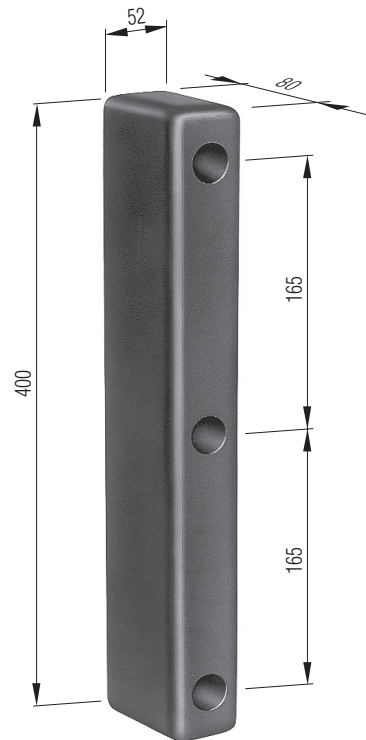
- Three mounting holes with moulded on steel limpet washers, countersunk depth 25 mm
- Saucerhead screws with square neck (coach bolts) M 10

Material: Rubber

Colour: black

Weight: approx. 2.2 kg/each

Article No. 601 352 000



GETO® Bumper 400

- Inverted cavities to increase shock-absorption and spring effect

Height: 100 mm

Fixing:

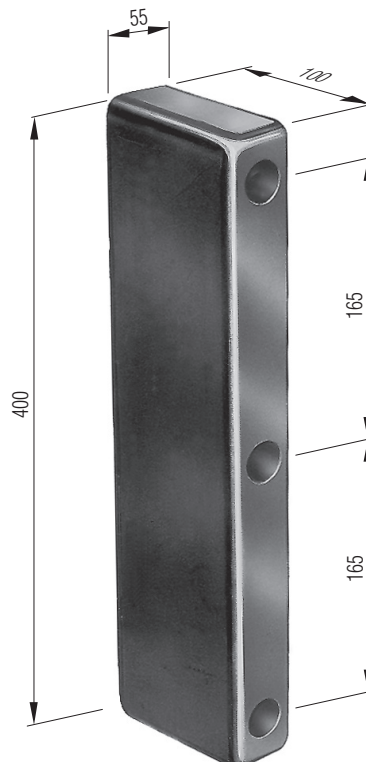
- Three mounting holes, countersunk depth 40 mm, with moulded on steel limpet washers with square hole
- Saucerhead screws with square neck (coach bolts) M 10

Material: Rubber

Colour: black

Weight: approx. 2.3 kg/each

Article No. 601 354 000

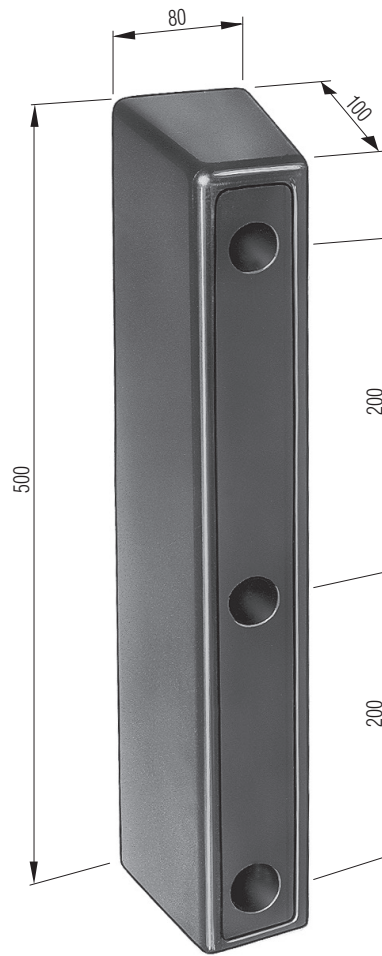


Large bumpers

elasti Jumbo-Bumper 500

- Underneath the limpet washers is a foam padded lining for a constant pressure during mounting, without damaging the part

Height: 100 mm
Fixing: - Three mounting holes, depth 35 mm, with foam padded steel limpet washers with square hole
 - Saucerhead screws with square neck (coach bolts) M 10
Material: Polyurethane foam
Colour: black
Weight: approx. 1.42 kg/each
Article No. 601 377 000 - without steel palte reinforcement

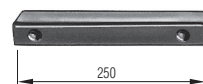


elasti Buffer strips

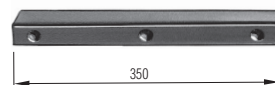
Fixing: Mounting holes, countersunk depth 30 mm, with foam padded steel limpet washers, hole- \varnothing 8.5 mm

Material: Polyurethane foam
Colour: black

Length [mm]	Mounting holes		Weight approx. [kg/each]	Article No.
	Number [piece]	Distance [mm]		
250	2	1 x 190	0.255	601 403 000
350	3	2 x 145	0.420	601 405 000
575	3	2 x 258	0.660	601 407 000
835	4	3 x 258	0.950	601 409 000



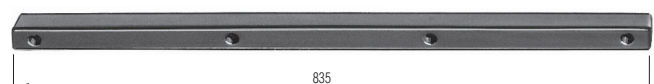
601 403 000



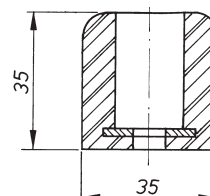
601 405 000



601 407 000



601 409 000



Large bumpers

GETO® Bumper 530

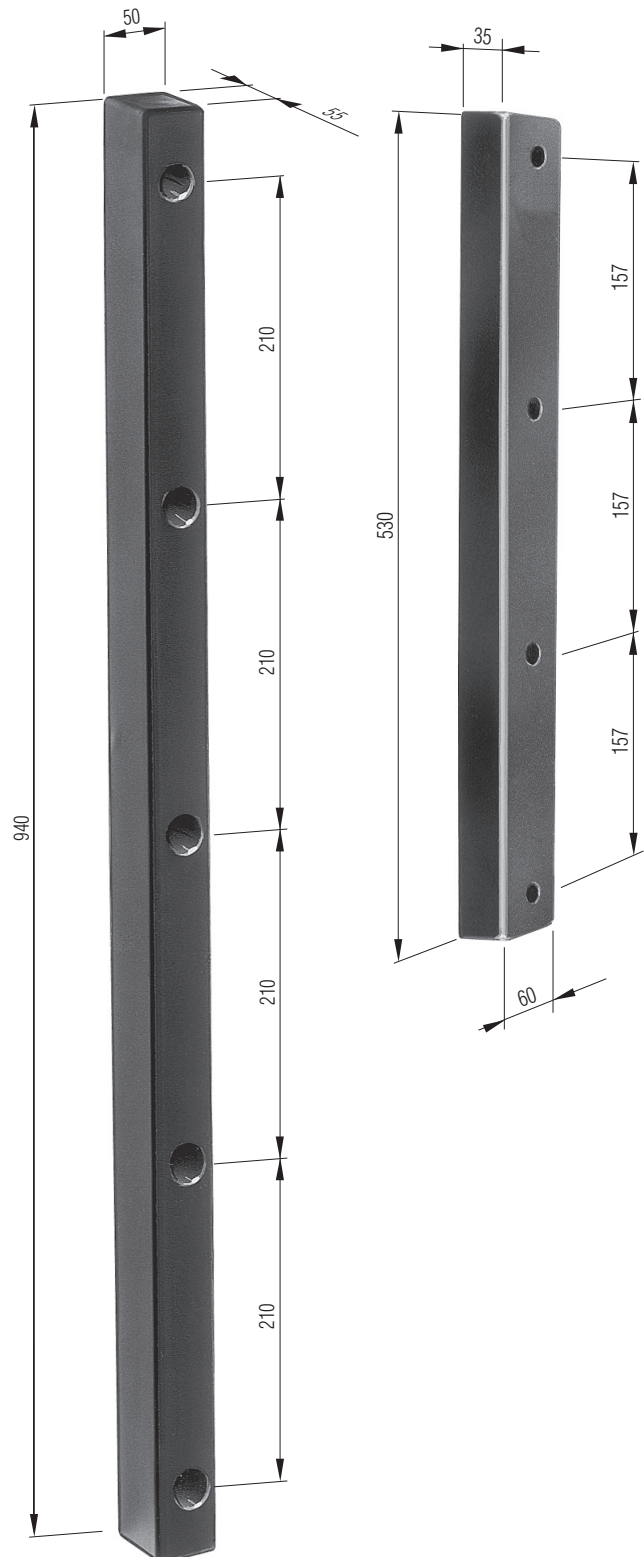
Height: 35 mm
Fixing: Four mounting holes, diameter 8 mm, countersunk depth 20 mm with moulded on steel limpet washers
Material: Rubber
Colour: black
Weight: approx. 1.49 kg/each
Article No. 601 370 000

elasti Bumper 940

Height: 55 mm
Fixing:

- Five mounting holes, countersunk depth 10 mm with foam padded steel limpet washers with square hole
- Saucerhead screws with square neck coach bolts) M 10

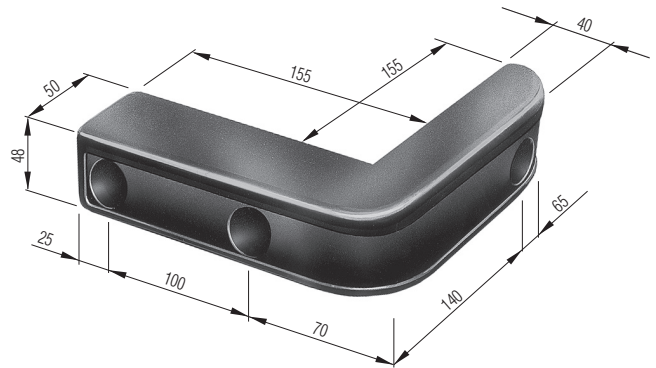
Material: Polyurethane foam
Colour: black
Weight: approx. 2.15 kg/each
Article No. 601 395 000



Large bumpers

elasti Corner-bumper

Fixing:	<ul style="list-style-type: none"> – Three mounting holes, countersunk depth 20 mm, with foam padded steel limpet washers with square hole – Saucerhead screws with square neck (coach bolts) M 10
Material:	Polyurethane foam
Colour:	black
Weight:	approx. 0.43 kg/each
Article No.	601 361 000



elasti Bumper 165 x 95

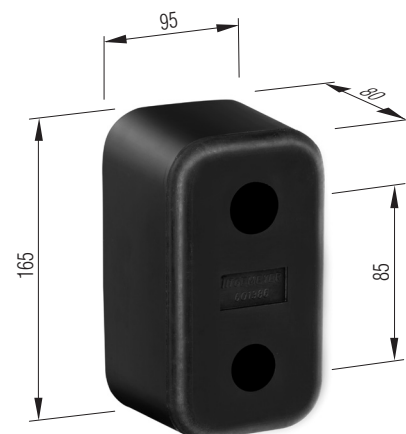
Under the limpet washers are foam padded spacers for constant pressure during mounting, without deforming the part

Height:	80 mm
Fixing:	<ul style="list-style-type: none"> – Two screw holes, countersunk depth 39 mm, with foam padded steel limpet washers with square hole – Saucerhead screws with square neck (coach bolts) M 10
Material:	Polyurethane foam
Colour:	black
Weight:	approx. 0.63 kg/each
Article No.	601 385 000



GETO® Bumper 165 x 95

Height:	80 mm
Fixing:	<ul style="list-style-type: none"> – Two 39 mm sunken screw holes with foamed-in steel U-disks, with square hole – M 10 mushroom head square-neck bolts
Material:	Rubber
Colour:	black
Weight:	approx. 1.74 kg/each
Article No.	601 386 000



Large bumpers

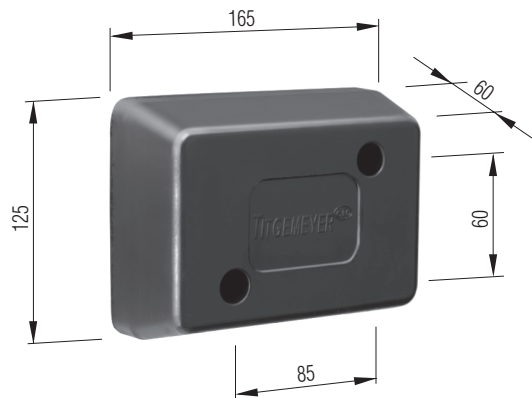
GETO® buffer 165 x 125

Spacer bushings foamed-in beneath the U-disks to ensure constant contact pressure when fixing without deforming the moulded part

Height:	60 mm
Fixing:	– Two 35 mm sunken screw holes with foamed-in steel U-disks with a square hole – M 10 mushroom head square neck bolts
Material:	Rubber
Colour:	black
Weight:	approx. 1.45 kg/each
Article No.	601 388 000

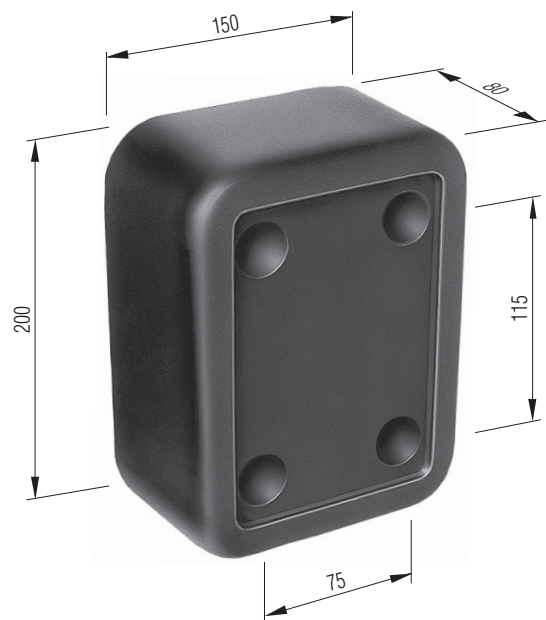
Option

- Neutral impact buffer without logo.
 - Impact buffer with customised logo.
- Minimum purchase quantity: 250 units, once-off tool costs.



elasti Bumper 200 x 150

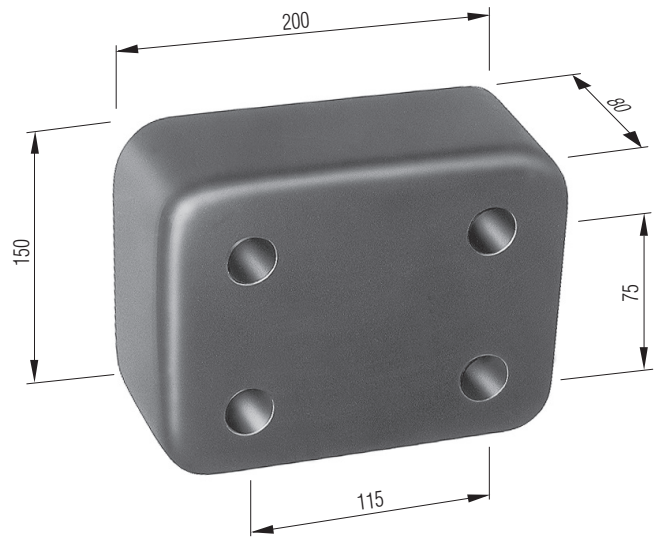
Height:	80 mm
Fixing:	– Four screw holes, countersunk depth 39 mm, with foam padded steel limpet washers with square hole – Saucerhead screws with square neck (coach bolts) M 10
Material:	Polyurethane foam
Colour:	black
Weight:	approx. 1.25 kg/each
Article No.	601 392 000



Large bumpers

GETO® Bumper 200 x 150

Height:	80 mm
Fixing:	– Four screw holes, countersunk depth 39 mm, with steel limpet washers with square hole – Saucerhead screws with square neck (coach bolts) M 10
Material:	Rubber
Colour:	black
Weight:	approx. 2.4 kg/each
Article No.	601 390 000



Large bumpers

Roller buffer

– Reduces the friction caused by the up and down movements that take place during loading operations

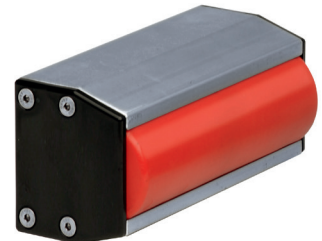
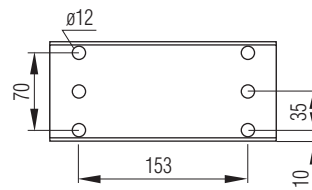
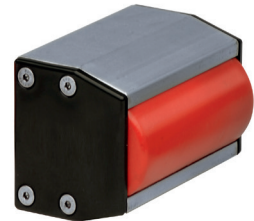
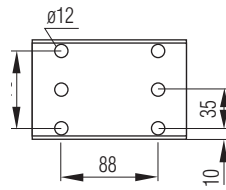
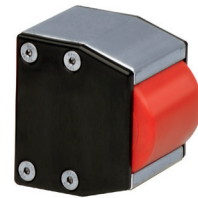
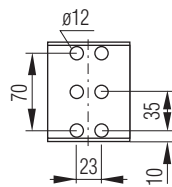
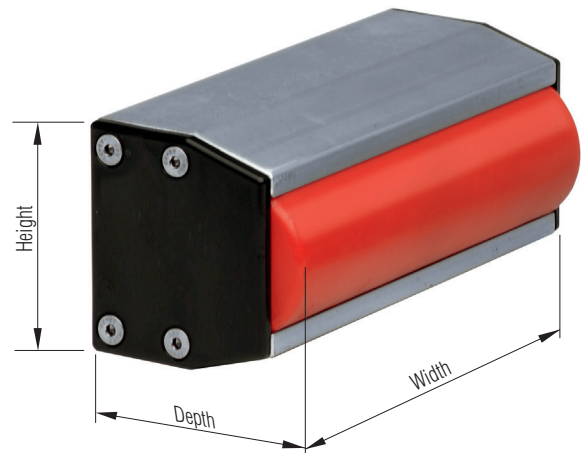
Fixing: Four M 12 x 30 fillister-head Allen screws, supplied

Material: Housing in anodised aluminium
Polyurethane (PU) roller
Side-cover made of plastic

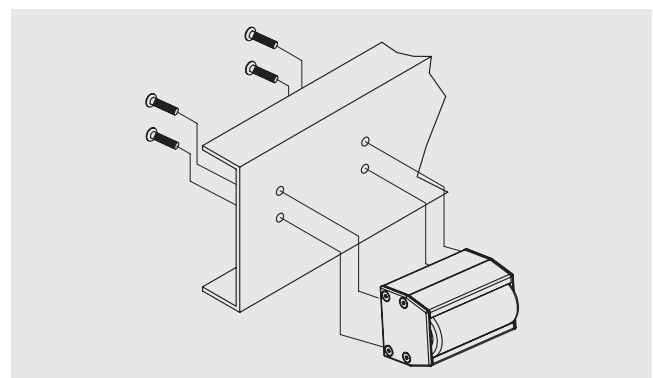
Colour: Silver housing
Red roller
Black side-cover

Dimensions (Width x Height x Depth)	Weight approx. [kg/each]	Article No.
75 x 90 x 93	0.9	601 150 0001
140 x 90 x 93	1.8	601 151 000
205 x 90 x 93	2.7	601 152 000

¹ VPE = 2 each



Roller-buffer assembly



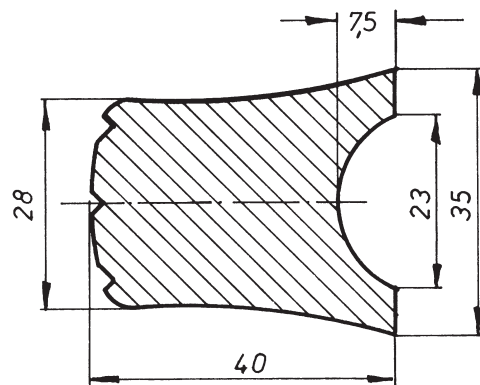
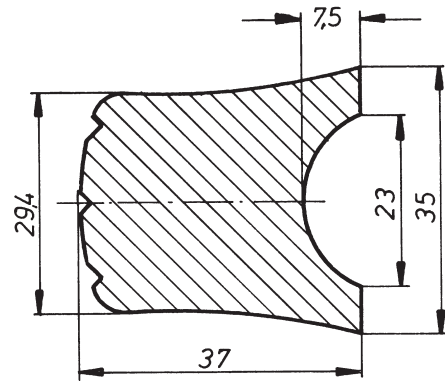
All technical specifications contained in this brochure are approximate and no guarantee is given as to their accuracy. Designs are subject to change.

Buffer strips

GETO® PVC-Buffer strips

Production length: 3000 mm
Material: Hard-PVC
Colour: anthracite grey (dark)
Deflection: up to 30 mm on 3000 mm lengths

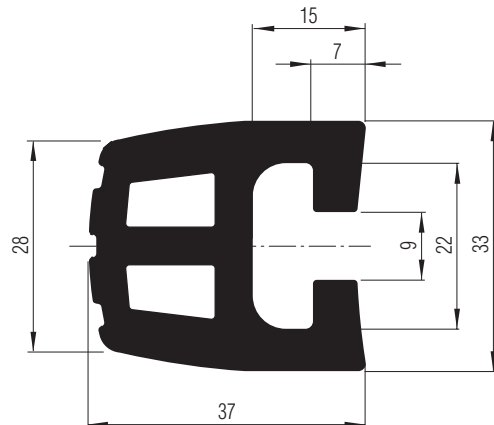
Overall height [mm]	Weight approx. [kg/m]	Article No.
37	1.30	601 505 000
40	1.50	601 506 000



Section drawing scale 1:1

PVC-ram ad stop protection with screw channel

Length: 3000 mm
Overall height: 37 mm
Material: Hard-PVC
Colour: black
Weight: 1.03 kg/m
Accessories: Saucer-head screws M 8 x 20
 Article No. 299 114 000
 Locknut M 8
 Article No. 661 822 000
Article No. 601 510 000

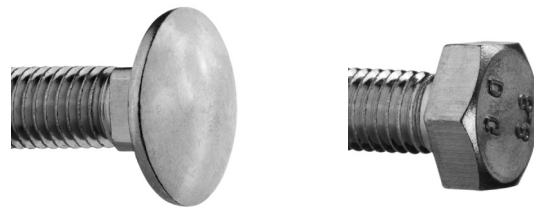
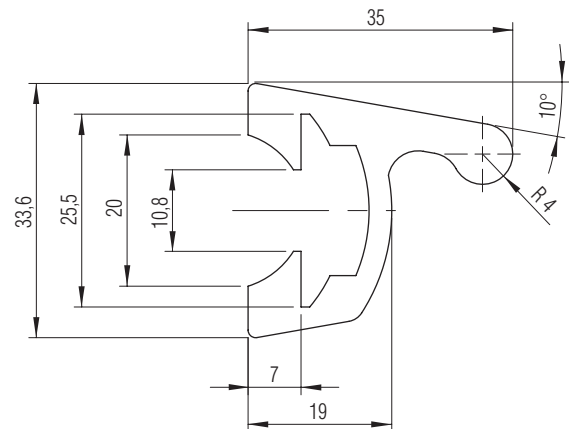
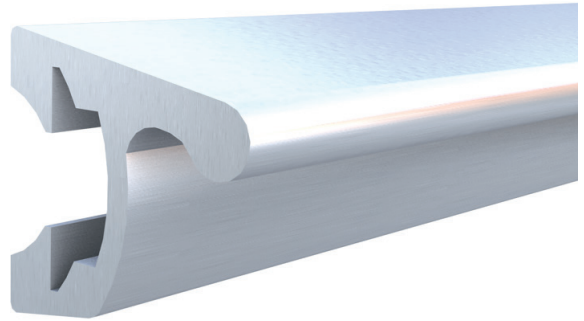


Buffer strips

Aluminium impact and contact guard with screw duct

- Fixed using a mushroom head square neck bolt (M 10 x 30 DIN 603) or hexagon bolt (M 10 x 30 DIN 933).

Length [mm]	Material	Surface	Weight approx. [kg/m]	Article No.
3500	Aluminium	pressblank	1.04	601 517 000
3500	Aluminium	eloxiert (E6/EV1)	1.04	601 518 000



Both screw variants can be used.

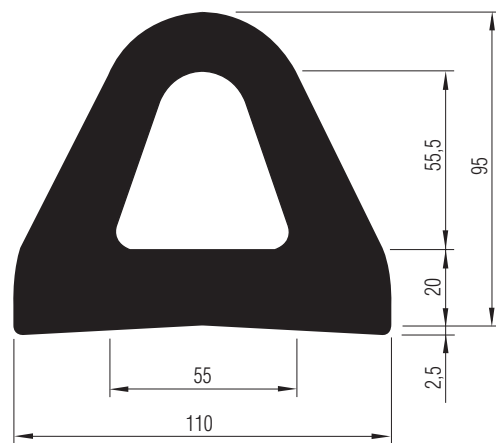
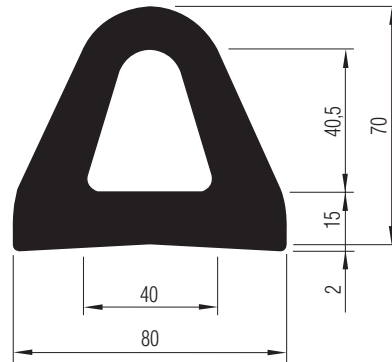
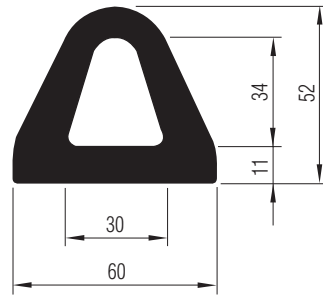
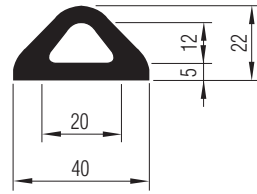
Bumper strips

GETO® DELTA Bumper strips

Material: Rubber
 Colour: black

Overall height [mm]	Production length [mm]	Weight approx. [kg/m]	Article No.
22	10000	0.6	601 480 000
52	2600	2.0	601 485 000
70	2600	3.0	601 490 000
95	2600	7.0	601 495 000

We also supply:
 GETO DELTA Bumper strips in fixed lengths, fixed pieces, with or without holes according to customer specifications. When ordering, please specify quantity.



Bumper strips

M 8 hexagon nut, self-locking

- DIN 985
- Strength class 8

Material: Steel, galvanized
Weight: approx. 0.5 kg/100 piece
Article No. 661 822 000

Mechanical struts

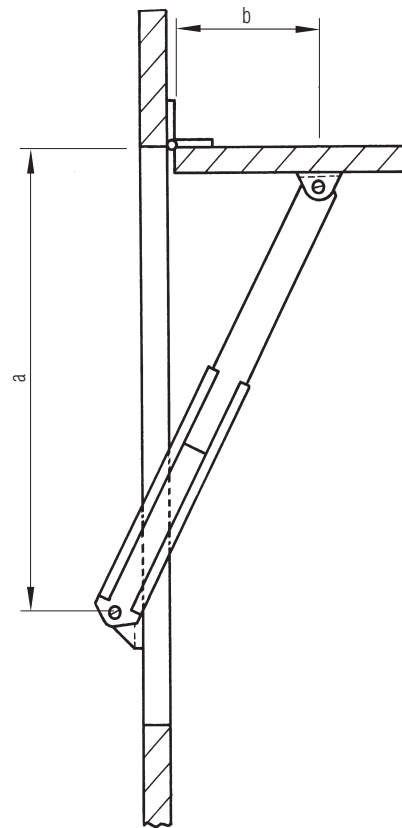
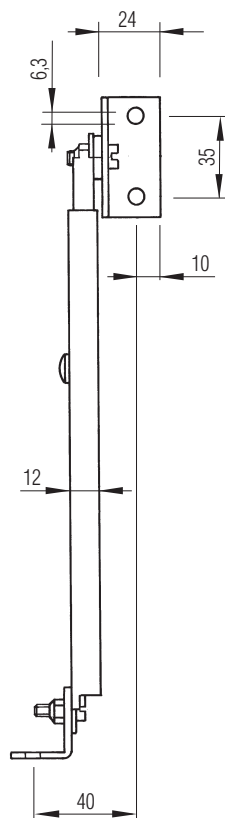
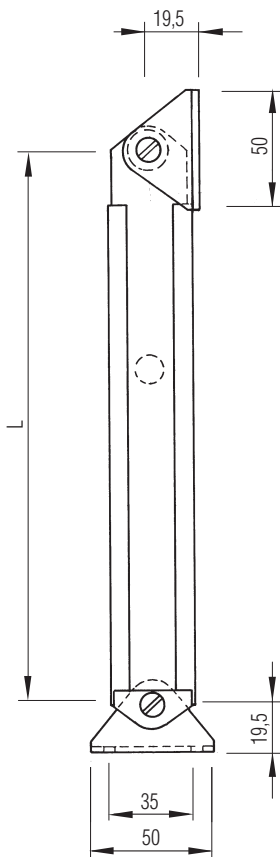
GETO® Flap and cover struts

- With mechanical locking and freeing device
- Automatic catching and locking, e.g. on a flap at the end of the opening process. Short, renewed lifting frees the support and the flap or cover can be closed.
- Can be used on the left or right hand side
- Angle-end sections are demountable, exchangeable and rotatable

Material: Steel
Surface: electro galvanised



Length L		Weight approx.	Artikel-Nr.
reeled in	reeled out		
[mm]	[mm]	[kg/each]	
251	355	0.390	604 205 000
395	710	0.600	604 210 000



By corresponding location of the distances a and b the opening angle of a flap, cover or window etc. may be exactly calculated.

Gas pressured springs

Please observe the following assembly instructions to ensure that your gas pressured springs serve you for a long time without problems.

Principles

The cylinder is under high pressure, therefore:

- Do not tamper with the gas pressured spring- this applies for all gas pressured springs!
- Avoid heat, e.g. do not weld on the gas pressured spring!
- Avoid damage and impurification of the piston rod! This applies to scratches and marks as well as for impurification by grease, paint etc.
- Wherever possible build our safety bracket on to the gas pressured spring!
Wind and snow pressure can change the support or cover weight, and this increased weight may surpass the spring pressure.

Assembly

- Mount the piston rod facing downwards!
In this position the most is made of the damping behaviour of the GETO LIFT gas pressured springs at the end of the pushing process. In addition, the rod will be kept constantly oiled and sealing material in the cylinder kept pliable.
- Avoid tilting the gas pressured spring!
This leads to wear of the links, bearings and fixing attachments and overbudens the sealing material in the cylinder of the gas pressured spring. To avoid tilting of the gas pressured spring itself, it is of benefit to have a certain clearance in the securing and bearing attachments.

Maintenance

- Oil the eyes in the securing and bearing attachments from time to time.
Do not use grease!

Closing over the dead centre, regulation of the pushing speed, hydraulic dampening in pushed out position.

- By appropriate choice of the link point, e.g. a support in the closed position can be shut with the GETO LIFT gas pressured spring (closed position over the dead centre), can open straight away after freeing or can first swing upwards automatically according to a known angle.
- The opening speed can be adjusted to requirements by choice of the link point.
- In every case, just before the end of the pushing process of GETO LIFT gas pressured springs, a hydraulic dampening takes place before the final strike of the piston in the cylinder takes place.

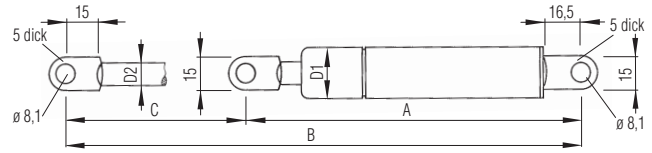


Gas pressured springs

Gas pressured spring Model ST-1

– eyes welded on

Surface: piston rod, nislide treated
 Colour: sprayed black cylinder,
 sprayed black piston rod

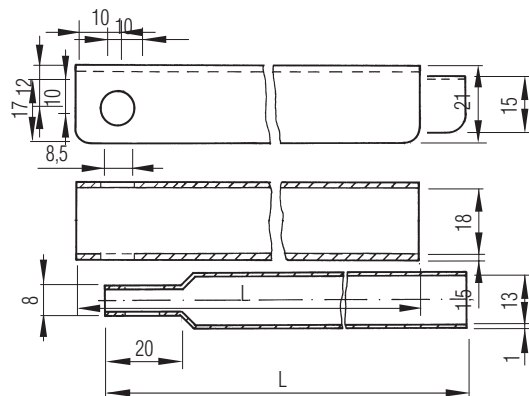


Stroke C [mm]	Spring pressure [N]	Length		Cylinder D1 [mm]	Piston rod D2 [mm]	Weight approx. [kg/each]	Appropriate safety bracket Article No.	Article No.
		A [mm]	B [mm]					
100	250	185	285	22	10	0.265	605 174 000	605 003 000
	500	185	285	22	10	0.268	605 174 000	605 005 000
	750	185	285	22	10	0.268	605 174 000	605 001 075
150	150	235	385	22	10	0.330	605 178 000	605 021 015
	250	235	385	22	10	0.330	605 178 000	605 023 000
	500	235	385	22	10	0.330	605 178 000	605 025 000
	750	235	385	22	10	0.330	605 178 000	605 027 000
	1000	235	385	22	10	0.330	604 178 000	605 029 000
	1150	235	385	22	10	0.330	605 178 000	605 030 000
200	150	285	485	22	10	0.400	605 182 000	605 041 015
	250	285	485	22	10	0.400	605 182 000	605 043 000
	500	285	485	22	10	0.400	605 182 000	605 045 000
	750	285	485	22	10	0.400	605 182 000	605 047 000
	1000	285	485	22	10	0.400	605 182 000	605 049 000
	1150	285	485	22	10	0.400	605 182 000	605 050 000
250	250	335	585	22	10	0.470	605 186 000	605 063 000
	500	335	585	22	10	0.470	605 186 000	605 065 000
	750	335	585	22	10	0.470	605 186 000	605 067 000
	1000	335	585	22	10	0.470	605 186 000	605 069 000
	1150	335	585	22	10	0.470	605 186 000	605 070 000
300	500	385	685	22	10	0.550	605 190 000	605 085 000
	750	385	685	22	10	0.550	605 190 000	605 087 000
	1000	385	685	22	10	0.550	605 190 000	605 089 000
	1150	385	685	22	10	0.550	605 190 000	605 090 000
400	500	490	890	22	10	0.650	605 194 000	605 095 000
	750	490	890	22	10	0.650	605 194 000	605 097 000
	950	490	890	22	10	0.650	605 194 000	605 099 000

Safety bracket ST-1 for GETO LIFT-gas pressured springs

Material: steel
 Surface: galvanized

Stroke length of spring [mm]	L [mm]	Weight approx. [kg/each]	Article No.
100	130	0.050	605 174 000
150	177	0.070	605 178 000
200	230	0.090	605 182 000
250	276	0.105	605 186 000
300	328	0.125	605 190 000
400	433	0.136	605 194 000

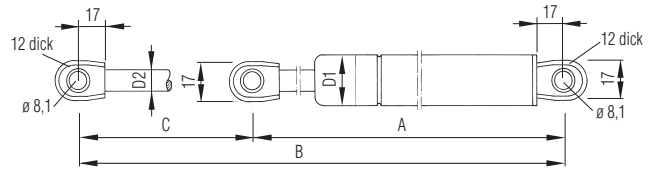


Gas pressured springs

Gas pressured spring Model ST-2

Eyes screwed firmly onto cylinder and the piston rod

Surface: Piston rod, nislide treated
 Colour: sprayed black cylinder,
 sprayed black piston rod

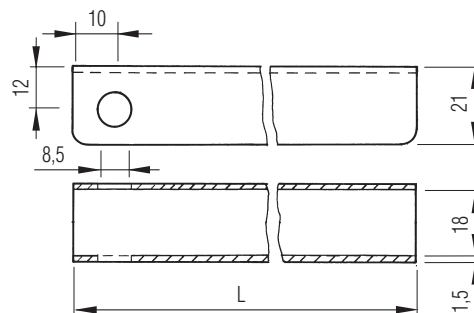


Stroke C [mm]	Spring pressure [N]	Length		Cylinder D1 [mm]	Piston rod D2 [mm]	Weight approx. [kg/each]	Appropriate safety bracket Article No.	Article No.
		A [mm]	B [mm]					
100	250	201	300.5	22	10	0.290	-	603 990 000
	500	201	300.5	22	10	0.290	-	603 992 000
150	250	295	444.5	22	10	0.392	-	604 000 000
	500	295	444.5	22	10	0.392	-	604 002 000
	750	295	444.5	22	10	0.392	-	604 004 000
200	1000	295	444.5	22	10	0.392	-	604 006 000
	250	305	504.5	22	10	0.432	604 065 000	604 010 000
	500	305	504.5	22	10	0.432	604 065 000	604 012 000
	750	305	504.5	22	10	0.432	604 065 000	604 014 000
250	1000	305	504.5	22	10	0.432	604 065 000	604 016 000
	250	402	651.5	22	10	0.540	604 067 000	604 020 000
	500	402	651.5	22	10	0.540	604 067 000	604 022 000
	750	402	651.5	22	10	0.540	604 067 000	604 024 000
300	1000	402	651.5	22	10	0.540	604 067 000	604 026 000
	500	451	750.5	22	10	0.611	604 069 000	604 032 000
	750	451	750.5	22	10	0.611	604 069 000	604 034 000
	1000	450	749.5	28	14	1.092	604 069 000	604 036 000
	1250	450	749.5	28	14	1.092	604 069 000	604 038 000
400	1500	450	749.5	28	14	1.092	604 069 000	604 039 000
	1750	450	749.5	28	14	1.092	604 069 000	604 037 175
	2000	450	749.5	28	14	1.092	604 069 000	604 037 200
	500	496.5	896.5	28	14	1.092	604 069 000	604 101 000
	750	496.5	896.5	28	14	1.092	604 069 000	604 102 000
	1000	496.5	896.5	28	14	1.092	604 069 000	604 103 000
400	1250	496.5	896.5	28	14	1.092	604 069 000	604 104 000
	1500	496.5	896.5	28	14	1.092	604 069 000	604 105 000
	2000	496.5	896.5	28	14	1.092	604 069 000	604 106 000
400	2300	496.5	896.5	28	14	1.092	604 069 000	604 101 230

Safety bracket ST-2 for GETO LIFT gas pressured springs

Material: Steel
 Surface: galvanized

Stroke length of spring [mm]	L [mm]	Weight approx. [kg/each]	Article No.
200	223	0.16	604 065 000
250	273	0.19	604 067 000
300	323	0.23	604 069 000

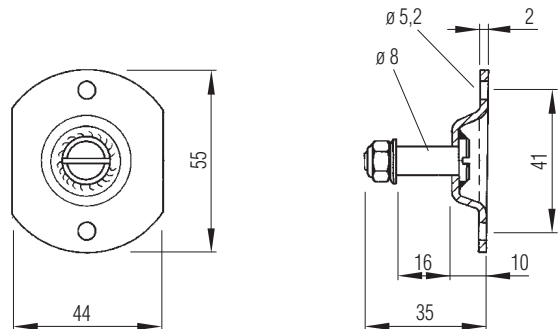


Spare part: Gudgeon for ST-2 model series -
 Article No. 604 080 000

Gas pressured springs

Base plate with axle ST-1 / ST-2

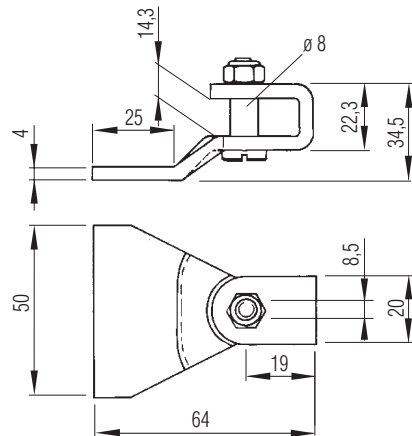
- To secure and link the GETO LIFT gas pressured spring (eye of the piston rod) on frames
- On the ST-2 model = clear axle opening (16 mm), not sufficient to take the safety bracket but will take the piston rod eye without safety bracket
- Sole plate welded to axle
- With axle (screw M 6 x 18, DIN 923) and conternut



Material: Steel
Surface: galvanized
Weight: approx. 0.045 kg/each
Article No. 605 150 000

Bracket with axle ST-1 / ST-2

- To secure and link the gas pressured spring (eye of the piston rod) on frames
- On ST-2 models there is no possibility of taking the safety bracket, but suitable for end-stop without securing ring
- With axle (screw M 6 x 20, DIN 923) and conternut



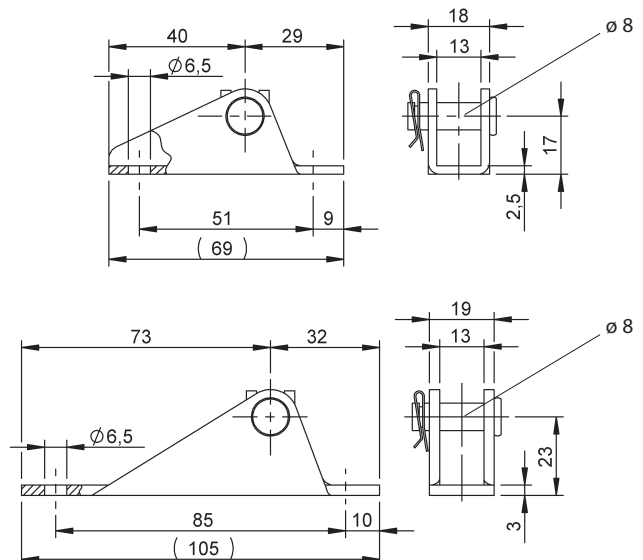
Material: Steel
Surface: galvanized
Weight: approx. 0.095 kg/each
Article No. 605 152 000

Base shoe with axle ST-1 / ST-2

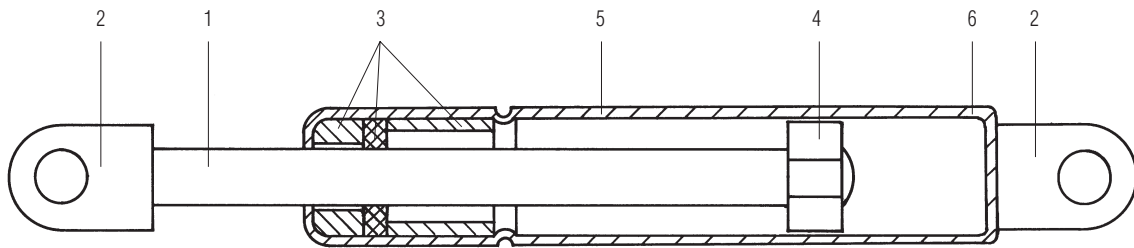
To secure and link the GETO LIFT gas pressured spring (eye of the cylinder) onto an exposed object, e.g. a flap.

Material: Steel
Surface: galvanized
Weight: 605 160 000 - approx. 0.065 kg/each
 605 162 000 - approx. 0.095 kg/each
Article No. 605 160 000 - small
 605 162 000 - large

Spare part: Bracket pin - Article No. 605 166 000
 Clip for bracket pin - Article No. 605 167 000



Gas pressured springs



It is composed of a cylinder (5), which is made gas-tight by a cap (6) on one end and on the opposite end by a seal. A piston rod (1) is inserted into the seal, on whose end the damping piston (4) is attached. At the same time it prevents the piston being pushed out. The ends of the piston rod and the cylinder are fitted with suitable fixings¹. The seal (3) in the cylinder (5) protects the cylinder against the atmosphere when it is filled with gas. The desired pushing force will be generated by filling the cylinder with a defined gas pressure. By pushing the piston rod (1) into the cylinder the volume of the gas pressure will be increased. This increase in pressure is the measure for the increase in power of the spring when the piston rod is in a "pushed in" position. The result is the force "F".

¹ Ask us for details of other fixing components.

Choosing the right GETO LIFT-gas pressured spring

The following details should be taken into consideration (flap as example):

- G: Flap weight
- L: Distance between centre of gravity and pivot
- S: Safety factor 1.1
- b: Distance from contact point of gas spring on flap to pivot
- b: Can be selected, for example, as follows: stroke of gas spring minus 50 mm
- F: Spring pressure (result)

Calculation:

Weight of flap G x horizontal distance from centre of gravity S to the fulcrum: effective lever arm of the gas pressured spring (shortest distance from gas spring to fulcrum) = nominal theoretical pushing force F x 1.1 safety margin s (10 % in addition to nominal pushing force F) = number and spring pressure N of the correct GETO LIFT gas pressured spring. See diagram opposite for formula with example.

Attention:

Our assembly instructions and recommendations for proper assembly and effective function are with regard to the locking action over the dead centre and damping when pushing the piston rod.

Formula example:

$$\frac{G \times L \times S}{b} = F$$

$G = 350\text{ N}$
 $L = 500\text{ mm}$
 $S = 1,1$
 $b = 200\text{ mm}$

$$\frac{350 \times 500 \times 1,1}{200} = 963\text{ N}$$

= 2 Gas pressured springs

Arithmetically à 481,5 N

Foldings steps, foldable steps

Rear aluminium step, spring mounted

The rear step is suitable for box vans and chassis.

The hole pattern on the fastening plate is the same as the hole pattern used to fit a trailer hitch on an MB Sprinter or VW Crafter.

On impact, the spring-mounted rear step slides approximately 100 mm inwards, thus avoiding any damage on impact.

- Two aluminium mounting brackets
- One aluminium foot grate (bumper not included)
- Fixing materials for rear step (fixing bolts for connecting to the vehicle frame not supplied)

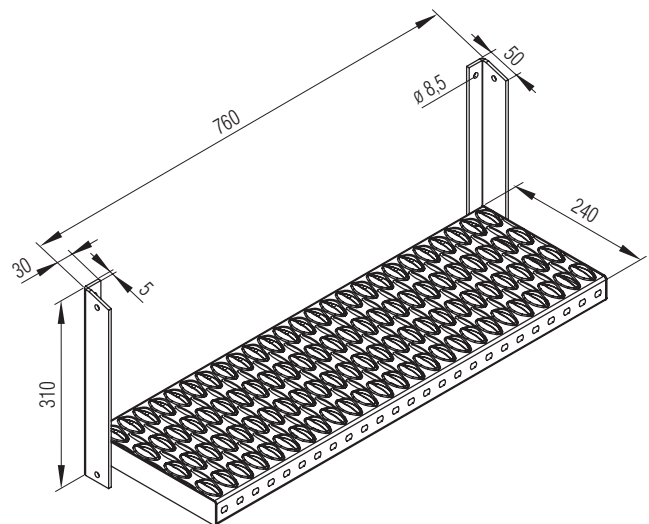


Length:	1100 mm
Width:	240 mm
Height:	40 mm
Material:	Aluminium
Weight:	approx. 11 kg
	Accessories: elasti corner bumper
	Article No. 601 361 000
Article No.	601 809 000

GETO® Folding step, 1-step

- Simple to flap up by pulling up and displacing the folding step. When flapped back in to the vertical position the tread locks automatically and secures itself.
- With mounting holes in the corners for easier installation

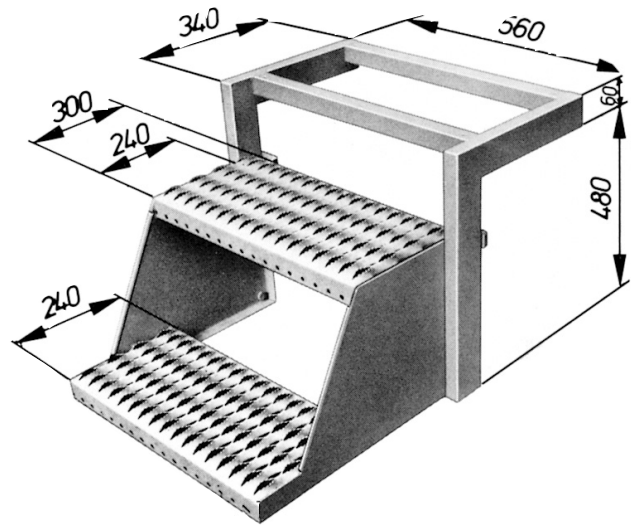
Material:	Steel
Surface:	hot galvanised
Weight:	approx. 7.1 kg/each
Article No.	601 850 005



Foldings steps, foldable steps

Folding step, 2-steps

- Steps have slip-safe treads
- Joined to each other by stable dropsides
- The front edges of the dropsides are flanged to the inside and therefore rendered safe. The complete unit is rotatable and stored in a console. The console out of welded square profiles affords a secure fixing.
- The folding step can be used in vehicles with a floor height of approximately 800 - 900 mm
- Four fixing holes in the bracket (Outer edge to centre of hole: 85 mm)



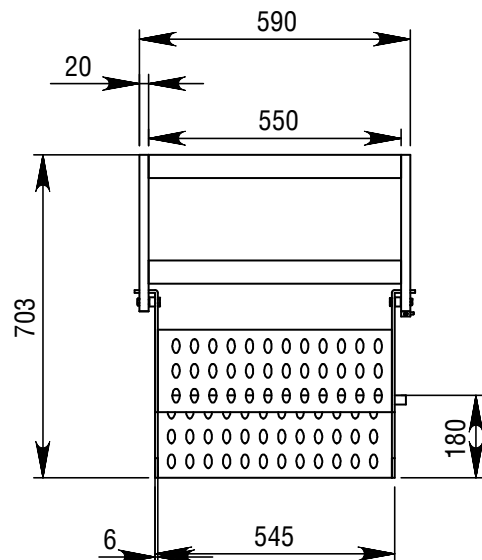
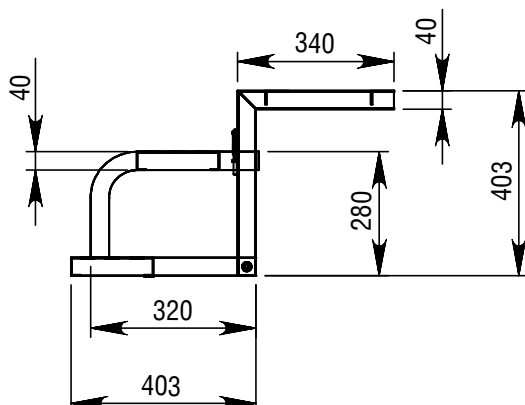
Step width:	approx. 515 mm
Step depth:	approx. 240 mm
Step height:	approx. 280 mm
Material:	Steel
Surface:	electro galvanised
Weight:	approx. 16.0 kg/each
Article No.	601 835 000

Folding step, 2-steps

- Steps have slip-safe treads
- Joined to each other by rounded steel plates
- The complete unit is rotatable. The console out of welded profiles affords a secure fixing.
- Four fixing holes in the console
- When flapped back the folding step can be secured by a spring latch



Step width:	approx. 545 mm
Step depth:	approx. 180 mm
Step height:	approx. 280 mm
Material:	Steel
Surface:	hot galvanised
Weight:	approx. 14.0 kg/each
Article No.	601 835 500



Foldings steps, foldable steps

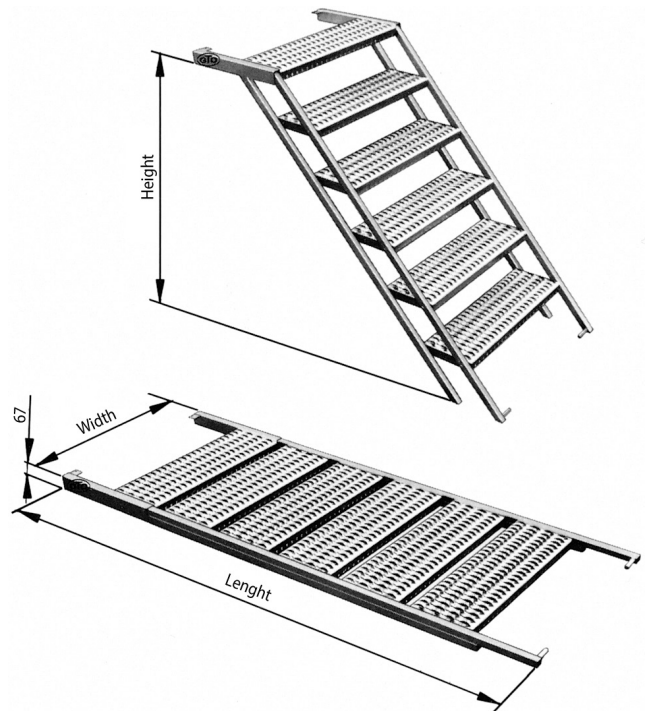
GETO® foldable steps

- Steps out of stable slip-free treads, linked together
- The steps fold together to a height of approx. 67 mm and can then be pushed under the vehicle floor
- The essential safety precautions against the ladder slipping out of the case as well as the choice and installation of the case (U-beam) vary according to requirements

Step depth: 240 mm
 Material: Steel
 Surface: electro galvanised

Height	Total width ¹	Length	Steps	Weight approx.	Article No.
[mm]	[mm]	[mm]	[piece]	[kg/each]	
800 - 950	560	1900	5	27.0	601 837 001
	705	1900	5	30.5	601 838 001
	810	1900	5	33.5	601 846 004
950 - 1100	560	2185	6	32.0	601 840 001
	810	2185	6	41.0	601 847 003
1100 - 1250	810	2470	7	48.0	601 848 001

¹ ± 5 mm

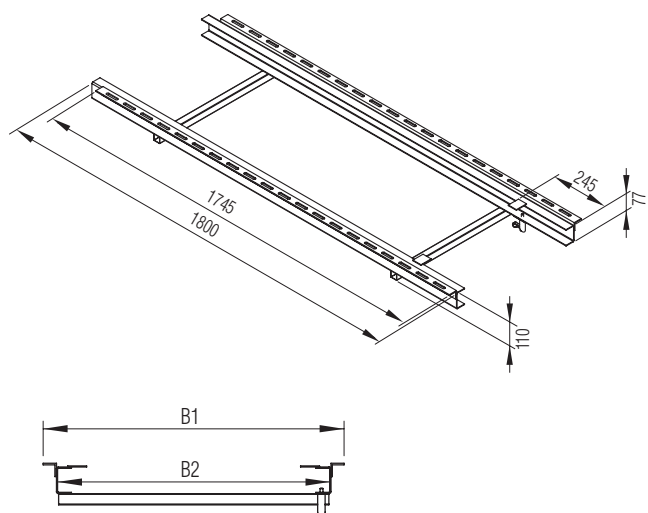


Insertable frame for TITGEMEYER folding steps

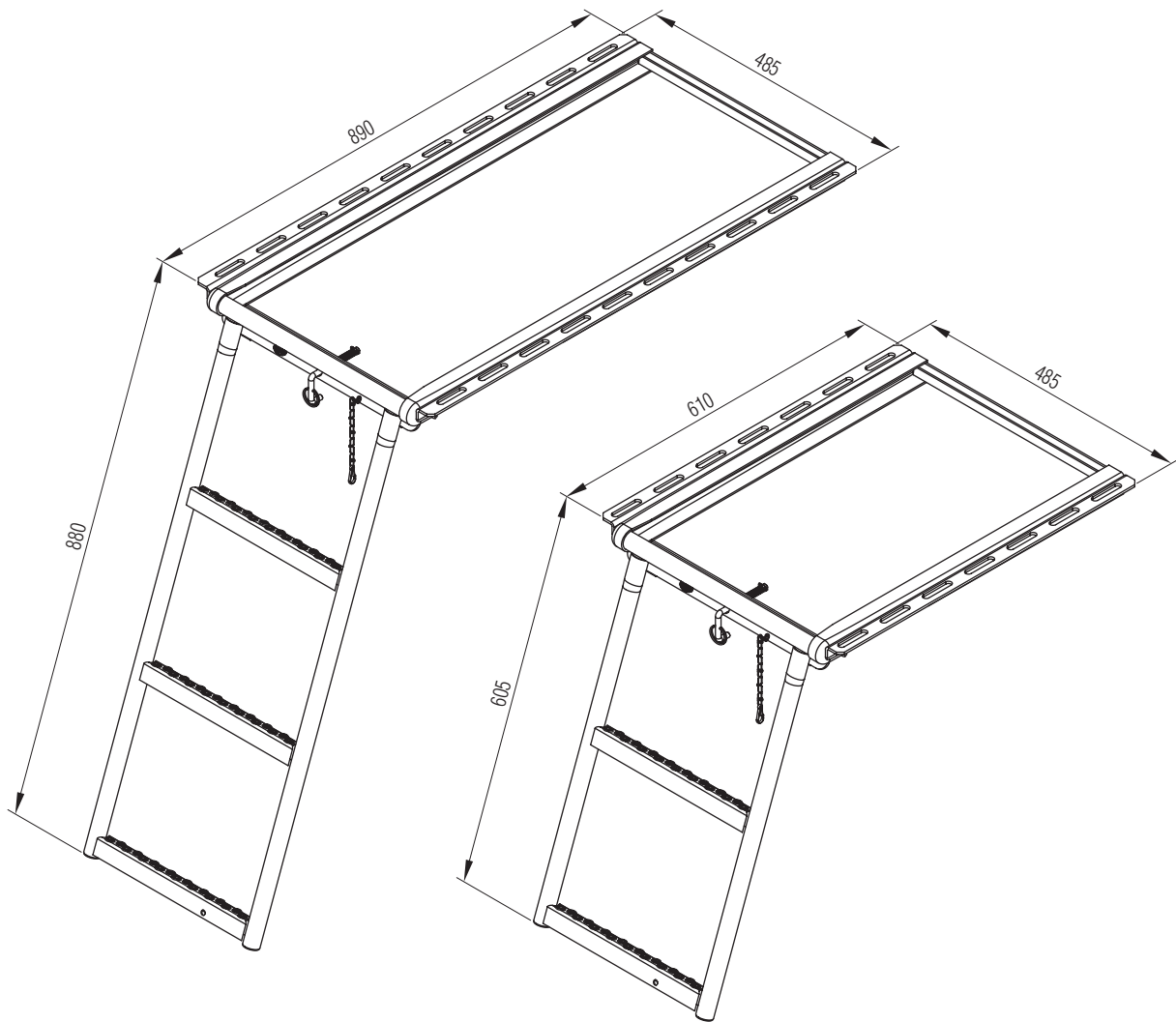
- With side screw-on brackets for easier installation
- 1 x rubber tension support (supplied loose) to secure the step when inserted into the frame

Material: Steel
 Finish: electro galvanised

Suitable for steps	B 1 Width across screw-on bracket	B 2 Inner frame width	Weight approx.	Article No.
	[mm]	[mm]	[kg/each]	
601 837 001	651	575	20.2	601 890 000
601 840 001				
601 846 004	901	825	20.8	601 892 000
601 847 003				
601 848 001				
601 838 001	796	720	20.1	601 891 000



Ladder steps, extractable ladders



Pull out ladder

- In accordance with the accident-prevention regulations of the German Association of Vehicle Fixing Equipment
- Surrounding frame
- With lateral screw-on angle piece for ease of assembly
- Secured in inserted position by means of spring bar and safety chain

Material: Steel
Surface: electro galvanised

Steps Number [piece]	Width [mm]	Height [mm]	Weight approx. [kg/each]	Article No.
2	300	280	7.74	601 812 001
3	300	280	10.57	601 814 001

Ladder steps, extractable ladders

Ladder rungs, can be welded

- Non-slip because of the open perforations on top
- With notch, for clear spar interval of 300 mm

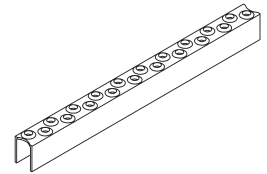
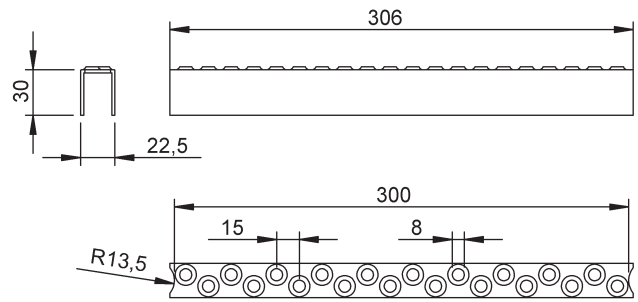
Dimensions: 306 x 30 x 22.5 mm

Perforation: \varnothing 8 mm

Division: 15 mm

Material thickness: 2 mm

Material: Steel



Length [mm]	Surface	Weight approx. [kg/each]	Article No.
306	sendzimir-verzinkt	0.355	601 820 000
	roh	0.355	601 822 000

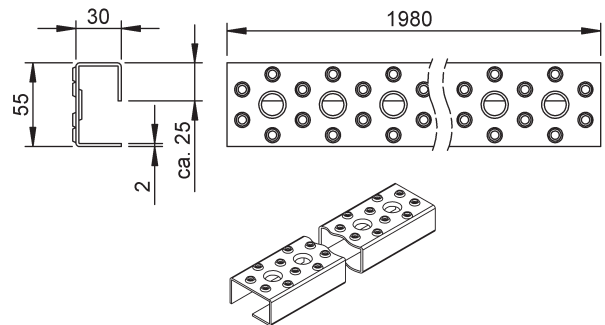
Service bridges

U-profile service bridge

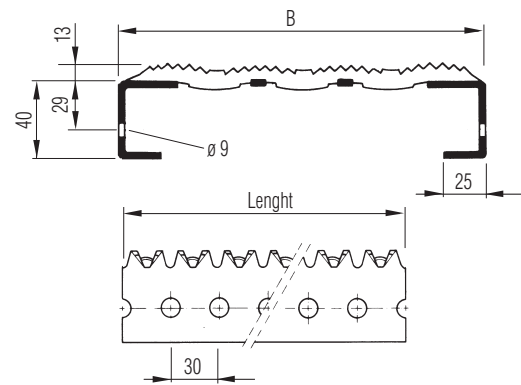
– Anti-slipping due to stamping upwards (UVV)

Thickness: 2 mm
 Material: Steel, galvanized
 Weight: approx. 1.8 kg/m
 Article No. 601 834 000

Material: Steel, raw
 Article No. 601 834 001 (No stock item)



GETO® service bridge



Width [mm]	Length [mm]	Thickness [mm]	Material	Surface	Weight approx. [kg/each]	Article No.
120	3000	2.0	Sheet steel	hot galvanised	8.0	601 868 000
240	3000	2.0	Sheet steel	hot galvanised	16.0	601 872 000
240	3000	2.0	Sheet steel	raw	16.0	601 872 002
360	990	2.0	Sheet steel	hot galvanised	6.3	601 874 000
360	3000	2.0	Sheet steel	hot galvanised	19.0	601 876 000
400	3000	2.5	ENAW 5754	matt finished	9.0	601 878 000 ¹

¹ not drilled at side

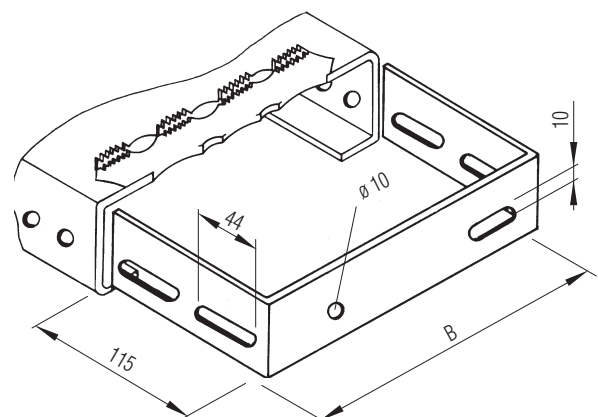
Construction in stainless steel, special dimensions etc. on request.

Mounting bracket

For simple and quick installation of stair treads

Material: Stainless steel

B [mm]	Weight approx. [kg/each]	Article No.
235	0.30	601 852 000



Foot steps

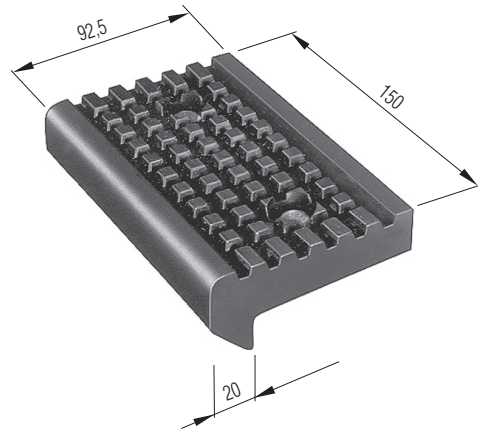
elasti mouldings made from Integral foam on a polyurethane basis

- Presents a clean, smooth, non-porous and attractive surface. The exterior layer of the components is very tough and therefore resistant to tearing.
- The open-cell core guarantees a high compressability

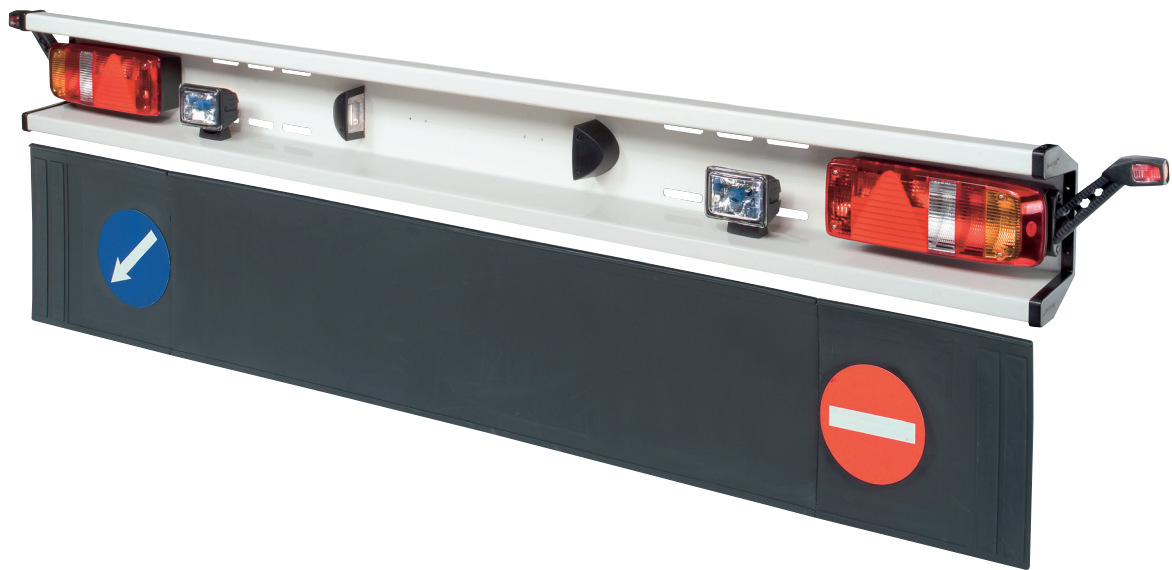
elasti step, standard

- Step safety due to quadratic knobs
- For fastening, deep recessed mounting holes with foamed, galvanized steel and disks

Material:	Integral foam on a polyurethane basis
Colour:	black
Dimensions:	mounting hole \varnothing 8.5 mm hole distance 90 mm
Weight:	approx. 0.21 kg/each
Article No.	601 805 000

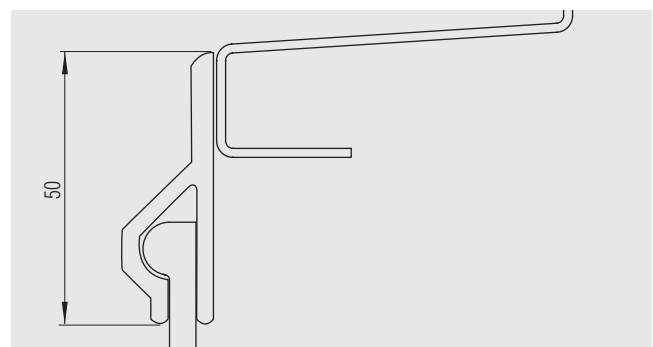
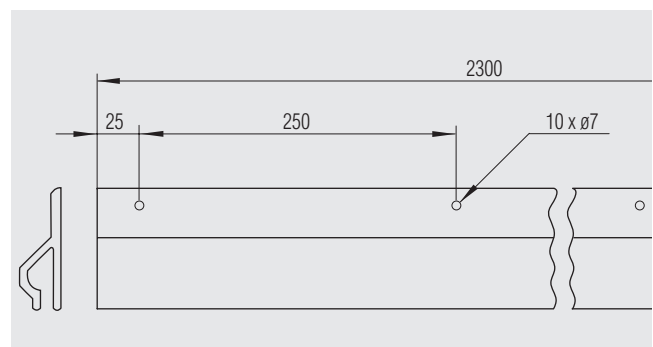


Rear apron



Rear apron for underrun production devices

- The rear apron can also be supplied with traffic signs
- Your logo can be incorporated on request
- B/W, colour or multi-colour printing is possible; raised print is used. Maximum logo height: 260 mm Maximum logo width: 1450/2100 mm
- The fitting track with inserted rear apron is screwed or riveted to the lower strut of the underrun protection device



Description	Length x Height [mm]	Material	Surface	Weight approx. [kg/each]	Article No.
Rear skirt neutral	2300 x 380	Plastic	black	3.5	602 060 000
Rear skirt with traffic sign	2300 x 380	Plastic	black	3.5	602 070 000
Mounting rail	2300 x 50	Plastic	black	0.5	602 075 230

Universal-mud flaps

UNIVERSAL-mud flaps

- Variable border thickness, reinforcing ridges above
- Engraved grooves for disengagement and cut to measure
- Grey labelled middle area = maximum area for printing with your firm name or firm symbol in screen printing methods

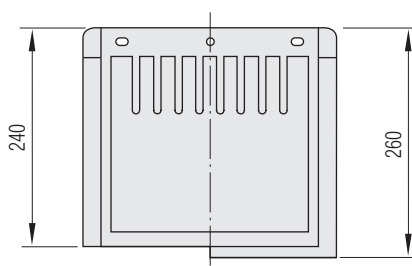
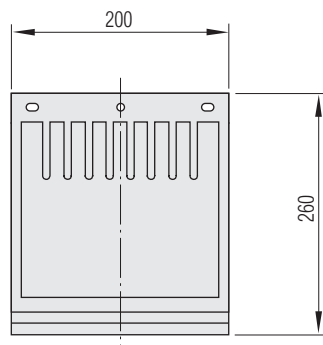
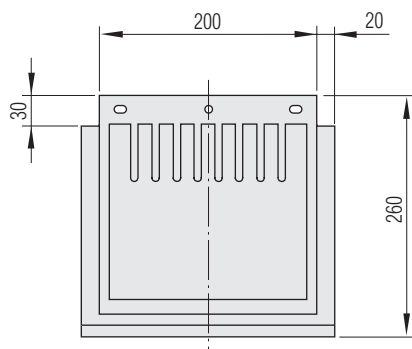
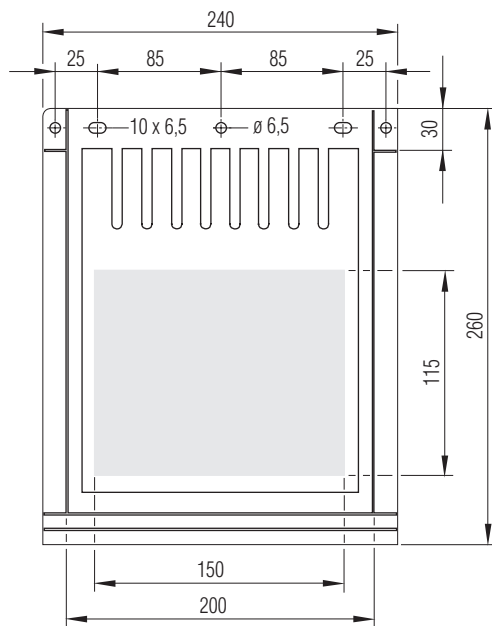
Material: Rubber
Colour: black
Weight: approx. 0.535 kg/each
Article No. 602 120 000 - neutral
 602 121 000 - screen printed with your firm name or firm symbol

Various sizes available by cutting to suit.

Picture 1 Disengagement of the top corners = reduction of the screw width, 1 sided = unsymmetrical on 220 mm, both sided on 200 mm screw width.

Picture 2 Cut to measure on overall width. 1 sided on 220 mm, both sided on 200 mm.

Picture 3 Cut to measure on overall height in the underneath crosswise grooves. Crosswise grooves underneath = Height reduction from 260 mm to 250 mm, cut to measure in the crosswise groove = Height reduction from 260 mm to 240 mm.



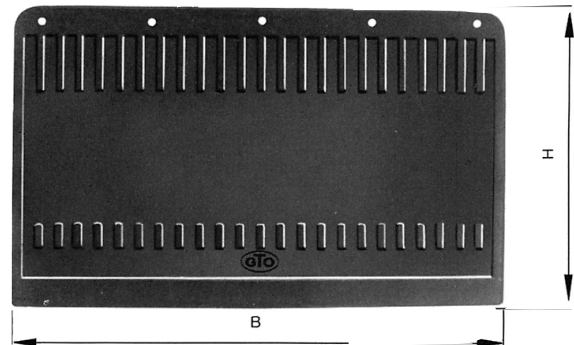
All technical specifications contained in this brochure are approximate and no guarantee is given as to their accuracy. Designs are subject to change.

Universal-mud flaps

GETO® mud flaps, neutral version

- With reinforced edges, vertical ribbing at top and bottom with smooth surface in between for your requested coloured prints using the silk-screen method regarding company logo and/or signs
- Rigid and tear resistant

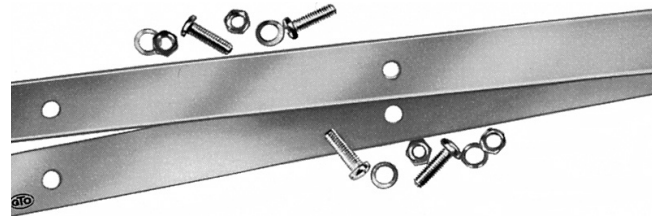
Shore hardness: 85 +/- 5
 Temperature resistant: -30 to +60 °C
 Material: Rubber, pressed
 Colour: black



Fastening rails for GETO® mud flaps

- To match all widths listed in the following table
- With screws, nuts, circlips

Material: Steel strip
 Surface: hot galvanised
 Fastening part surface: electro galvanised, chromatised



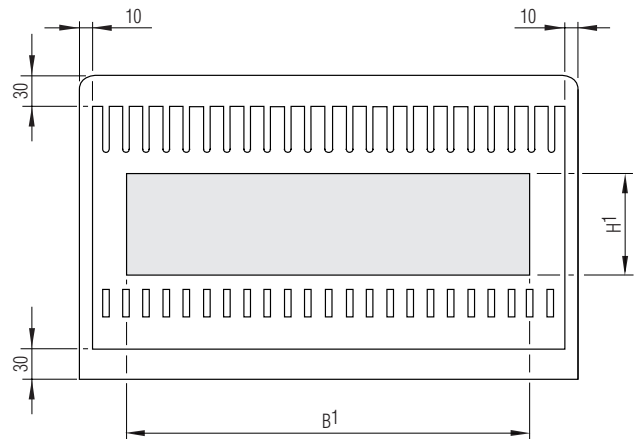
Mud flaps					Fastening strips ¹			
External dimensions		max. type face size		Weight approx. [kg/each]	Article No.	Weight approx.		Article No.
Width B [mm]	Height H [mm]	Width B1 [mm]	Height H1 [mm]		neutral	with screen printing		
260	260	180	90	0.350	602 125 000	602 126 000	0.050	602 127 000
300	300	220	100	0.550	602 130 000	602 131 000	0.050	602 132 000
350	300	270	100	0.650	602 135 000	602 136 000	0.050	602 137 000
400	300	320	100	0.750	602 140 000	602 141 000	0.050	602 142 000
	400	320	100	0.850	602 145 000	602 146 000	0.050	602 142 000
450	300	370	100	0.900	602 150 000	602 151 000	0.050	602 152 000
	400	370	100	0.950	602 155 000	602 156 000	0.050	602 152 000
500	300	420	100	0.750	602 160 000	602 161 000	0.060	602 162 000
	400	420	100	1.050	602 165 000	602 166 000	0.060	602 162 000
550	300	470	100	0.900	602 170 000	602 171 000	0.060	602 172 000
	400	470	100	1.450	602 175 000	602 176 000	0.060	602 172 000
600	300	520	100	1.000	602 180 000	602 181 000	0.060	602 182 000
	400	520	100	1.600	602 185 000	602 186 000	0.060	602 182 000
650	300	570	100	1.150	602 190 000	602 191 000	0.060	602 192 000
	400	570	100	1.800	602 195 000	602 196 000	0.060	602 192 000

¹ including screws, nuts and spring washers

Universal-mud flaps

GETO® mud flaps with your company name and/or sign

- Printed using silk screen method
- White or coloured, multiple colours also possible within an emblem or sign
- Where the correct size of emblem or sign is selected for the smallest mud flap size that you can use then larger mud flap models can be printed using the (!) silk screen process. More details available on request.



Universal-mud flaps

Rubber mud flaps suitable for Mercedes Benz „ATEGO“

- For simple mounting on original wheel arch
- Ribbed surface top and bottom
- Flat centre section can be used as screen-printing surface (approx. 410 x 160 mm) for company name or logo
- Reinforcement ribbing on rear
- On both sides 25 mm deep

Material:	Rubber
Colour:	black
Weight:	approx. 1.6 / 2.3 kg/each
Accessory:	Screw fixing kit
Article No.	602 203 000 neutral, 550 x 300 mm
	602 204 000 with monogram, 550 x 300 mm
	602 206 000 with monogram, 550 x 400 mm



Screw fixing kit for mud flaps „ATEGO“

- Each consists of 4 lock screws, nuts and ring washers

Material:	Steel
Surface:	electro galvanised
Weight:	approx. 0.05 kg/set
Article No.	602 207 000



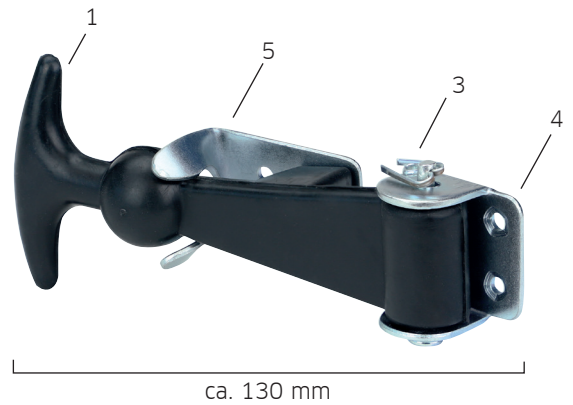
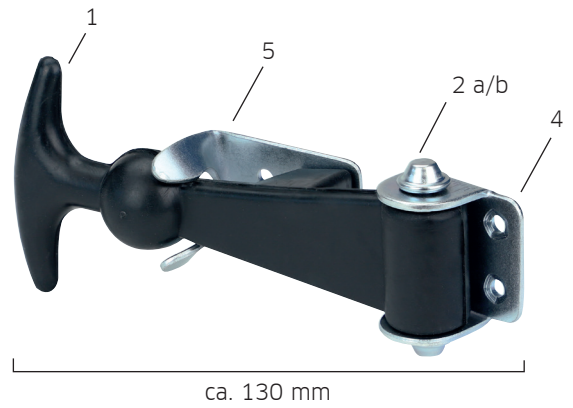
Bonnet holder

Rubber bonnet holder

Color: black
 Weight: complete approx. 0.15 kg/each
 Article No. 601 951 000

consisting of:

Pos.	Description	Material	Quantity
1	GU-bonnet holder without fittings	rubber, black	1
2 a	Cap axle	steel, galvanized	1
2 b	Axle cap, black	steel, galvanized	2
3 (use as an alternative to 2 a / b)	Axle + splint	steel, galvanized	1
4	Attachment fittings	steel, galvanized	1
5	Hook fittings	steel, galvanized	1



Tarpaulin accessories

Tarpaulin cramp fitting a 36 mm or 40 mm round eyelet or a 42 x 22 mm oval eyelet

Height:	30 mm
Hole interval:	51 mm
Hoop thickness:	6 mm
Material:	Steel, galvanized 0.038 kg/each
Article No.	601 644 00



Turn-lock fastener for 42 x 22 mm oval eyelet

Height:	18 mm
Overall height:	46 mm
Hole interval:	51 mm
Hoop thickness:	5 mm
Material:	Steel, galvanized
Weight:	0.045 kg/each
Article No.	601 637 000



Tarpaulin accessories

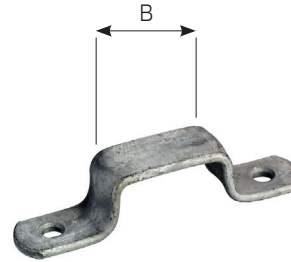
Folding hoop cramp - does not comply with customs regulations

Height: 37 mm
 Hole interval: 28 mm
 Material: Steel, galvanized
 Weight: 0.039 kg/each
 Article No. 601 625 000



Flat cramp for 42 x 22 mm oval eye

Hole interval: 57 mm
 Height: 18 mm
 Distance B: 28 mm
 Material: Steel, electro galvanised
 Weight: 0.027 kg/each
 Article No. 601 635 000



Ring nut without nose, as specified by DIN 582

Thread	Exterior ø [mm]	Interior ø [mm]	Height [mm]	Material	Surface	Weight approx. [kg/each]	Article No.
M 8	36	18	36	steel	galvanized	0.05	601 661 000



Tarpaulin accessories

Plastic tarpaulin cord ø 8 mm

Colour: silver
Weight: 0.069 Kg/m
Article No. 601 675 000



Cord end catch ø 8 mm without Simplex hook

Material: Steel, galvanized
Weight: 0.012 kg/each
Article No. 601 693 000



Simplex hook to fit cord end catch (Article No. 601 693 000)

Material: Steel, galvanized
Weight: 0.015 kg/each
Article No. 601 699 000



Cobra tarpaulin cord (rubber cord) ø 9 mm

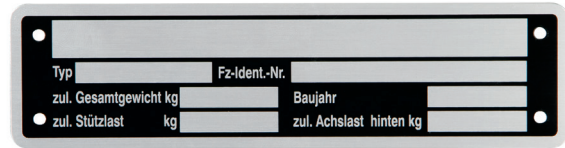
Material: Plastic-coated rubber cord
Weight: 0,057 kg/m
Article No. 601 689 000



Type plates

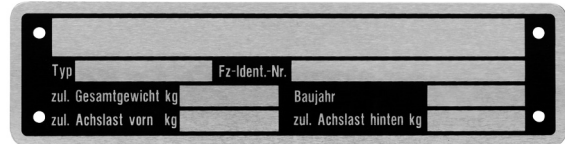
Neutral type plate for single-axle trailer

Material: Aluminium, anodised
 Weight: 0.006 kg/each
 Article No. 602 002 000



Neutral type plate for double-axle trailer

Material: Aluminium, anodised
 Weight: 0.007 kg/each
 Article No. 602 001 000



Titgemeyer GmbH & Co. KG

Hannoversche Straße 97
49084 Osnabrück / DE

P.O. Box 4320
49033 Osnabrück / DE

T +49 541 5822-0
E info@titgemeyer.com
W titgemeyer.com