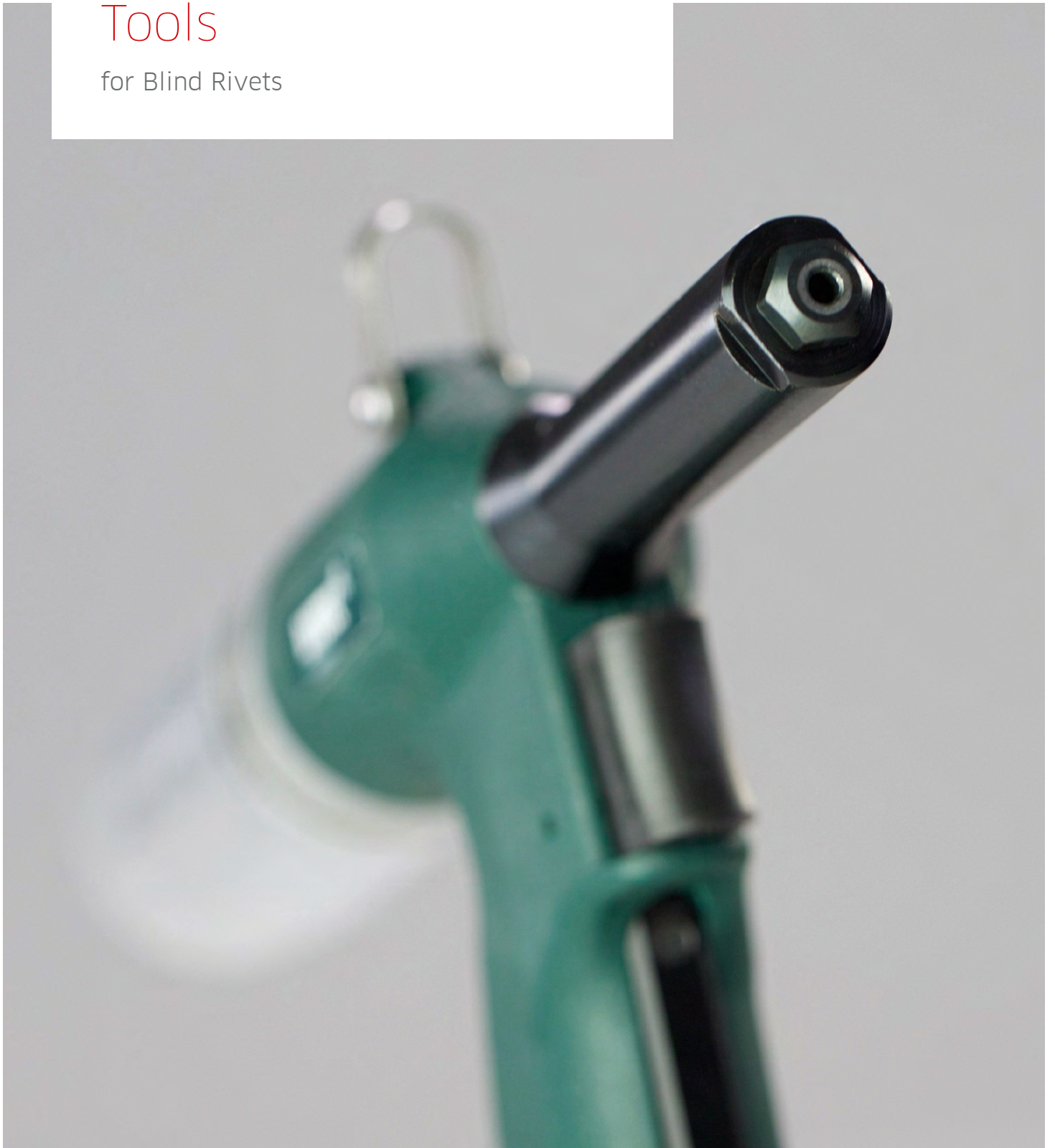


Fastening Technology / Tools

Tools

for Blind Rivets



Contents

		Page		
Tools for blind rivets	Overview	4		
	Manual	TIOS 4	6	
		TIOS HR5	7	
		TIOS HR64 PT	8	
	Electrical	TIOS ER15	9	
		Q-Tool R50	11	
		POP PB2500	12	
		POP PB3400	14	
	Hydropneumatic	RL 12	16	
		RL 15A	17	
		RL 20A	18	
		RL 40I	19	
		RL 60I	20	
		RL 60IHV	22	
		ProSet XT 1	24	
		ProSet XT 2	25	
		ProSet XT 3	26	
		ProSet XT 4	27	
		POP blind rivet feeder	28	
		Accessories	30	
		Overview - classification of interchangeable parts	Interchangeable parts for cup-type blind rivets	31
			Interchangeable parts for standard blind rivets	32

Tools for blind rivets

Overview – standard and cup-type blind rivets, multigrip and folding leg blind rivets

Model	Tool Article No.	Technology	2.4	2.8/3.0/3.2	4.0	4.8/5.0	6.0	6.4
TIOS 4	431 265 000	manual	•	•	• (Al)			
TIOS HR5	431 270 000	manual	•	•	•	•		
TIOS HR64 PT	431 271 000	manual		•	•	•	•	•
TIOS ER15	352 200 006	battery		•	•	•	•	•
Q-Tool R50	329 055 000	battery	•	•	•	•		
POP PB2500	329 500 002	battery		•	•	•		
POP PB3400	329 100 000	battery			•	•	•	•
RL 12	431 180 000	hydropneum.	•	•	•	•		
RL 15A	431 410 200	hydropneum.	•	•	•	•		
RL 20A	431 450 650	hydropneum.	•	•	•	•		
RL 40I	431 299 300	hydropneum.			•	•	•	•
RL 60I	431 500 700	hydropneum.			•	•	•	•
RL 60IHV	431 500 020	hydropneum.				•	•	•
ProSet XT 1	347 100 000	hydropneum.	•	•	•			
ProSet XT 2	347 200 000	hydropneum.		•	•	•		
ProSet XT 3	347 300 000	hydropneum.			•	•	•	•
ProSet XT 4	347 400 000	hydropneum.			•	•	•	•

• All materials (Al / Cu / St / VA) can be installed.

Should restrictions apply, please consult the table for the correct installation material.

Tools for high-strength blind rivets

Overview – TIBULB[®], TIBULB Plus[®]; HUCKLOK[®], Magna-Lok[®] / M-Lock[®], M-Bolt[®], Magna-Bulb[®] and BOM[®] blind rivets

Model	Tool Article No.	Technology	TIBULB			TIBULB Plus	HUCK-LOK			Magna-Lok/ M-Lock			M-Bolt			Magna-Bulb			BOM		
			4.8	6.4	7.8	6.4	6.4	4.8	6.4	9.5	4.8	6.4	4.8	6.4	7.8	4.8	6.4	7.8	9.5	12.7	15.9
TIOS ER15	352 200 006	battery	•	•			•		•	•	•	•	•								
TIOS EL18*	352 300 001	battery	•	•			•		•	•	•	•	•								
PB3400	329 100 000	battery	•	•		•	•		•	•	•	•	•								
RL 40I	431 299 300	hydropneum.	•			•	•		•	•	•	•	•								
RL 60I	431 500 700	hydropneum.	•	• ^{***}		• ^{***}	•		•	•	•	•	•								
RL 60IHV	431 500 020	hydropneum.	•	•		•	•		•	•	•	•	•								
RL 75N*	385 060 300	hydropneum.	•	•	•(Al)	•	•		•	•	•	•	•								
ProSet XT 2	347 200 000	hydropneum.							•	•	•	•	•								
ProSet XT 3	347 300 000	hydropneum.	•	• ^{**} / ^{****}			•		•	•	•	•	•								
ProSet XT 4	347 400 000	hydropneum.	•	• ^{**} / ^{****}		• ^{****}	•		•	•	•	•	•								
HUCK 2025LB*	370 120 000	hydropneum.	•	•					•	•	•	•	•								
HUCK 254*	375 200 000	hydropneum.							•	•	•	•	•								
HUCK 256*	375 490 000	hydropneum.							•	•	•	•	•								
HUCK 2480*	370 445 000	hydraulic	•	•					•	•	•	•	•								
HUCK 2583*	370 830 000	hydraulic							•	•	•	•	•								
HUCK 2581-2*	371 180 000	hydraulic							•	•	•	•	•								
HUCK 2620-PT*	370 550 000	hydraulic																			•
HUCK 2624*	370 551 000	hydraulic																			•
HUCK 3585*	370 322 000	hydraulic																			•

* Information on these types of tools can be found in our catalogue Installation Tools for Lockbolts (10058)

** Especially suitable for grooved mandrels.

*** Requires retrofit kit with nose piece for larger hole diameters.

**** Requires retrofit components.

• All materials (Al / St / VA) can be installed.

Should restrictions apply, please consult the table for the correct installation material.

! When installing high-strength blind rivets, we recommend using the RL 60IHV.

The matching pulling heads / nose pieces can be found on the relevant pages in the tool catalogues.

TIOS® 4

Manual tool for installing 2.4 mm to 4.0 mm blind rivets

Benefits at a glance

- Sturdy aluminium/steel design
- Steel insert for nose pieces
- Handle and interior parts made of high-grade steel
- For installing small quantities of standard blind rivets

Technical specifications

Stroke: 7.0 mm
 Length: 225.0 mm
 Width: 71.4 mm
 Weight: 0.4 kg

Scope of delivery

TIOS 4 manual rivet tool
 Nose pieces: 2.4 mm; 3.0 / 3.2 mm; 4.0 mm
 2 assembly wrenches
 Operating instructions
 Article No. 431 265 000

Working range

Rivet Ø [mm]	2.4*	3.0/3.2	4.0	4.8/5.0	6.0	6.4
Aluminium, copper, brass	•	•	•			
Steel	•	•				
Stainless steel	•	•				

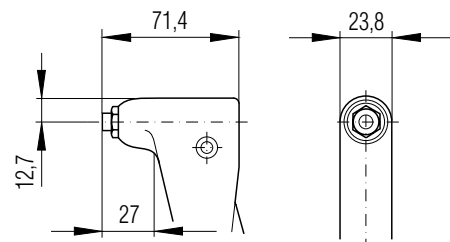
* Not suitable for cup-type blind rivets.

Spare parts / Consumables

Description	Article No.
Nose piece 2.4 mm	328 303 000
Nose piece 3.0 / 3.2 mm	328 301 000
Nose piece 4.0 mm	328 302 000
Jaws, 3-piece set	326 706 000

Optional accessories

Description	Article No.
Rivet-holding nose piece 3.2 mm	329 500 102
Rivet-holding nose piece 4.0 mm	329 500 103



TIOS® HR5

Manual rivet tool for installing 2.4 mm - 5.0 mm blind rivets, with opening spring

Benefits at a glance

- Opening spring for mandrel ejection
- High-quality plier casing and handles
- Ergonomic handles
- Nose pieces and installation wrench stored in handle

Technical specifications

Stroke: 5.5 mm
 Length: 242.0 mm
 Width: 75.0 mm
 Weight: 0.6 kg

Scope of delivery

TIOS HR5 manual rivet installation tool
 Nose pieces: 3.0 / 3.2 mm; 4.0 mm; 4.8 / 5.0 mm
 1 installation wrench
 Operating instructions
Article No. 431 270 000

Working range

Rivet Ø [mm]	2.4*	3.0/3.2	4.0	4.8/5.0	6.0	6.4
Aluminium, copper	•	•	•	•		
Steel	•	•	•	•		
Stainless steel	•	•	•	•		

Spare parts / Consumables

Description	Article No.
Nose piece B 3.2 mm	431 270 101
Nose piece: C 4.0 mm	431 270 102
Nose piece D 4.8	431 270 103
Jaws (set)	431 270 104



TIOS® HR64 PT

Manual tool for installing 3.0 mm - 6.4 mm blind rivets, with ratchet action

Benefits at a glance

- Unique force transmission concept
- Can install high-strength 6.4 mm rivets
- Nose pieces for standard and high-strength rivets stored in handle
- Mandrel container fitted with bayonet lock

Technical specifications

Stroke: 7.0 mm
 Length: 440.0 mm
 Width: 180.0 mm
 Weight: 1.75 kg

Scope of delivery

TIOS HR64 PT manual rivet installation tool
 Nose pieces for 3.0 mm - 6.4 mm blind rivets
 Nose pieces for 4.8 - 6.4 high-strength blind rivets
 1 installation wrench
 Operating instructions
 Article No. 431 271 000



Working range

Rivet Ø [mm]	3.0/3.2	4.0	4.8/5.0	6.0	6.4
Aluminium, copper	•	•	•	•	•
Steel	•	•	•	•	•
Stainless steel	•	•	•	•	•

Spare parts / Consumables

Description	Article No.
Nose piece B 3.0 / 3.2 mm	431 271 101
Nose piece 4.0 mm	431 271 102
Nose piece 4.8 / 5.0 mm	431 271 103
Nose piece 6.0 mm	431 271 104
Nose piece 6.4 mm	431 271 105
Nose piece J 4.8 mm for Monobolt	431 271 106
Nose piece K 4.8 mm for MagnaBulb	431 271 107
Nose piece L 6.4 mm for Monobolt	431 271 108
Nose piece M 6.4 mm for MagnaBulb	431 271 109
Jaws (set)	341 271 111
Jaw slider	341 271 305
Clamping jaw slider	348 740 318

TIOS® ER15

Battery-operated tool for installing 3.0 mm to 6.4 mm blind rivets

Benefits at a glance

- Powerful 18V lithium-ion rechargeable battery
- Brushless DC motor (BLDC)
- High battery performance:
 - >770 rivet installations / battery charge (test performed using ST/ST 4.8 mm blind rivets with 8 kN breakload, battery: 1.65 Ah)
- Super-fast charging (<40 min at 2.5 Ah)
- Intelligent battery management

Technical specifications

Stroke:	25.0 mm
Insertion force:	15.0 kN
Motor:	18.0 volt brushless DC motor
Nose cap ø:	22.5 mm
Nose cap length:	58.0 mm
Weight:	2.2 kg with battery (2.5 Ah)

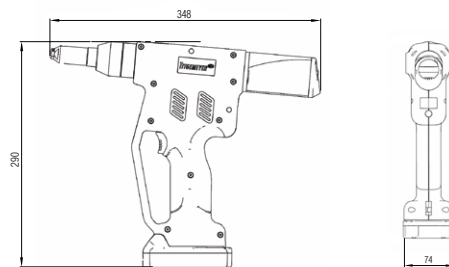
Scope of delivery

TIOS ER15 battery-operated rivet installation tool (complete)
 TIOS LIO2830 single charger 18.0 V
 TIOS LIO1825 18.0 V / 2.5 Ah insertable battery
 Nose pieces: 4.0 mm; 4.8 / 5.0 mm; 6.0 mm; 6.4 / 8.0 mm
 Storage case
 Operating instructions
Article No. 352 200 006

TIOS ER15 battery-operated rivet installation tool
 Nose pieces: 4.0 mm; 4.8 / 5.0 mm; 6.0 mm; 6.4 / 8.0 mm
 Storage case
 Operating instructions
Article No. 352 200 005

TIOS ER15 Control battery-operated rivet installation tool
 Scope of delivery as Article No. 352 200 006
 but with load-displacement monitoring
Article No. 352 200 011

TIOS ER15 Control battery-operated rivet installation tool
 Scope of delivery as Article No. 352 200 005
 but with load-displacement monitoring
Article No. 352 200 010



Working range - blind rivets

Rivet Ø [mm]	2.4	3.0/3.2	4.0	4.8/5.0	6.0*	6.4
Aluminium, copper		•	•	•	•	•
Steel		•	•	•	•	•
Stainless steel		•	•	•	•	•

* Not suitable for cup-type blind rivets.

Optional product enhancements

Description	Article No.
Radio module (WIFI 2.4 GHz and 5 GHz, Zigbee 2.4 GHz)	On request
Barcode reader (for program settings or to identify parts)	On request

Working range - high-strength blind rivets

Fastener	TIBULB			TIBULB Plus	HUCKLOK	Magna-Lok/ M-Lock			TIFAS M-Bolt		Magna-Bulb			BOM						
	[mm]	[mm]	[mm]	[mm]	[mm]	[mm]	[mm]	[mm]	[mm]	[mm]	[mm]	[mm]	[mm]	[mm]	[mm]	[mm]				
	4.8	6.4	7.8	6.4	6.4	4.8	6.4	9.5	4.8	6.4	4.8	6.4	7.8	4.8	6.4	7.8	9.5	12.7	15.9	19.1
Aluminium	•	•				•	•		•	•										
Steel	•	•			•	•	•		•	•	•	•								
Stainless steel	•	•				•	•		•	•										

HUCK®, MAGNA-BULB®, BOM®, HUCKTAINER®, C50L®, HUCKBOLT®, HUCKLOK®, MAGNA-LOK® are registered trademarks of Huck International Inc.

Batteries and chargers

Description	Article No.
TIOS LI01825 insertable battery, 2.5 Ah	352 200 905
TIOS LI01850 insertable battery, 5.0 Ah	352 200 904
TIOS LI02830 single charger	352 200 910
TIOS LI02830-4 multi-charger, 4 charging points	352 200 911
TIOS LI02830-8 multi charger, 8 charging points	352 200 912

Spare parts / Consumables

Description	Article No.
Set of jaws	326 583 002
Jaw case	352 200 110
Nose piece 4.0 mm	352 200 104
Nose piece 4.8 / 5.0 mm	352 200 105
Nose piece 6.0 mm	352 200 106
Nose piece 6.5 mm	352 200 107

Optional accessories

Description	Article No.
Fixing kit, complete	352 200 921

“Pro” rivet-holding nose pieces

Description	Article No.
Rivet-holding nose piece 3.0 mm	352 200 950
Rivet-holding nose piece 4.0 mm	352 200 951
Rivet-holding nose piece 5.0 mm	352 200 952
Rivet-holding nose piece 6.0 mm	352 200 953
Rivet-holding nose piece 6.5 mm	352 200 954

Fitted with a safety mechanism for longer tool life.

Special fittings for installing special rivets

Description	Article No.
Nose piece, 6.4 mm, “concave” ¹	431 502 000
Set of jaw cases ¹	431 821 870
Nose piece for TIFAS folding leg rivets 4.0 mm	352 200 960
Nose piece for TIFAS folding leg rivets 5.2 mm	352 200 961
Nose piece for TIFAS folding leg rivets 6.4 mm	352 200 962
Nose piece for 6.4 mm monobolts	352 200 963
Nose piece, 3.0 mm, incl. reducing bush	352 200 103

¹ e.g. for installing Hemlok blind rivets

Q-Tool® R50

Battery-operated rivet installation tool for 2.4 mm - 5.0 mm standard and cup-type blind rivets

Benefits at a glance

- Good balance between weight, size and battery capacity
- Only 1.67 kg, battery included
- LED lamp to illuminate work area
- USB port on battery for charging a wide variety of devices
- Excellent price-to-performance ratio
- Installs up to 650 blind rivets per battery charge

Technical specifications

Stroke:	21 mm
Insertion force:	9 kN
Length:	290 mm
Width:	255 mm
Weight:	1.67 kg incl. battery (1.5 Ah)

Scope of delivery

Q-Tool R50 battery-operated rivet installation tool
 18V charger
 1x 18.0 V / 1.5 Ah insertable battery
 Nose pieces: 2.4, 3.2, 4.0, 5.0 mm
 Storage case
 Adjusting wrench
 Operating manual
 Article No. 329 055 000

Working range

Rivet Ø [mm]	2.4	3.0/3.2	4.0	4.8/5.0	6.0	6.4
Aluminium, copper	•	•	•	•		
Steel	•	•	•	•		
Stainless steel	•	•	•	•		

Spare parts

Description	Article No.
Nose piece 2.4 mm	329 055 101
Nose piece 3.0 - 3.2 mm	329 055 102
Nose piece 4.0 mm	329 055 103
Nose piece 4.8 - 5.0 mm	329 055 104
Jaws	329 055 105
Jaw case	329 055 107

Batteries and charger

Description	Article No.
1.5 Ah Li-ion Q-TOOL R50 battery	329 055 900
3.0 Ah Li-ion Q-TOOL R50 battery	329 055 901
Q-TOOL R50 charger	329 055 910



POP® PB2500

Battery-operated rivet tool for installing 3.0 mm to 4.8 mm blind rivets

Benefits at a glance

- Cordless tool for maximum mobility, prevents injury
- Exceptionally high installation speed
- Brushless DC motor (BLDC)
- Up to 900 installations / battery charge (test performed using St/St 4.8 mm blind rivets and 1.5 Ah battery)
- Super-fast charging of 2.0 Ah battery in 30 minutes
- 25 mm stroke at 8.5 kN for numerous applications
- Powerful 18V lithium-ion battery for superior performance (DeWalt compatible)
- Battery status indicator
- No memory effect
- Lightweight: just 1.7 kg incl. 2.0 Ah battery

Technical specifications

Stroke:	25.0 mm
Insertion force:	8.5 kN
Motor:	18.0 Volt brushless DC motor
Length:	320 mm
Height:	240 mm
Nose cap ø:	20.6 mm
Nose cap length:	47.0 mm
Weight:	1.7 kg with battery (2.0 Ah)

Scope of delivery

POP PB2500 battery-operated rivet installation tool
 18.0 V charger
 18.0 V / 2.0 Ah insertable battery
 Nose pieces: 3.0 / 3.2 mm; 4.0 mm; 4.8 / 5.0 mm
 Storage case
 Operating instructions
Article No. 329 500 002

Working range

Rivet Ø [mm]	2.4	3.0/3.2*	4.0	4.8/5.0	6.0	6.4
Aluminium, copper, brass		•	•	•		
Steel		•	•	•		
Stainless steel		•	•	•		

* Not suitable for cup-type blind rivets.

Batteries and chargers

Description	Article No.
18V 2.0 Ah PB2500/3400 battery pack	329 500 963
18V 3.0 Ah PB2500/3400 battery pack	329 500 964
PB2500/3400 charger	329 500 959



Spare parts / Consumables

Description	Article No.
Rivet-holding nose piece 4 (3.2 mm - 1/8")	329 500 102
Rivet-holding nose piece 5 (4.0 mm - 5/32")	329 500 103
Rivet-holding nose piece 6 (4.8 mm - 1/16")	329 500 101
Jaw slider 4 (3.2 mm - 1/8")	329 500 112
Jaw slider 5 (4.0 mm - 5/32")	329 500 113
Jaw slider 6 (4.8 mm - 1/16")	329 500 111
Jaw case	329 500 109
Jaws, 3-piece	329 500 108
Jaw spring	329 500 114
Slide bearing for container lid	329 500 136
Container lid	329 500 139
Nose cap	329 500 909

Optional accessories

Description	Article No.
Fixing kit for balancer	329 500 972

"Pro" rivet-holding nose pieces

Description	Article No.
Rivet-holding nose piece 4 (3.2 mm)	329 500 980
Rivet-holding nose piece 5 (4.0 mm)	329 500 981
Rivet-holding nose piece 6 (4.8 mm)	329 500 982

Fitted with a safety mechanism for longer tool life.

Special fittings for installing special rivets

Description	Article No.
Jaws recommended for 3.2 and 4.0 stainless steel rivets	329 500 970
Jaw slider for stainless steel rivets	329 500 971

POP® PB3400

Battery-operated rivet tool for installing 4.8 mm to 6.4 mm blind rivets

Benefits at a glance

- Cordless tool for maximum mobility, prevents injury
- Exceptionally high installation speed
- Brushless DC motor (BLDC)
- Up to 1000 installations / battery charge (test performed using 6.4 mm blind rivets and 4.0 Ah battery)
- Super-fast charging of 2.0 Ah battery in 30 minutes
- 30 mm stroke at 18 kN for numerous applications
- Powerful 18V lithium-ion battery for superior performance (DeWalt compatible)
- Battery status indicator
- No memory effect
- Lightweight: just 2.1 kg incl. 2.0 Ah battery

Technical specifications

Length:	336 mm
Height:	255 mm (2.0 Ah) 275 mm (4.0 Ah)
Stroke:	30 mm
Insertion force:	18 kN
Motor:	high-performance brushless motor
Weight:	2.10 kg incl. 2.0 Ah battery 2.42 kg incl. 4.0 Ah battery
Battery:	DEWALT 18V XR Li-ion 2.0 Ah battery pack DEWALT 18V XR Li-ion 4.0 Ah battery pack
Charger:	DEWALT DCB115 rapid charger
Charging time:	30 minutes (2.0 Ah)
Charging time:	60 minutes (4.0 Ah)

Scope of delivery

- POP PB3400 battery-operated rivet installation tool
- 2 batteries
- 1 charger
- Nose piece \varnothing 6.4 mm
- Operating instructions
- Adjusting wrench
- Storage case
- Article No. 329100000 (4.0 Ah battery pack)
- 329100005 (2.0 Ah battery pack)
- 329100010 (4.0 Ah battery pack) UK version



Working range

Rivet Ø [mm]	2.4*	3.0/3.2	4.0	4.8/5.0	6.0	6.4
Aluminium, copper, brass				•	•	•
Steel				•	•	•
Stainless steel				•	•	•

Working range - high-strength blind rivets

Fastener	TIBULB			TIBULB Plus	HUCKLOK	Magna-Lok/ M-Lock			TIFAS M-Bolt		Magna-Bulb			BOM							
	[mm]			[mm]	[mm]	[mm]			[mm]		[mm]			[mm]							
	4.8	6.4	7.8	6.4	6.4	4.8	6.4	9.5	4.8	6.4	4.8	6.4	7.8	4.8	6.4	7.8	9.5	12.7	15.9	19,1	
Aluminium	•	•		•	•	•	•		•	•	•	•									
Steel	•	•		•	•	•	•		•	•	•	•									
Stainless steel	•	•		•	•	•	•		•	•	•	•									

Spare parts / Consumables

Description	Article No.
Jaws	328 250 001
Jaw case	328 701 000
Jaw slider 8K	329 100 110
Jaw spring	329 100 115
Fixing kit for balancer	329 500 972

Batteries and charger

Description	Article No.
18V 2.0 Ah PB2500 / 3400 battery	329 500 963
18V 4.0 Ah PB2500 / 3400 battery	329 500 964
PB2500 / 3400 charger	329 500 959

RL 12

Hydropneumatic tool for installing 2.4 mm to 5.0 mm blind rivets

Benefits at a glance

- Low-weight
- Exceptionally ergonomic
- Transparent spent mandrel container
- Replacement nose pieces on base of tool
- Air supply fittable on left or right
- Fast installation speed

Technical specifications

Stroke:	14.0 mm
Insertion force:	8.0 kN at 6 bar
Installation force/Weight ratio:	5.7 kN/kg
Air consumption per installed rivet:	approx. 2.0 l / blind rivet
Connection pressure:	5 - 7 bar
Air supply:	ø 6 mm (G1/4")
Weight:	1.4 kg

Scope of delivery

RL12 rivet installation tool
 Nose pieces: 3.0 / 3.2 mm; 4.0 mm; 4.8 / 5.0 mm
 Oil injector
 Angled air supply
 Operating instructions
Article No. 431 180 000

Working range

Rivet Ø [mm]	2.4*	3.0/3.2	4.0	4.8/5.0	6.0	6.4
Aluminium, copper	•	•	•	•		
Steel	•	•	•	•		
Stainless steel	•	•	•	•		

* Not suitable for cup-type blind rivets.

Spare parts / Consumables

Description	Article No.
Nose piece 2.4 mm	431 451 870
Nose piece 3.0 / 3.2 mm	431 303 870
Nose piece 4.0 mm	431 304 870
Nose piece 4.8 / 5.0 mm	431 305 870
Jaws, 3-piece set	431 455 002



RL 15A

Hydropneumatic tool for installing 2.4 mm - 5.0 mm blind rivets, long stroke

Benefits at a glance

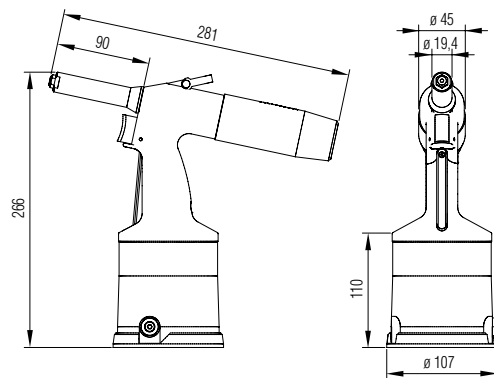
- Tool with long stroke for installing rivets with a large grip range or for soft materials
- Cost-saving - spent mandrel extractor triggers when the tool is picked up by its handle
- Low-noise
- Easy to use; requires little maintenance
- Air supply fittable on left or right
- Replacement nose piece retainer on base of tool
- Safety valve prevents operating pressure overload
- Reliable and tried-and-tested

Technical specifications

Stroke:	21.0 mm
Insertion force:	9.5 kN at 6 bar
Installation force/Weight ratio:	5.6 kN/kg
Air consumption:	approx. 2 l / blind rivet
Connection pressure:	5 - 7 bar
Air supply:	ø 6 mm (G1/4")
Weight:	1.6 kg

Scope of delivery

RL 15A rivet installation tool
 Nose pieces: 2.4 mm; 3.0 / 3.2 mm; 4.0 mm; 4.8 / 5.0 mm
 Oil refill set
 Angled air supply
 Operating instructions
 Article No. 431 410 200



Working range

Rivet Ø [mm]	2.4*	3.0/3.2	4.0	4.8/5.0	6.0	6.4
Aluminium, copper, brass	•	•	•	•		
Steel	•	•	•	•		
Stainless steel	•	•	•	•		

* Not suitable for cup-type blind rivets.

Spare parts / Consumables

Description	Article No.
Nose piece 2.4 mm	431 451 870
Nose piece 3.0 / 3.2 mm	431 303 870
Nose piece 4.0 mm	431 304 870
Nose piece 4.8 / 5.0 mm	431 305 870
Jaws, 3-piece set	431 455 002

Optional accessories

Description	Article No.
Jaws for stainless steel flat head rivets	431 455 001
Extra-long nose cap 200 mm	431 204 870
Nose cap, ø 17 mm	431 221 870
Extra-long nose cap 200 mm / ø 17 mm	431 222 870
Hydraulic oil 1 l	460 299 870

RL 20A

Hydropneumatic tool for installing 2.4 mm to 5.0 mm blind rivets

Benefits at a glance

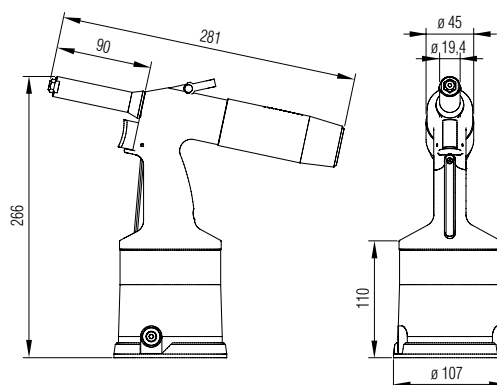
- Cost-saving – spent mandrel extractor triggers when the tool is picked up by its handle
- Low-noise
- Easy to use; requires little maintenance
- Air supply fittable on left or right
- Air volume settings for spent mandrel extractor located on detachable spent mandrel container
- Replacement nose piece retainer on base of tool
- Safety valve prevents operating pressure overload
- Reliable and tried-and-tested

Technical specifications

Stroke:	16.0 mm
Insertion force:	13.0 kN at 6 bar
Installation force/Weight ratio:	8.1 kN/kg
Air consumption:	approx. 2 l / blind rivet
Connection pressure:	5 – 7 bar
Air supply:	ø 6 mm (G1/4")
Weight:	1.6 kg

Scope of delivery

RL 20A rivet installation tool
 Nose pieces: 2.4 mm; 3.0 / 3.2 mm; 4.0 mm; 4.8 / 5.0 mm
 Oil refill set
 Angled air supply
 Operating instructions
 Article No. 431 450 650



Working range

Rivet Ø [mm]	2.4*	3.0/3.2	4.0	4.8/5.0	6.0	6.4
Aluminium, copper, brass	•	•	•	•		
Steel	•	•	•	•		
Stainless steel	•	•	•	•		

* Not suitable for cup-type blind rivets.

Spare parts / Consumables

Description	Article No.
Nose piece 2.4 mm	431 451 870
Nose piece 3.0 / 3.2 mm	431 303 870
Nose piece 4.0 mm	431 304 870
Nose piece 4.8 / 5.0 mm	431 305 870
Jaws, 3-piece set	431 455 002

Optional accessories

Description	Article No.
Jaws for stainless steel flat head rivets	431 455 001
Extra-long nose cap 200 mm	431 204 870
Nose cap, ø 17 mm	431 221 870
Extra-long nose cap 200 mm / ø 17 mm	431 222 871
Hydraulic oil 1 l	460 299 870
Inductive ring sensor	431 357 000

RL 40I

Hydropneumatic tool for installing 4.0 mm - 6.4 mm blind rivets

Benefits at a glance

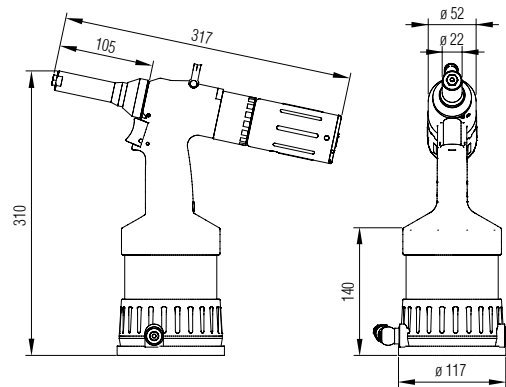
- Tool-less alternating jaws system
- Infinitely adjustable mandrel extractor
- Low-noise
- Easy to use; requires little maintenance
- Air supply fittable on left or right
- Quick-release mandrel container
- Replacement nose piece retainer on base of tool
- Safety valve prevents operating pressure overload
- Reliable and tried-and-tested

Technical specifications

Stroke:	14.0 mm
Insertion force:	14.7 kN at 6 bar
Installation force/Weight ratio:	7.4 kN/kg
Air consumption:	approx. 2 l / blind rivet
Connection pressure:	5 - 7 bar
Air supply:	ø 6 mm (G1/4")
Weight:	2.0 kg

Scope of delivery

RL 40I rivet installation tool
 Nose pieces: 4.0 mm; 4.8 / 5.0 mm; 6.0 mm; 6.4 mm
 Oil refill set
 Angled air supply
 Operating instructions
 Article No. 431 299 300



Working range

Rivet Ø [mm]	2.4	3.0/3.2	4.0	4.8/5.0	6.0	6.4
Aluminium, copper			•	•	•	•
Steel			•	•	•	•
Stainless steel			•	•	•	•

Optional accessories

Description	Article No.
Inductive ring sensor	431 784 000
Hydraulic oil 1 l	460 299 870

Spare parts / Consumables

Description	Article No.
Nose piece 4.0 mm	431 504 870
Nose piece 4.8 / 5.0 mm	431 505 870
Nose piece 6.0 mm	431 506 870
Nose piece 6.4 mm	431 507 870
Jaws, 3-piece set	326 583 002

Working range - high-strength blind rivets

Fastener	TIBULB			TIBULB Plus	HUCKLOK	Magna-Lok/ M-Lock			TIFAS M-Bolt		Magna-Bulb			BOM							
	[mm]	[mm]	[mm]	[mm]	[mm]	[mm]	[mm]	[mm]	[mm]	[mm]	[mm]	[mm]	[mm]	[mm]	[mm]	[mm]					
	4.8	6.4	7.8	6.4	6.4	4.8	6.4	9.5	4.8	6.4	4.8	6.4	7.8	4.8	6.4	7.8	9.5	12.7	15.9	19.1	
Aluminium	•								•												
Steel	•				•				•												
Stainless steel	•								•												

HUCK®, MAGNA-BULB®, BOM®, HUCKTAINER®, C50L®, HUCKBOLT®, HUCKLOK®, MAGNA-LOK® are registered trademarks of Huck International Inc.

Titgemeyer/10056EN0121/1

RL 60I

Hydropneumatic tool for installing 4.0 mm - 6.4 mm blind rivets, long stroke

Benefits at a glance

- Tool-less alternating jaws system
- New valve control for faster installation speeds
- Large stroke and high installation force
- Infinitely adjustable mandrel extractor
- Easy to use; requires little maintenance
- Air supply fittable on left or right
- Quick-release mandrel container
- Replacement nose piece retainer on base of tool
- No tools required to replace the pulling unit
- Safety valve prevents operating pressure overload
- Reliable and tried-and-tested

Technical specifications

Stroke:	26.0 mm
Insertion force:	18.2 kN at 6 bar
Installation force/Weight ratio:	7.0 kN/kg
Air consumption:	approx. 4.8 l / blind rivet
Connection pressure:	5 - 7 bar
Air supply:	ø 6 mm (G1/4")
Weight:	2.6 kg

Scope of delivery

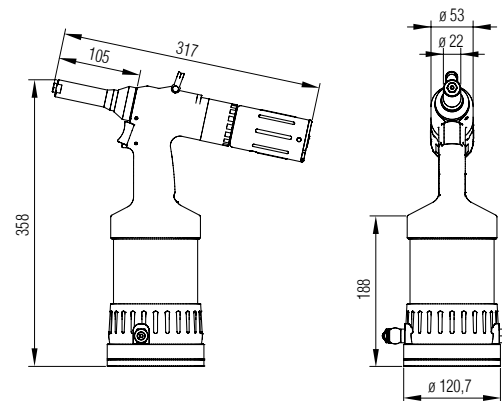
RL 60I rivet installation tool
 Nose pieces: 4.0 mm; 4.8 / 5.0 mm; 6.0 mm; 6.4 mm
 Oil refill set
 Angled air supply
 Operating instructions
 Article No. 431 500 700

Working range

Rivet Ø [mm]	2.4	3.0/3.2	4.0	4.8/5.0	6.0	6.4
Aluminium, copper			•	•	•	•
Steel			•	•	•	•
Stainless steel			•	•	•	•

Spare parts / Consumables

Description	Article No.
Nose piece 4.0 mm	431 504 870
Nose piece 4.8 / 5.0 mm	431 505 870
Nose piece 6.0 mm	431 506 870
Nose piece 6.4 mm	431 507 870
Jaws, 3-piece set	326 583 002



Optional accessories

Description	Article No.
Inductive ring sensor	431 784 000
Hydraulic oil 1 l	460 299 870

Working range - high-strength blind rivets

Fastener	TIBULB			TIBULB Plus	HUCKLOK	Magna-Lok/ M-Lock			TIFAS M-Bolt		Magna-Bulb			BOM						
	[mm]			[mm]	[mm]	[mm]			[mm]		[mm]			[mm]						
	4.8	6.4	7.8	6.4	6.4	4.8	6.4	9.5	4.8	6.4	4.8	6.4	7.8	4.8	6.4	7.8	9.5	12.7	15.9	19.1
Aluminium	•					•	•		•	•										
Steel	•	(•)*		(•)*	•	•	•		•	•	•	•								
Stainless steel	•								•	•	•	•								

* Can be used if tool is retrofitted with jaw case retrofit kit 431 821 870 and nose piece 431 502 870.

RL 60IHV

Hydropneumatic tool for installing 4.8 mm - 6.4 mm high-strength blind rivets, long stroke

Benefits at a glance

- For installing high-strength blind rivets
- Tool-less alternating jaws system
- New valve control for faster installation speeds
- Large stroke and high installation force
- Infinitely adjustable mandrel extractor
- Easy to use; requires little maintenance
- Air supply fittable on left or right
- Quick-release mandrel container
- Replacement nose piece retainer on base of tool
- Safety valve prevents operating pressure overload
- Reliable and tried-and-tested

Technical specifications

Stroke:	26.0 mm
Insertion force:	18.2 kN at 6 bar
Installation force/Weight ratio:	7.0 kN/kg
Air consumption:	approx. 4.8 l / blind rivet
Connection pressure:	5 - 7 bar
Air supply:	ø 6 mm (G1/4")
Weight:	2.6 kg

Scope of delivery

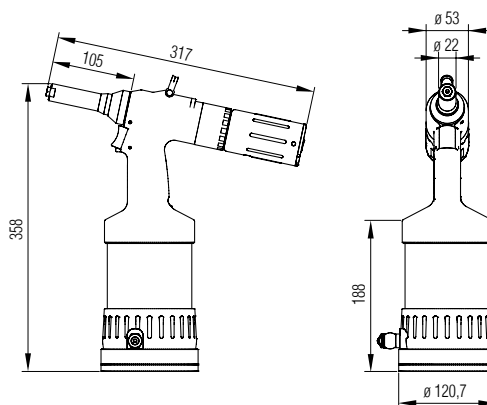
RL 60IHV rivet installation tool
 Nose pieces: 4.8 / 5.0 mm; 6.4 mm
 Oil refill set
 Angled air supply
 Operating instructions
 Article No. 431 500 020

Working range

Rivet Ø [mm]	2.4	3.0/3.2	4.0	4.8/5.0	6.0	6.4
Aluminium, copper				•	•	•
Steel				•	•	•
Stainless steel				•	•	•

Spare parts / Consumables

Description	Article No.
Nose piece 4.8 / 5.0 mm	431 505 870
Nose piece 6.0 mm	431 506 870
Nose piece 6.4 mm	431 507 870
Nose piece 6.4 mm for TIBULB and TIBULB Plus blind rivets	431 502 870
Jaws, 3-piece set	431 561 000



Optional accessories

Description	Article No.
Inductive ring sensor	431 784 000
Hydraulic oil 1 l	460 299 870

Working range - high-strength blind rivets

Fastener	TIBULB [mm]			TIBULB Plus [mm]	HUCKLOK [mm]	Magna-Lok/ M-Lock [mm]			TIFAS M-Bolt [mm]		Magna-Bulb [mm]			BOM [mm]						
	4.8	6.4	7.8	6.4	6.4	4.8	6.4	9.5	4.8	6.4	4.8	6.4	7.8	4.8	6.4	7.8	9.5	12.7	15.9	19.1
Aluminium	•	•		•					•	•	•	•								
Steel	•	•		•	•	•	•	•	•	•	•	•	•							
Stainless steel	•	•		•					•	•	•	•								

POP® / AVDEL® ProSet® XT1

Hydropneumatic tool for installing 2.4 mm - 4.0 mm blind rivets

Benefits at a glance

- Compact, lightweight and reliable
- High force-to-weight ratio
- Innovative ergonomic design
- Vacuum system retains and collects the rivets
- Spent mandrel container with rapid change system for easy emptying
- Very modern lip seal increases stability
- Very latest piston seal technology for maximum sturdiness

Technical specifications

Stroke:	18.0 mm
Insertion force:	6.50 kN at 5.5 bar
Installation force/Weight ratio:	5.55 kN/kg
Air consumption:	approx. 1.5 l
Connection pressure:	5 – 7 bar
Air supply:	ø 6 mm (G1/4")
Weight:	1.17 kg

Scope of delivery

1 ProSet XT1 rivet installation tool
 1 set of nose pieces
 2.4 mm, 3.2 mm, 4.0 mm
 Operating instructions
 Article No. 347 100 000

Working range

Rivet Ø [mm]	2.4	2.8/3.0/3.2	4.0	4.8/5.0	6.0	6.4
Aluminium, copper	•	•	•			
Steel	•	•	•			
Stainless steel	•	•	•			

Spare parts / Consumables

Description	Article No.
Nose piece 2.4 mm	328 619 000
Nose piece 3.2 mm	328 301 000
Nose piece 4.0 mm	328 302 000
Jaws	328 305 001
Jaw slider	347 100 100



POP® / AVDEL® ProSet® XT2

Hydropneumatic tool for installing 3.0 mm - 5.0 mm blind rivets

Benefits at a glance

- Flexible, fast and reliable
- Very high force-to-weight ratio
- Innovative ergonomic design
- Vacuum system retains and collects the rivets
- Spent mandrel container with rapid change system for easy emptying
- Very modern lip seal increases stability
- Very latest piston seal technology for maximum sturdiness

Technical specifications

Stroke:	20.00 mm
Insertion force:	8.90 kN at 5.5 bar
Installation force/Weight ratio:	7.06 kN/kg
Air consumption:	approx. 2.2 l
Connection pressure:	5 – 7 bar
Air supply:	ø 6 mm (G1/4")
Weight:	1.26 kg

Scope of delivery

1 ProSet XT2 rivet installation tool
 1 set of nose pieces
 3.2 mm, 4.0 mm, 4.8 mm
 Operating instructions
 Article No. 347 200 000

Working range

Rivet Ø [mm]	2.4	2.8/3.0/3.2	4.0	4.8/5.0	6.0	6.4
Aluminium, copper		•	•	•		
Steel		•	•	•		
Stainless steel		•	•	•		

Spare parts / Consumables

Description	Article No.
Nose piece 3.2 mm	328 301 000
Nose piece 4.0 mm	328 302 000
Nose piece 4.8 mm	328 242 000
Jaws	329 500 108
Jaw slider	347 200 100

Working range - high-strength blind rivets

Fastener	TIBULB			TIBULB Plus	HUCKLOK	Magna-Lok/ M-Lock			TIFAS M-Bolt		Magna-Bulb			BOM						
	[mm]	[mm]	[mm]	[mm]	[mm]	[mm]	[mm]	[mm]	[mm]	[mm]	[mm]	[mm]	[mm]	[mm]	[mm]	[mm]				
	4.8	6.4	7.8	6.4	6.4	4.8	6.4	9.5	4.8	6.4	4.8	6.4	7.8	4.8	6.4	7.8	9.5	12.7	15.9	19.1
Aluminium									•											
Steel									•											
Stainless steel									•											

HUCK®, MAGNA-BULB®, BOM®, HUCKTAINER®, C50L®, HUCKBOLT®, HUCKLOK®, MAGNA-LOK® are registered trademarks of Huck International Inc.

Titgemeyer/10056EN0121/1



POP® / AVDEL® ProSet® XT3

Hydropneumatic tool for installing 4.0 mm - 6.4 mm blind rivets, high-speed stroke

Benefits at a glance

- Very versatile use for a wide range of fasteners
- Large stroke for installing high-strength blind rivets
- Innovative ergonomic design
- Vacuum system retains and collects the rivets
- Spent mandrel container with rapid change system for easy emptying
- Very modern lip seal increases stability
- Very latest piston seal technology for maximum sturdiness



Technical specifications

Stroke:	26.00 mm
Insertion force:	17.00 kN at 5.5 bar
Installation force/Weight ratio:	7.94 kN/kg
Air consumption:	approx. 6.3 l
Connection pressure:	5 – 7 bar
Air supply:	ø 6 mm (G1/4")
Weight:	2.14 kg

Scope of delivery

- 1 ProSet XT3 rivet installation tool
 - 1 set of nose pieces
 - 4.0 mm, 4.8 mm, 6.4 mm
 - Operating instructions (1 printed version) – depending on region
- Article No. 347 300 000**

Working range

Rivet Ø [mm]	2.4	2.8/3.0/3.2	4.0	4.8/5.0	6.0	6.4
Aluminium, copper			•	•	•	•
Steel			•	•	•	•
Stainless steel			•	•	•	•

Spare parts / Consumables

Description	Article No.
Nose piece 4.0 mm	328 302 000
Nose piece 4.8 mm	328 242 000
Nose piece 6.4 mm	328 243 000
Nose piece for 6.4 mm TIFAS® M-Bolt	342 040 240
Nose piece for 6.4 mm TIBULB®	342 060 120
Jaws	328 250 001
Jaw slider	328 707 000
Special nose piece assembly	347 300 101

Working range - high-strength blind rivets

Fastener	TIBULB®			TIBULB® Plus	HUCKLOK	Magna-Lok/ M-Lock			TIFAS® M-Bolt		Magna-Bulb			BOM							
	[mm]	[mm]	[mm]	[mm]	[mm]	[mm]	[mm]	[mm]	[mm]	[mm]	[mm]	[mm]	[mm]	[mm]	[mm]	[mm]					
	4.8	6.4	7.8	6.4	6.4	4.8	6.4	9.5	4.8	6.4	4.8	6.4	7.8	4.8	6.4	7.8	9.5	12.7	15.9	19.1	
Aluminium	•	•*			•	•	•		•	•*	•	•									
Steel	•	•*			•	•	•		•	•*	•	•									
Stainless steel	•	•*			•	•	•		•	•*	•	•									

* Requires special nose piece assembly 347 300 101 and special nose piece.

POP® / AVDEL® ProSet® XT4

Hydropneumatic tool for installing 4.0 mm - 6.4 mm blind rivets

Benefits at a glance

- Highest tensile force in its class
- High force-to-weight ratio
- High-strength piston rod for maximum service life
- Innovative ergonomic design
- Vacuum system retains and collects the rivets
- Spent mandrel container with rapid change system for easy emptying
- Very modern lip seal increases stability
- Very latest piston seal technology for maximum sturdiness

Technical specifications

Stroke:	18.00 mm
Insertion force:	23.00 kN at 5.5 bar
Installation force/Weight ratio:	10.65 kN/kg
Air consumption:	approx. 6.3 l
Connection pressure:	5 – 7 bar
Air supply:	ø 6 mm (G1/4")
Weight:	2.16 kg



Scope of delivery

- 1 ProSet XT4 rivet installation tool
- 1 set of nose pieces
- 4.0 mm, 4.8 mm, 6.4 mm
- Operating instructions
- Article No. 347 400 000

Working range

Rivet Ø [mm]	2.4	2.8/3.0/3.2	4.0	4.8/5.0	6.0	6.4
Aluminium, copper			•	•	•	•
Steel			•	•	•	•
Stainless steel			•	•	•	•

Spare parts / Consumables

Description	Article No.
Nose piece 4.0 mm	328 302 000
Nose piece 4.8 mm	328 242 000
Nose piece 6.4 mm	328 243 000
Nose piece for 6.4 mm TIFAS® M-Bolt	342 040 240
Nose piece for 6.4 mm TIBULB®	342 060 120
Nose piece for 6.4 mm TIBULB® Plus	347 300 139
Jaws	328 250 001
Jaws for 6.4 mm TIBULB® Plus	431 561 000
Jaw slider	328 707 000
Special nose piece assembly	347 300 101

Working range - high-strength blind rivets

Fastener	TIBULB			TIBULB Plus	HUCKLOK	Magna-Lok/ M-Lock			TIFAS M-Bolt		Magna-Bulb			BOM							
	[mm]	[mm]	[mm]	[mm]	[mm]	[mm]	[mm]	[mm]	[mm]	[mm]	[mm]	[mm]	[mm]	[mm]	[mm]	[mm]					
	4.8	6.4	7.8	6.4	6.4	4.8	6.4	9.5	4.8	6.4	4.8	6.4	7.8	4.8	6.4	7.8	9.5	12.7	15.9	19.1	
Aluminium	•	•*		•**	•	•	•		•	•*	•	•									
Steel	•	•*		•**	•	•	•		•	•*	•	•									
Stainless steel	•	•*		•**	•	•	•		•	•*	•	•									

* Requires special nose piece assembly 347 300 101 and special nose piece.

** Special equipment required:

Retrofit components for TIBULB® Plus blind rivets

Nose piece for 6.4 mm TIBULB® Plus - Article No. 347 300 139

Special nose piece assembly - Article No. 347 300 101

Jaws for 6.4 mm TIBULB® Plus - Article No. 431 561 000

HUCK®, MAGNA-BULB®, BOM®, HUCKTAINER®, C50L®, HUCKBOLT®, HUCKLOK®, MAGNA-LOK® are registered trademarks of Huck International Inc.

Titgemeyer/10056EN0121/1

Blind rivet feeder RP-4, RP-5 and RP-6

The blind rivet feeder automatically feeds a blind rivet to the point of transfer. Insert the tool complete with nose cap far enough into the transfer station on the feeder until a blind rivet is automatically transferred to the tool's nose piece. The blind rivet is kept inside the tool by means of the vacuum created for the spent mandrel extractor. The one-hand operated tool is rational and increases work productivity because the component to be installed can also be held in place or replaced by hand during the installation process.

The blind rivet feeder requires a compressed air or electrical supply. It has the capacity to hold approx. 1000 blind rivets and fits onto any workbench due to its compact design.



Fill the container with approx. 1000 blind rivets (see filling mark)



Manually place 6 - 8 blind rivets into the runner on the feeder



Connect the electric or compressed air lines. The feeder is ready for operation

Standard features

Feeder	For rivet ϕ [mm]	Rivet shank length max. [mm]	Fill quantity max. [Quantity]	Electrical supply	Operating pressure [bar]	Dimensions L/B/H [mm]	Article No.
RP-4	2.8/3.0/3.2	12	1000	220 V/50 - 60 Hz/0.5 A	5 - 7	545/220/335	322 220 000
RP-5	4.0	12	800	220 V/50 - 60 Hz/0.5 A	5 - 7	545/220/335	322 221 000
RP-6	4.8	12	600	220 V/50 - 60 Hz/0.5 A	5 - 7	545/220/335	322 223 000

Adapter attachment - based on existing rivet tool, as required

Tool	Tool retainer (nose cap ϕ) [mm]	RP4 for rivet ϕ up to 3.2 mm Article No.	RP5 for rivet ϕ up to 4.0 mm Article No.	RP6 for rivet ϕ up to 4.8 mm Article No.
RL 20A	19.0	322 483 001	322 483 001	322 484 000
RL 20A AD 17	17.0	322 483 002	322 483 002	322 484 001
ProSet [®] XT1	17.3	322 475 000	322 475 000	322 478 000
ProSet [®] XT2	20.6	322 479 000	322 479 000	322 487 000
ProSet [®] XT3	22.4	322 482 000	322 482 000	322 486 000
ProSet [®] XT4	22.4	322 482 000	322 482 000	322 486 000

Attachment head

Attachment head for RL15A and RL20A

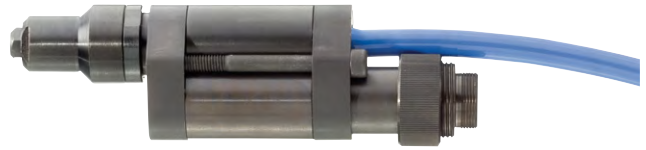
Benefits at a glance

- Tensile force of up to 10 kN
- With spent mandrel extractor

Technical specifications

Nose cap ø:	19.5 mm
Overall length:	approx. 160 mm
Weight:	approx. 0.8 kg
Article No.	431 837 000

Nose cap and nose available in special designs on request.

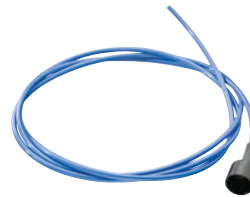


Mandrel remover

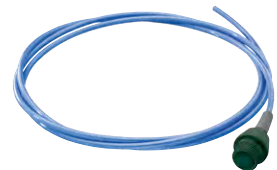
Features

- Hose length 4 m
- Extraction hose for blind rivet installation tools

For tool	Article No.
RL 20A	431 825 000
RL 40I / 60I / 60IHV / 75	431 826 000



431 825



431 826

Angled screw coupling

Benefits at a glance

- Usable for RL 40I / RL 60I / RL 60IHV and RL 75
- For confined spaces so that the spent mandrel container can be fitted at an angle

Article No. **431 701 000**



Ring sensor

Counts the extracted spent mandrels.

Benefits at a glance

- Retrofittable
- Hose adapter also available
- Readings via external counter
- Easy installation

Technical specifications

Supply voltage:	10 - 30 V DC
Output voltage:	10 - 30 V DC
Maximum output current:	80 mA
Standby current at 24V:	11 mA
Signal duration (min.):	500 ms
Operating temperature:	10 - 40 °C
Dimensions for 431 357 000:	118 x 53 mm
Dimensions for 431 826 000:	139 x 53 mm

Scope of delivery

For tool	Article No.
RL 20A	431 357 000
RL 40I / RL 60I / RL 60IHV	431 784 000

Connector for spent mandrel extraction by hose included with delivery.

Accessories

Description	Article No.
Adapter for spent mandrel extractor per hose	431 826 000
Mandrel container	431 356 870



Nose pieces/jaws/pulling jaws for cup-type blind rivets

for converting blind rivet installation tools for use with cup-type blind rivets*

Tool Model		Article No. for rivet diameter				
		3.2	4.0	4.8 / 5.0	6.0	6.4
TIOS 4	Nose piece	328 301 000	328 302 000			
	Jaws	326 706 000	326 706 000			
HR5	Nose piece	431 270 101	431 270 102	431 270 103		
	Jaws (set)	431 270 104	431 270 104	431 270 104		
HR64 PT	Nose piece	431 271 101	431 271 102	431 271 103	431 271 104	431 271 105
	Jaws (set)	431 271 111	431 271 111	431 271 111	431 271 111	431 271 111
TIOS ER15	Nose piece	352 200 103	352 200 104	352 200 105	352 200 106	352 200 107
	Jaws	326 583 002	326 583 002	326 583 002	326 583 002	326 583 002
Q-Tool R50	Nose piece	329 055 102	329 055 103	329 055 104		
	Jaws	329 055 105	329 055 105	329 055 105		
POP PB2500	Nose piece	328 303 000	328 304 000	328 246 000		
	Jaws	329 500 108	329 500 108	329 500 108		
RL12	Nose piece	431 303 870	431 304 870	431 305 870		
	Jaws	431 455 000	431 455 000	431 455 000		
RL15A	Nose piece	431 303 870	431 304 870	431 305 870		
	Jaws	431 455 000	431 455 000	431 455 000		
RL 20A	Nose piece	431 303 870	431 304 870	431 305 870		
	Jaws	431 455 000	431 455 000	431 455 000		
ProSet™ XT 1	Nose piece	328 303 000	328 304 000			
	Jaws	328 305 001	328 305 001			
RL 40I	Nose piece		431 504 870	431 505 870	431 506 870	431 507 870
	Jaws		326 583 002	326 583 002	326 583 002	326 583 002
ProSet™ XT 2	Nose piece	328 303 000	328 304 000	328 246 000		
	Jaws	329 500 108	329 500 108	329 500 108		
RL 60I	Nose piece		431 504 870	431 505 870	431 506 870	431 507 870
	Jaws		326 583 002	326 583 002	326 583 002	326 583 002
ProSet™ XT 3	Nose piece		328 302 000	328 242 000	328 243 000	328 243 000
	Jaws		328 250 001	328 250 001	328 250 001	328 250 001
ProSet™ XT 4	Nose piece		328 302 000	328 242 000	328 243 000	328 243 000
	Jaws		328 250 001	328 250 001	328 250 001	328 250 001

* Cup-type blind rivets have thinner mandrels than standard blind rivets. The hole diameters of the nose pieces shown have been optimised to allow installation of cup-type blind rivets.

Nose pieces/jaws/pulling jaws for standard blind rivets

for converting blind rivet installation tools to other rivet diameters

Tool Model		Article No. for rivet diameter				
		2.4	2.8	3.0	3.2	4.0
TIOS 4	Nose piece	328 303 000	328 301 000	328 301 000	328 301 000	328 302 000
	Jaws	326 706 000	326 706 000	326 706 000	326 706 000	326 706 000
HR5	Nose piece			431 270 101	431 270 101	431 270 102
	Jaws (set)			431 270 104	431 270 104	431 270 104
HR64 PT	Nose piece					431 271 102
	Jaws (set)					431271 111
TIOS ER15	Nose piece			352 200 103	352 200 103	352 200 104
	Jaws			326 583 002	326 583 002	326 583 002
Q-Tool R50	Nose piece	329 055 101	329 055 101	329 055 102	329 055 102	329 055 103
	Jaws	329 055 105	329 055 105	329 055 105	329 055 105	329 055 105
POP PB2500	Nose piece			329 500 102	329 500 102	329 500 103
	Jaws			329 500 108	329 500 108	329 500 108
RL12	Nose piece	431 451 870	431 303 870	431 303 870	431 303 870	431 304 870
	Jaws	431 455 000	431 455 000	431 455 000	431 455 000	431 455 000
RL15A	Nose piece	431 451 870	431 303 870	431 303 870	431 303 870	431 304 870
	Jaws	431 455 000	431 455 000	431 455 000	431 455 000	431 455 000
RL 20A	Nose piece	431 451 870	431 303 870	431 303 870	431 303 870	431 304 870
	Jaws	431 455 000	431 455 000	431 455 000	431 455 000	431 455 000
ProSet™ XT 1	Nose piece	328 619 000	328 301 000	328 301 000	328 301 000	328 302 000
	Jaws	328 305 001	328 305 001	328 305 001	328 305 001	328 305 001
RL 40I	Nose piece					431 504 870
	Jaws					326 583 002
ProSet™ XT 2	Nose piece		328 301 000	328 301 000	328 301 000	328 302 000
	Jaws		329 500 108	329 500 108	329 500 108	329 500 108
RL 60I	Nose piece					431 504 870
	Jaws					326 583 002
ProSet™ XT 3	Nose piece					328 302 000
	Jaws					328 250 001
ProSet™ XT 4	Nose piece					328 302 000
	Jaws					328 250 001

Nose pieces/jaws/pulling jaws for standard blind rivets

for converting blind rivet installation tools to other rivet diameters

Tool Model		Article No. for rivet diameter			
		4.8 / 5.0	6.0	6.4	8.0
TIOS 4	Nose piece				
	Jaws				
HR5	Nose piece	431 270 103			
	Jaws (set)	431 270 104			
HR64 PT	Nose piece	431 271 103	431 271 104	431 271 105	
	Jaws (set)	431 271 111	431 271 111	431 271 111	
TIOS ER15	Nose piece	352 200 105	352 200 106	352 200 106	352 200 107
	Jaws	326 583 002	326 583 002	326 583 002	326 583 002
Q-Tool R50	Nose piece	329 055 104			
	Jaws	329 055 105			
POP PB2500	Nose piece	329 500 101			
	Jaws	329 500 108			
RL12	Nose piece	431 305 870			
	Jaws	431 455 000			
RL15A	Nose piece	431 305 870			
	Jaws	431 455 000			
RL 20A	Nose piece	431 305 870			
	Jaws	431 455 000			
ProSet™ XT 1	Nose piece				
	Jaws				
RL 40I	Nose piece	431 505 870	431 506 870	431 507 870	431 508 870
	Jaws	326 583 002	326 583 002	326 583 002	326 583 002
ProSet™ XT 2	Nose piece	328 242 000			
	Jaws	329 500 108			
RL 60I	Nose piece	431 505 870	431 506 870	431 507 870	431 507 870
	Jaws	326 583 002	326 583 002	326 583 002	326 583 002
ProSet™ XT 3	Nose piece	328 242 000	328 243 000	328 243 000	
	Jaws	328 250 001	328 250 001	328 250 001	
ProSet™ XT 4	Nose piece	328 242 000	328 243 000	328 243 000	
	Jaws	328 250 001	328 250 001	328 250 001	

Copyright

All texts, images, technical documents and other information contained in this catalogue are subject to copyright held by Titgemeyer GmbH & Co. KG. Any reproduction or disclosure, whether as a copy or other form of duplication or use, is expressly prohibited without the prior consent of Titgemeyer GmbH & Co. KG.

Registered trademarks

The trademarks BÖRTI, GETO, GETO therm, GETOVAN, GTO, LockBolt, MEGA PORT, plasti van, PLYFIX, POLYSTIC, press-ti, RIEKO, RIV-TI, ROLL-TO, TIBOLT, TIBULB, TIFAS, TILA, TIOS and Titgemeyer are registered trademarks and the intellectual property of Titgemeyer GmbH & Co. KG.

Term of Delivery and Payment

All deliveries are carried out in compliance with our Terms of Delivery and Payment.

Limitation of liability

All technical data, performance descriptions, drawings, illustrations, measurements, weights or any other performance data, recommendations and guidelines contained in this catalogue and relating to the installation of parts that we supply are only binding if so expressly agreed. Moreover, the user is obliged at all times to check each individual use and decide whether the components that we supply can be used as needed.

We accept liability in the case of wilful intent, gross negligence and infringement of cardinal contractual duties as well as for errors in respect of express or implied representations. Notwithstanding this, any claims for compensation not explicitly agreed to in these terms and conditions are hereby excluded in the case of customers who are not consumers and, in the case of such customers, who are not consumers, at all events limited to the damage foreseeable at the time of concluding the contract as well as to the value of the delivered consignment. To the extent that our liability is excluded or limited, this shall extend accordingly to the personal liability of employees, legal representatives and vicarious agents. In all instances of gross negligence committed by vicarious agents, we shall solely be liable to customers, who are not consumers, to compensate for typically foreseeable damage. The statutory regulation governing the burden of proof shall remain unaffected. The aforementioned limitation of liability shall not apply to claims resulting from product liability, for damage resulting from injury to life, limb or health, or for damage to privately used property.

All technical specifications contained in this brochure are approximate and no guarantee is given as to their accuracy. Designs are subject to change.

About us

Titgemeyer Group is a leading fastening technology and transport technology group of companies with 15 sites across Europe. Steeped in tradition, the company develops, manufactures and sells more than 30,000 fastening elements, tools and vehicle components – in series and to customer specification.

Headquarters

Titgemeyer GmbH & Co. KG
Hannoversche Straße 97
49084 Osnabrück / DE

POB 4320
49033 Osnabrück / DE

T +49 541 5822-0
E info@titgemeyer.com
W titgemeyer.com



Sales locations

Gebr. Titgemeyer GmbH
Brunner Straße 77 - 79
1230 Wien / AT

T +43 (0) 1/6 67 90 40 - 0
E sales@titgemeyer.com
W titgemeyer.at

Titgemeyer CZ spol. s r. o.
U Vodárny 1506
397 01 Písek / CZ

T +420 382 2067 - 25
E sales@titgemeyer.com
W titgemeyercz.cz

Titgemeyer Polska sp. z o.o.
Cypriana Bazylika 17
98-200 Sieradz / PL

T +48 (0) 43 828 20 - 15
E sales@titgemeyer.com
W titgemeyer.pl

Titgemeyer Skandinavien A/S
Lunikvej 32
2670 Greve / DK

T +45 4360 0966
E info@titgemeyer.dk
W titgemeyer.dk

Titgemeyer Skandinavien A/S
Box 3218
550 03 Jönköping / SE

T +46 36 128350
E info@titgemeyer.se
W titgemeyer.se

Titgemeyer Turkey Baglanti Teknolojileri San. ve Tic. A.S.
Barbaros Mah. Is Merkezi No.1
Kat: 8 D.58

34746 Atasehir, Istanbul / TR

T +90 (0) 21 66 88 20 - 27
E sales@titgemeyer.com.tr
W titgemeyer.com.tr

Titgemeyer (UK) Limited
A2 Link One Industrial Park
George Henry Road
DY4 7BU Tipton / UK

T +44 (0) 1 21 5 57 97 - 77
E sales@titgemeyer.co.uk
W titgemeyer.co.uk

Production locations

Baker & Finmore Limited
199 Newhall Street
Birmingham, B3 1SN / UK

T +44 121 23 62 - 347
E info@bakfin.com
W bakfin.com

Titgemeyer GmbH & Co. KG Werk Lotte
Daimlerstraße 13 - 15
49504 Lotte / DE

T +49 5404 9666 - 0
E info@titgemeyer.com
W titgemeyer.com

RIEKO GmbH
Robert-Bosch-Straße 9
72124 Pliezhausen / DE

T +49 7127 9744 - 0
E info@rieko-web.com
W rieko-web.com

Titgemeyer Tools & Automation spol s.r.o.
U Vodárny 1506
397 01 Písek / CZ

T +42 382 2067 - 11
E info@rivetec.cz
W rivetec.cz

TS Gesellschaft für Transport- und Sicherungssysteme mbH
Haßlinghauser Straße 156
58285 Gevelsberg / DE

T +49 541 5822 - 900
E ts@cargocontrol.de
W wir-sind-ladungssicherung.de